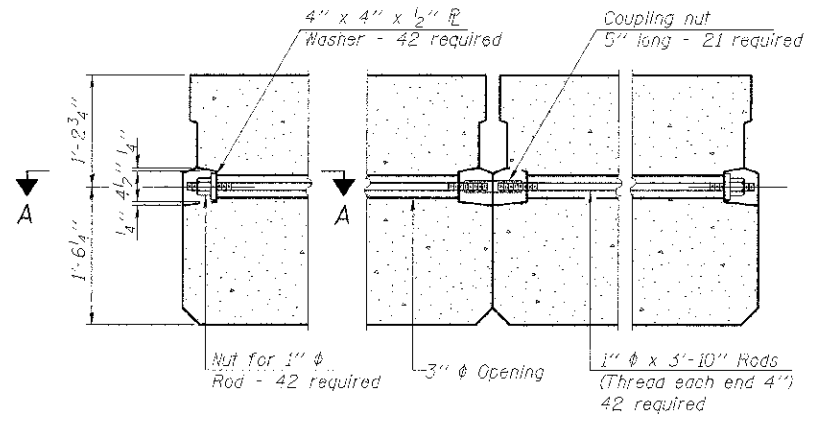


FABRIC BEARING PAD
(Interior) **FABRIC BEARING PAD**
(Exterior)

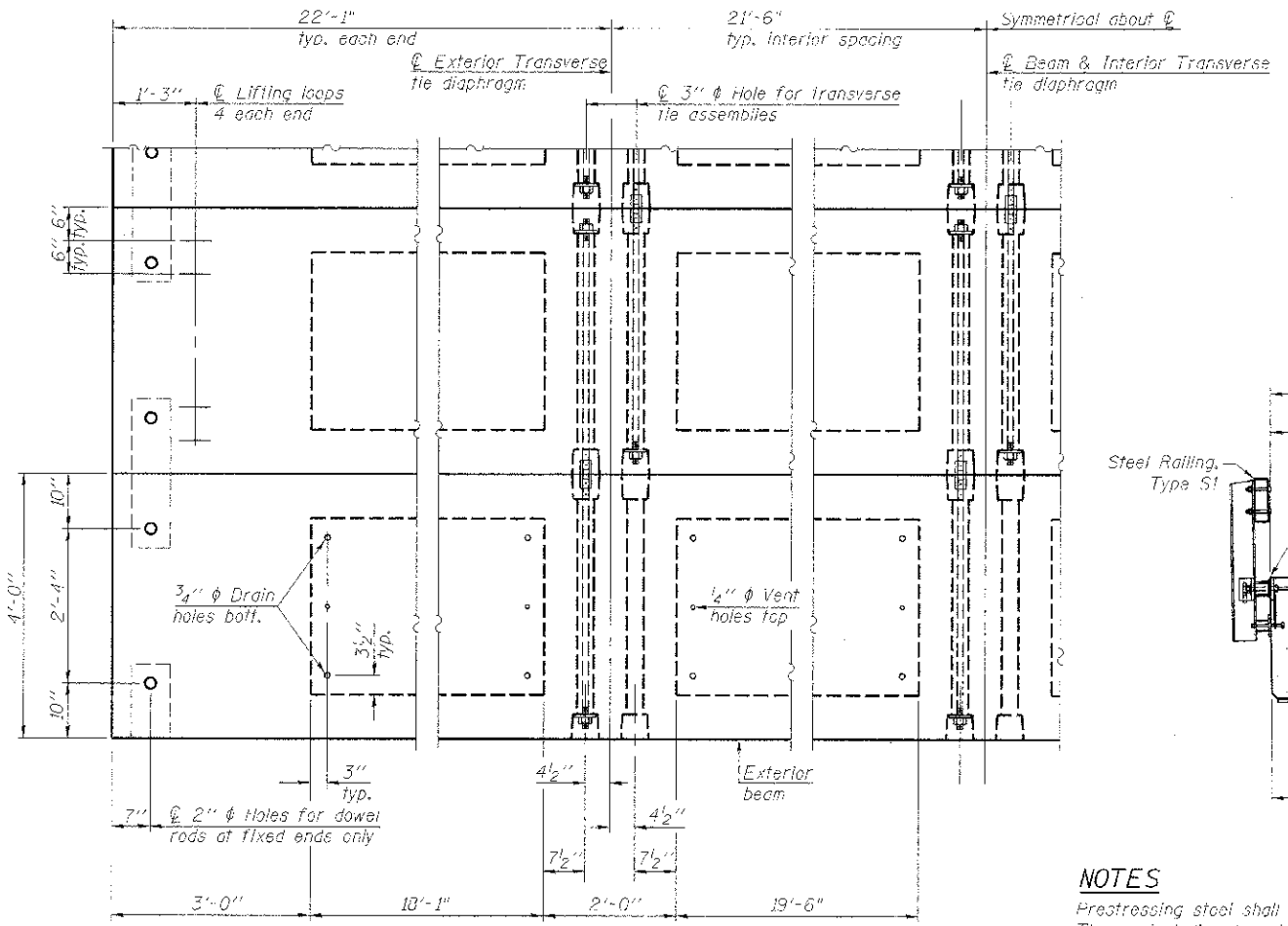
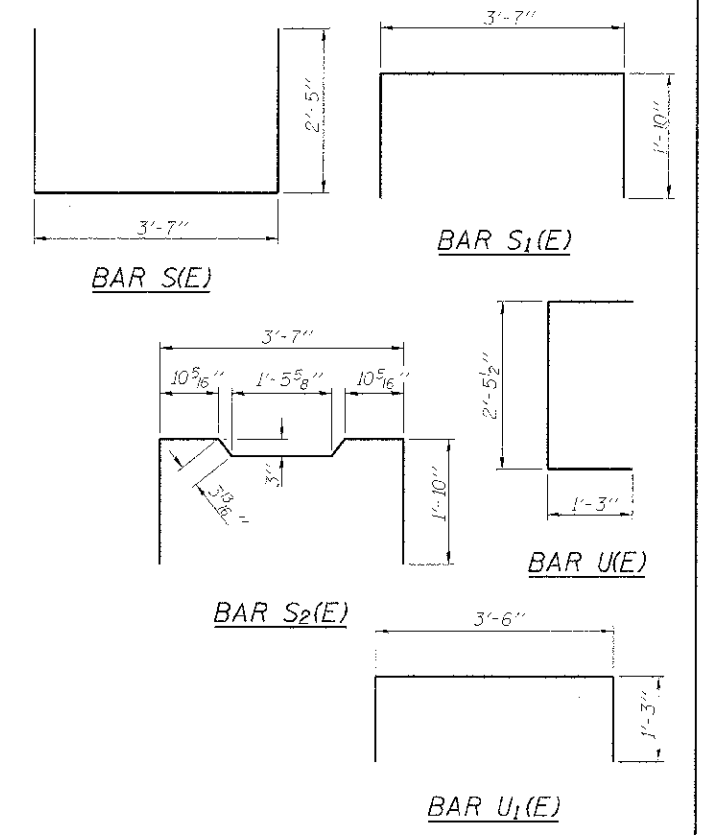
FIXED

All bearing pads shall be 1" thick.



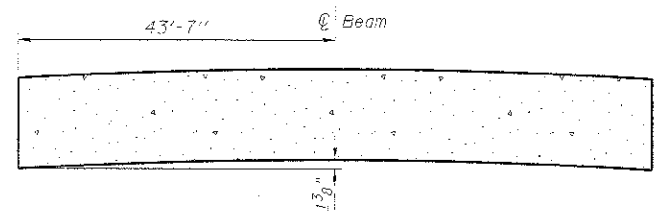
SECTION A-A

TYPICAL TRANSVERSE TIE ASSEMBLY

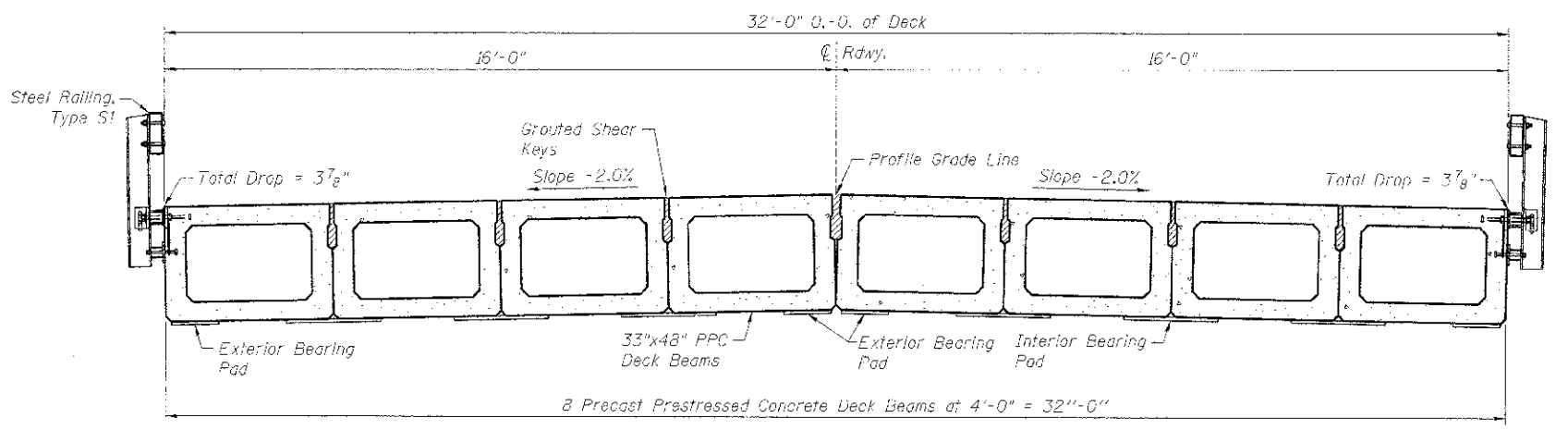


PLAN VIEW

Note: Connect beams in pairs with the transverse tie configuration shown.

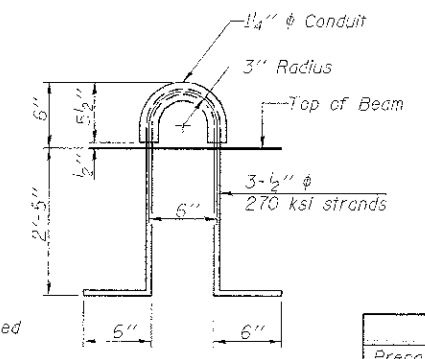


CAMBER DIAGRAM



NOTES

- Prestressing steel shall be uncoated high strength, low relaxation 7 wire strand, Grade 270. The nominal diameter shall be 1/2" and the nominal cross-sectional area shall be 0.153 sq. in.
- The 1" rods in the transverse tie assembly shall be tightened to a snug fit and the threads set. Pockets on exterior faces of bridge shall be filled with grout after transverse tie assembly is in place.
- Reinforcement bars shall conform to ASTM A 705, Grade 60. (See Special Provisions).
- Two 1/8" fabric adjusting shims of the dimensions of the exterior bearing pad shall be provided for each bearing pad location.
- A minimum 2 1/2" diameter lifting pin shall be used to engage the lifting loops during handling.
- Corrosion Inhibitor, per Article 1020.05(b)(12) and 1021.06 of the Standard Specifications, shall be used in the concrete for precast prestressed concrete deck beams.
- Compressive strength of prestressed concrete, f'c, shall be 6,000 psi.
- Compressive strength of prestressed concrete at release, f'ci, shall be 5,000 psi.



LIFTING LOOP DETAIL

BILL OF MATERIAL

Item	Unit	Quantity
Precast Prestressed Conc. Deck Bms. (33" Depth)	Sq. Ft.	2,789

FILE # S:\PROJECTS\3398\BUREAU\T.R.398 OVER SPRING CREEK\STRUCT\Drawings\160402.23in-DeckBeamDetails.dwg

WILLETT HOFMANN ASSOCIATES INC.
ENGINEERING ARCHITECTURE LAND SURVEYING
809 EAST 2ND STREET, DIXON, IL 61021-0367
T. 815-296-3354 DESIGN FROM #184-00918

DESIGNED - IPM	REVISED -
CHECKED - BKC	REVISED -
DRAWN - IPM	REVISED -
CHECKED - BKC	REVISED -

BUREAU COUNTY
T.R. 398 OVER SPRING CREEK
STATION 20 + 00

33" x 48" PPC DECK BEAM DETAILS
STRUCTURE NO. 006-4143

STRUCTURAL SHEET NO. 3 OF 9

TWP. RTE.	SECTION	COUNTY	TOTAL SHEET SHEETS: NO.
398	09-10113-00-BR	BUREAU	19 9
WHA* 1004012		CONTRACT NO. 87551	
ILLINOIS, FED. AID PROJECT BROS-CO11034			