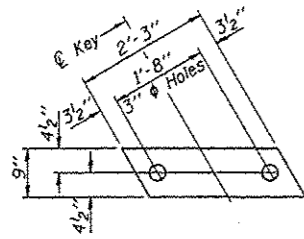
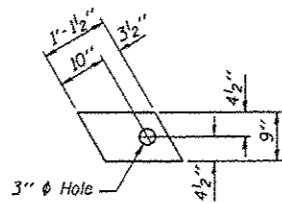


ROUTE NO.	SECTION	COUNTY	SHEET	TOTAL
FAS452		FULTON	26	8
FED. ROAD DIST. NO. 7		ILLINOIS	FED. AID PROJECT	

09-00130-05-BR



FABRIC BEARING PAD
(Interior)

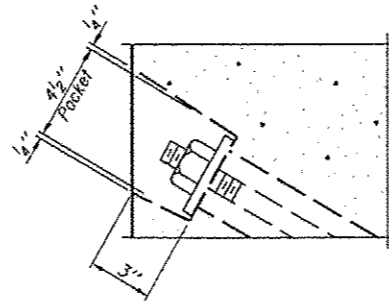


FABRIC BEARING PAD
(Exterior)

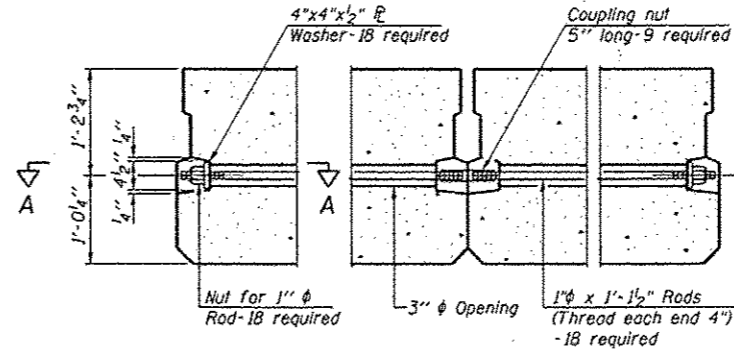
FIXED

NOTES:

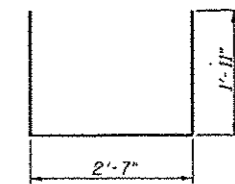
- All bearing pads shall be 1" thick
- Omit holes when using expansion bearings
- Expansion bearing shall be banded to the substructure.



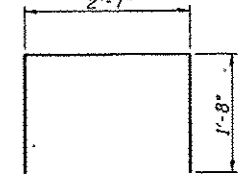
SECTION A-A



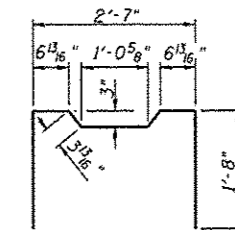
TYPICAL TRANSVERSE TIE ASSEMBLY - PER SPAN



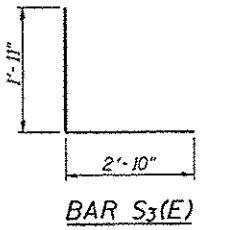
BAR S(E)



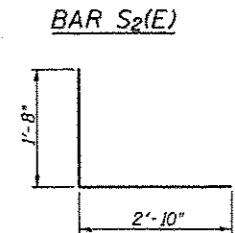
BAR S1(E)



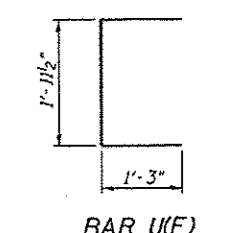
BAR S2(E)



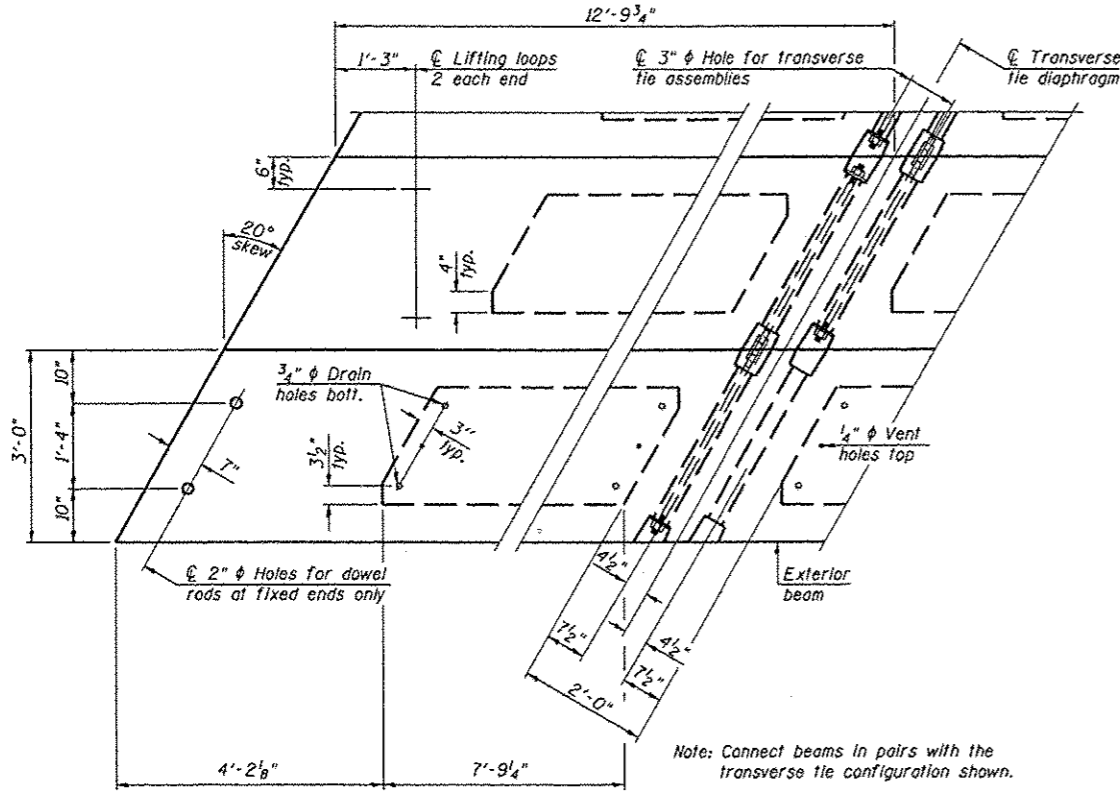
BAR S3(E)



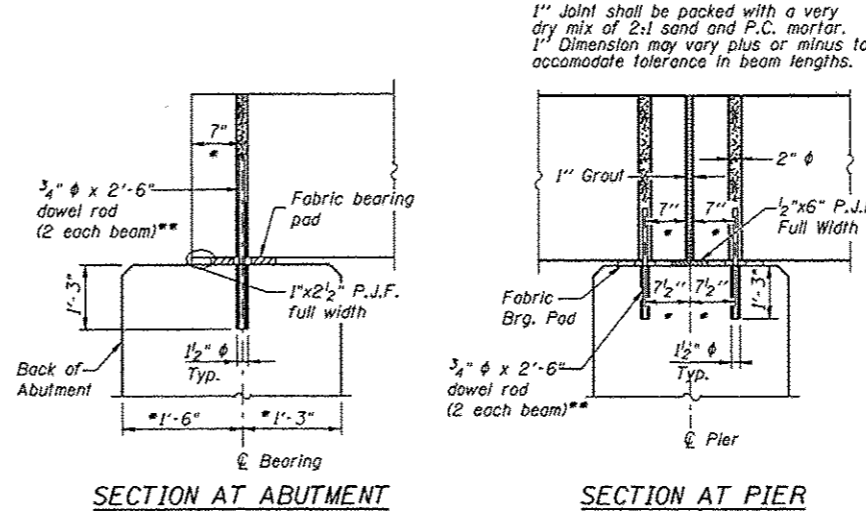
BAR S4(E)



BAR U(E)



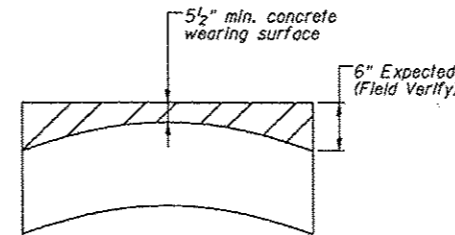
PLAN VIEW



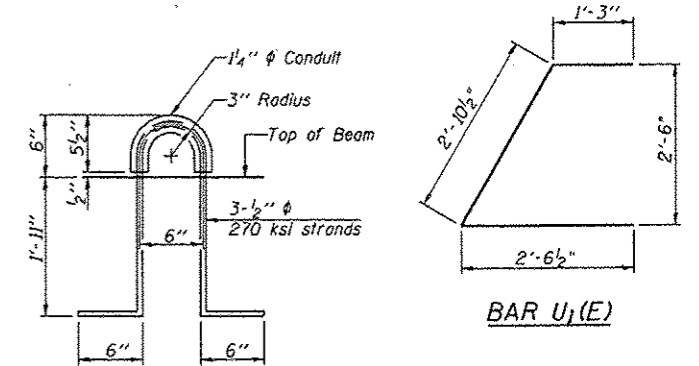
SECTION AT ABUTMENT

SECTION AT PIER

- * Perpendicular to ϕ of abutment or pier
- ** Dowel rods to be grouted after beams are in place and prior to grouting the shear keys



CAMBER DIAGRAM
Along Center of Beam

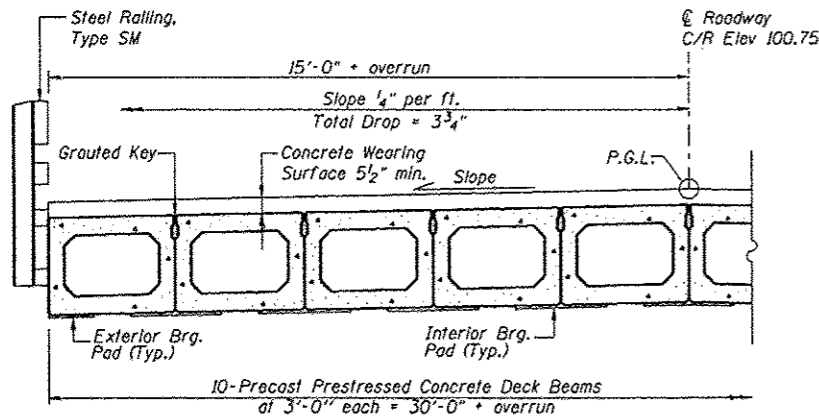


LIFTING LOOP DETAIL

BILL OF MATERIAL
SPANS 1 AND 3

Precast Prestressed Conc. Deck Bms. (27" depth)	Sq. Ft.	1538
---	---------	------

27" x 36" PPC DECK BEAM
STRUCTURE NO. 092-3457
SPANS 1 AND 3



HALF CROSS SECTION

NOTES

Prestressing steel shall be uncoated high strength, low relaxation 7-wire strand, Grade 270. The nominal diameter shall be 1/2" and the nominal cross-sectional area shall be 0.153 sq. in.

The 1" ϕ rods in the transverse tie assembly shall be tightened to a snug fit and the threads set. Pockets on exterior faces of bridge shall be filled with grout after transverse tie assembly is in place.

Reinforcement bars shall conform to ASTM A 706, Grade 60. (See Special Provisions).

Two 5/8" fabric adjusting shims of the dimensions of the exterior bearing pad shall be provided for each bearing pad location.

A minimum 2 1/2" ϕ lifting pin shall be used to engage the lifting loops during handling.

Corrosion Inhibitor, per Article 1020.05(b)(12) and 1021.06 of the Standard Specifications, shall be used in the concrete for precast prestressed concrete deck beams.

Compressive strength of prestressed concrete, $f'c$, shall be 6000 psi.

Compressive strength of prestressed concrete at release, $f'ci$, shall be 5000 psi.

DSGN	J. Hoffmann				
DR	K.J. Hoffmann				
CHK	J.R. Wolf				
APVD	J.A. Frauenhoffer	NO.	DATE	REVISION	BY

FRAUENHOFFER & ASSOCIATES
A division of Engineering Resource Associates, Inc.
Consulting Engineers, Scientists, & Surveyors

3002 CROSSING COURT
CHAMPAIGN, IL 61822
PHONE (217) 351-6268
FAX (217) 355-1902

SUPERSTRUCTURE DETAILS (SHEET 2 OF 4)
FAS 452 (CH2) OVER LASWELL BRANCH OF PUT CREEK
SEC 08-00130-05-BR
FULTON COUNTY

SHEET	8
DWG NO.	9028SUP.dgn
DATE	DEC 2012
PROJ NO.	9029

PD-2736-LD

11-1-09