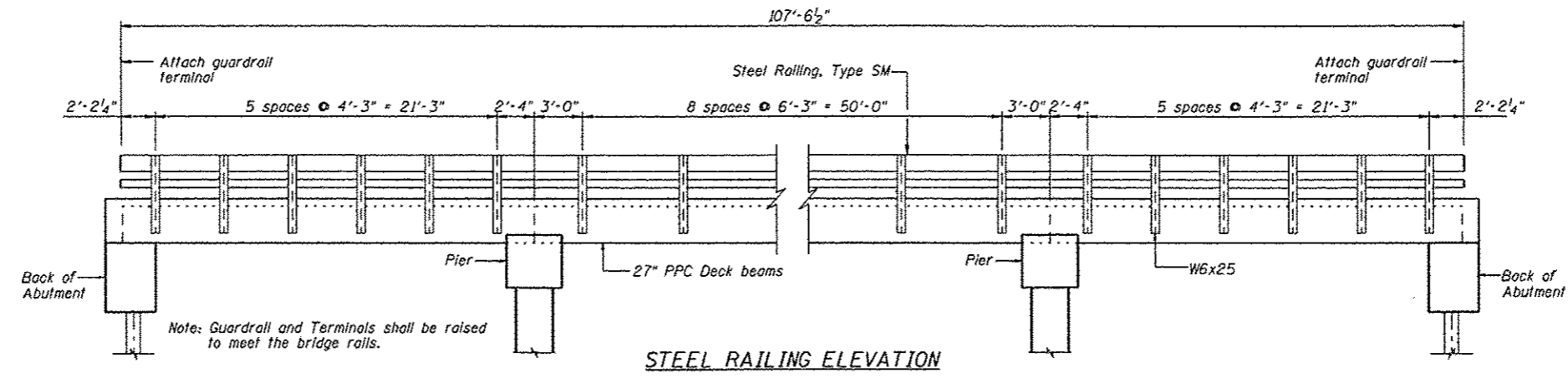
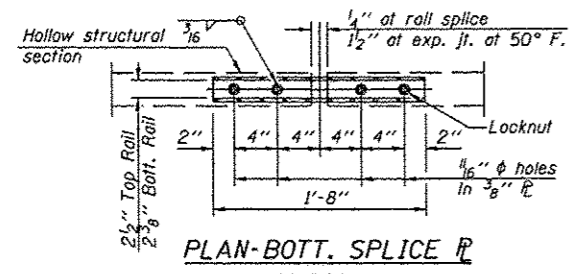


ROUTE NO.	SECTION	COUNTY	SHEET	NO.
FAS452	#	FULTON	26	18
FED. ROAD DIST. NO. 7		ILL. HIGH. FED. AID PROJECT		

09-00130-05-BR



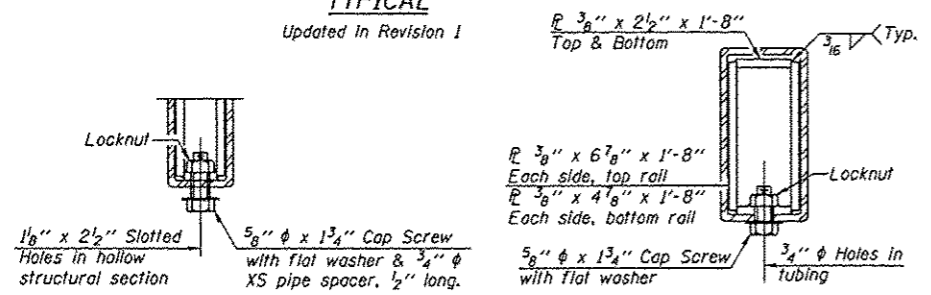
STEEL RAILING ELEVATION



PLAN-BOTT. SPLICE R
TYPICAL
Updated in Revision 1

BILL OF MATERIAL

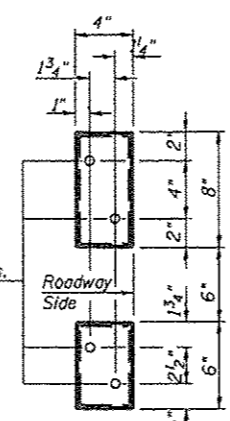
Item	Unit	Quantity
Steel Railing, Type SM	Foot	216



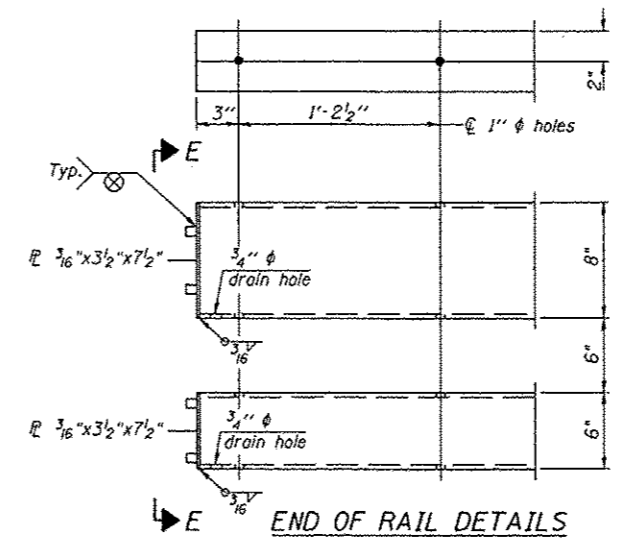
RAIL SPLICE CONNECTION
AT EXPANSION JT.
Updated in Revision 1

SECTION AT
RAIL SPLICE
Updated in Revision 1

4 - 5/8" reduced base welded studs.
Provide 4 - 3/8" washers and self-locking nuts or nuts and jam nuts for guardrail connection shown on Std. 631032



VIEW E-E
Updated in Revision 1



END OF RAIL DETAILS
Updated in Revision 1

NOTES

- All field drilled holes shall be coated with an approved zinc rich paint before erection.
- For multi-span bridges, sufficient 1/4" x 6" x 1'-2" galvanized steel shims shall be provided to align rail between adjacent spans. Cost included with Steel Railing, Type SM.
- Steel rail elements shall be galvanized according to Article 509.05 of the Standard Specifications.
- Bolts located at expansion joint shall be provided with locknuts and shall be tightened only to a point that will allow railing movement.
- ** The studs of the anchor devices shall be placed below the top reinforcement bars and the outermost longitudinal reinforcement bar shall be placed directly above the studs of the rail past anchor device.

DSGN	K.J. Hoffmann				
DR	K.J. Hoffmann				
CHK	J.R. Wolf				
APVD	J.A. Fraenhoffer	NO.	DATE	REVISION	BY
					APVD

FRAUENHOFFER & ASSOCIATES
A Division of Engineering Resource Associates, Inc.
Consulting Engineers, Scientists, & Surveyors

3002 CROSSING COURT
CHAMPAIGN, IL 61822
PHONE (217) 351-6268
FAX (217) 355-1902

STEEL RAILING, TYPE SM (SHEET 1 OF 2)	SHEET 18
FAS 452 (CH2) OVER LASWELL BRANCH OF PUT CREEK	DWG NO. 9029SM.dgn
SEC 08-00130-05-BR	DATE DEC 2012
FULTON COUNTY	PROJ NO. 9029