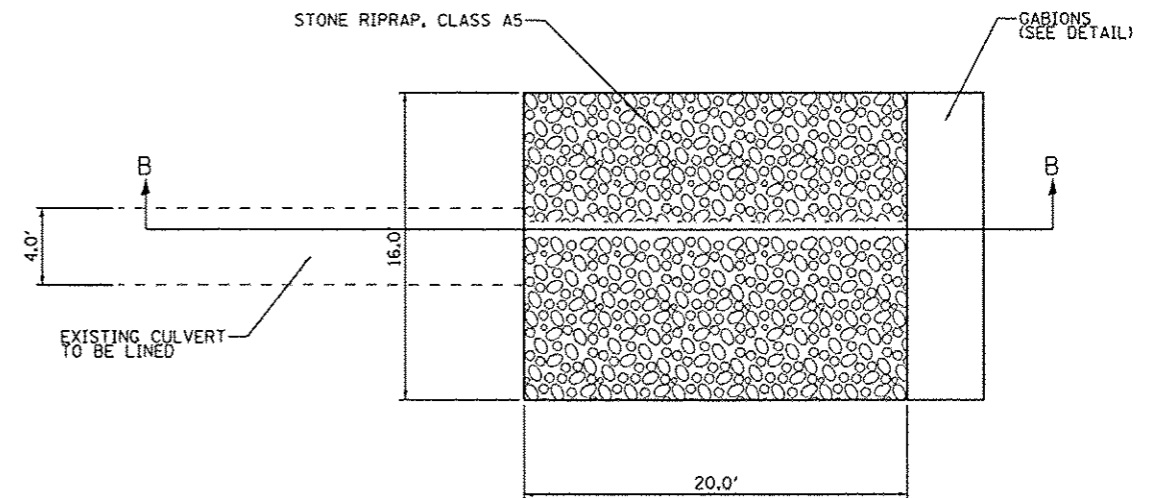


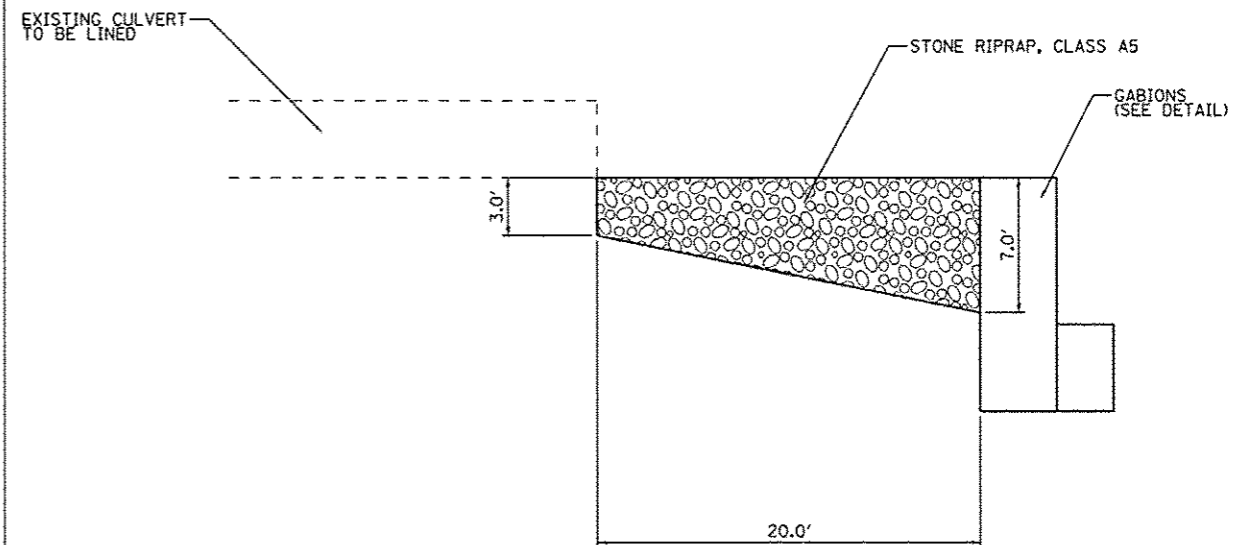
SECTION A-A

8 GABION BASKET
NOT TO SCALE (STA. 429+46.50, LT)

GABION BASKET STANDARD SIZE						
CODE	LENGTH	WIDTH	DEPTH	CUBIC YARDS	QUANTITY	TTL CU YDS
A	6'-0"	3'-0"	3'-0"	2	2	4
B	9'-0"	3'-0"	3'-0"	3	2	6
CC	12'-0"	6'-0"	3'-0"	8	2	16
HH	9'-0"	6'-0"	1'-0"	2	2	4
BE	9'-0"	4.5'	3'-0"	4.5	2	9
TOTAL CU YDS						39

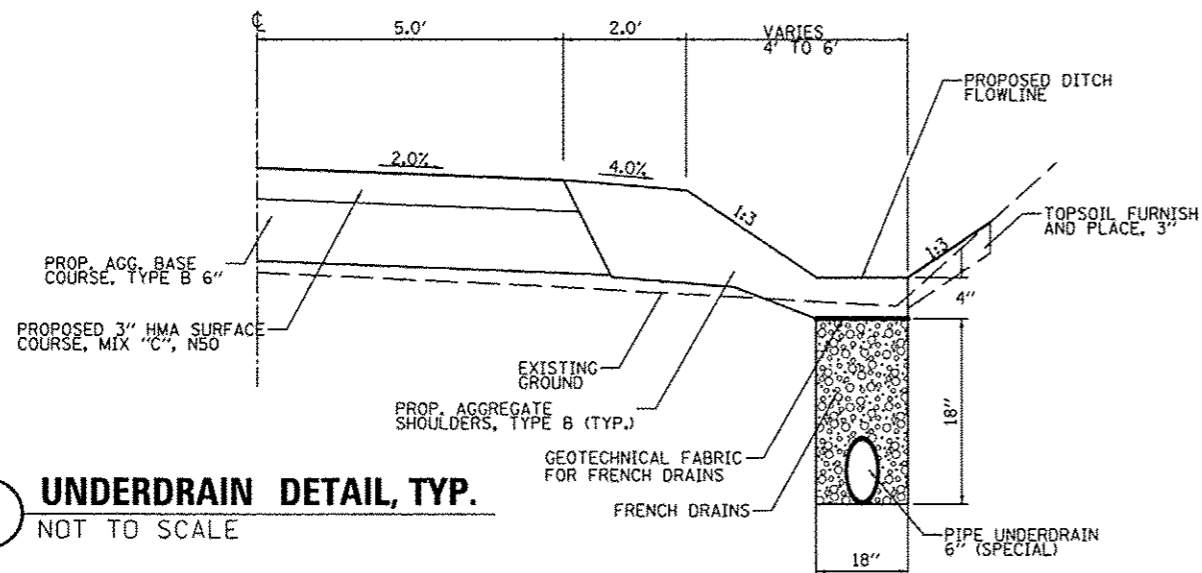


PLAN VIEW
(STA. 429+46.50)



SECTION B-B
NOT TO SCALE

10 RIPRAP DETAIL
NOT TO SCALE



9 UNDERDRAIN DETAIL, TYP.
NOT TO SCALE

FILE NAME : S:\23712012\23712003.00 (Trail Glen to Springdale)\CADD\CADD Sheets\0489639-sht-ds01	USER NAME : ccmorstin	DESIGNED : LORANN underdrain.dgn	REVISED : REVISED REVISED REVISED
PLOT SCALE : 100.0002' / in.	CHECKED : DATE	DATE	REVISED
PLOT DATE : 4/5/2013			



PEORIA PARK DISTRICT

ROCK ISLAND GREENWAY (GLEN AVE TO WAR MEMORIAL DR)
GABION BASKET AND UNDERDRAIN DETAIL

SCALE: SHEET OF SHEETS STA. TO STA.

F.A. RTE.	SECTION	COUNTY	TOTAL SHEETS	SHEET NO.
	11-P4002-04-BT	PEORIA	73	40
CONTRACT NO. 89639				
ILLINOIS FED. AID PROJECT				