

BIKE TRAIL  
IMPROVEMENT BEGINS  
STA. 26+38.04

ROADWAY IMPROVEMENT  
BEGINS STA. 30+73.42



W20-1103(O)-48

1000'

TOWN OF NORMAL

TOWN OF NORMAL

BIKE TRAIL

FAU RTE 6375 NORTHTOWN ROAD

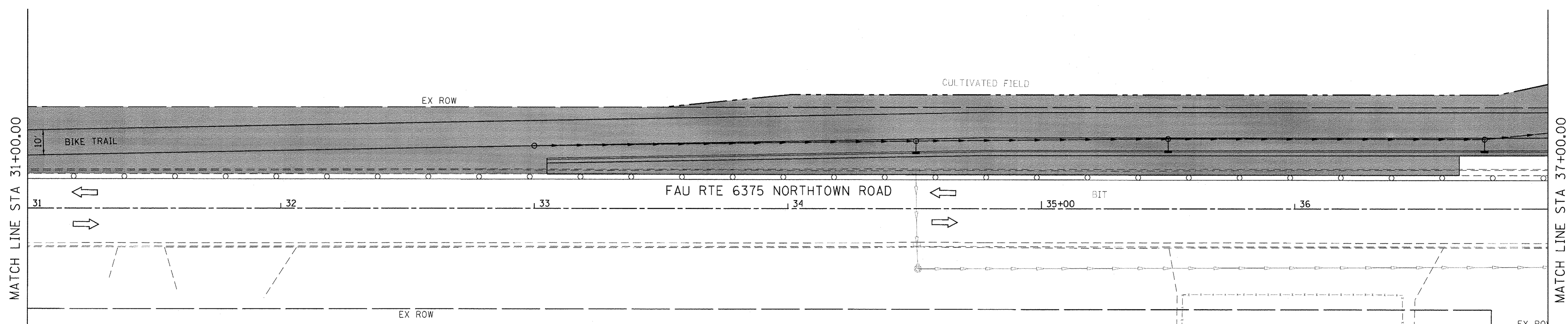
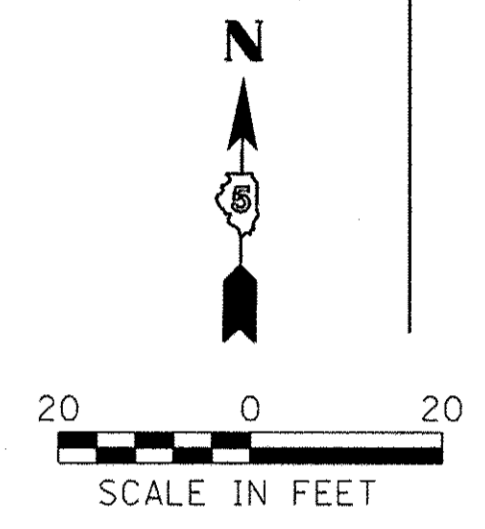
MATCH LINE STA 31+00.00

EX ROW

**LEGEND**

- STAGE I CONSTRUCTION
- BARRICADE TYPE III
- MAINLINE TRAFFIC
- DRUM WITH STEADY BURNING LIGHT

NOTE: SEE STANDARDS 701201-04  
701326, 701701-08, B.L.R. 17-4,  
& B.L.R. 21-9



MATCH LINE STA 31+00.00

MATCH LINE STA 37+00.00

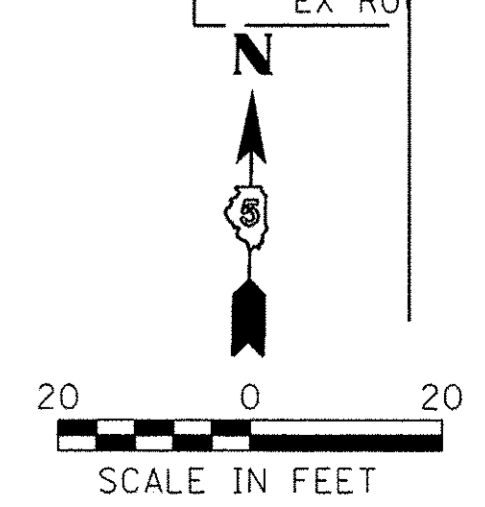
CULTIVATED FIELD

FAU RTE 6375 NORTHTOWN ROAD

**LEGEND**

- STAGE I CONSTRUCTION
- BARRICADE TYPE III
- MAINLINE TRAFFIC
- DRUM WITH STEADY BURNING LIGHT

NOTE: SEE STANDARDS 701201-04  
701326, 701701-08, B.L.R. 17-4,  
& B.L.R. 21-9



**Farnsworth**  
GROUP, INC.  
2706 McGraw Drive  
Bloomington, Illinois 61704  
309/663-8435, 309/663-1571 fax

DESIGNED - PJM  
DRAWN - JJO/LAT  
CHECKED - PJM  
DATE - 01/18/13

REVISED -  
REVISED -  
REVISED -  
REVISED -

**TOWN OF NORMAL  
NORTHTOWN ROAD FROM  
1200' WEST OF LINDEN STREET TO TOWANDA AVENUE**

**STAGE CONSTRUCTION PLANS  
STAGE I**

SCALE: SHEET OF SHEETS STA. TO STA.

F.A.U. RTE. 6375	SECTION 00-00206-00-RP	COUNTY McLEAN	TOTAL SHEETS 129	SHEET NO. 35
CONTRACT NO. 91479			ILLINOIS FED. AID PROJECT	