

BEGIN PERIMETER EROSION BARRIER  
STA 26+56

BIKE TRAIL  
IMPROVEMENT BEGINS  
STA. 26+38.04



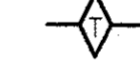
END PERIMETER EROSION BARRIER  
STA 30+75

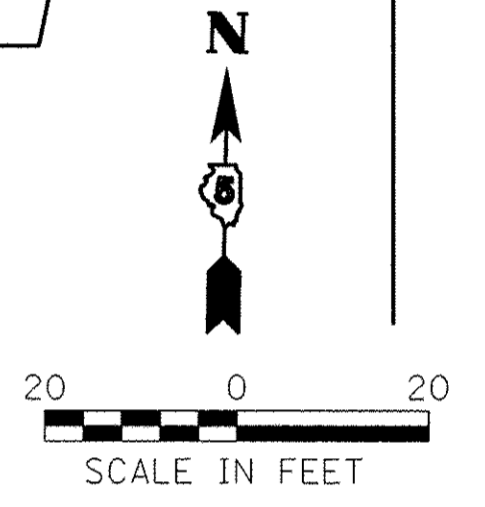
MATCH LINE STA 31+00.00

ROADWAY  
IMPROVEMENT BEGINS  
STA. 30+73.42

- INTENDED SEQUENCE**
1. SETUP TRAFFIC CONTROL FOR THE RESPECTIVE STAGE.
  2. PLACEMENT OF PERIMETER EROSION BARRIER PRIOR TO THE COMMENCEMENT OF ANY WORK, SEE STD. 280001.
  3. INSTALL INLET AND PIPE PROTECTION AND OTHER EROSION CONTROL ITEMS AS STATED ON THE PLANS.
  4. REMOVE EXISTING PAVEMENT, CURB & GUTTER, SIDEWALK, PERFORM EARTHWORK AS SHOWN ON THE PLANS.
  5. CONSTRUCT NEW PAVEMENT, CURB & GUTTER, SIDEWALKS, STORM SEWERS, AND OTHER WORK AS SHOWN FOR THE RESPECTIVE STAGE.
  6. REVISE TRAFFIC CONTROL FOR THE NEXT STAGE AND REPEAT THE ABOVE SEQUENCE UNTIL COMPLETE.

**LEGEND**




-  INLET AND PIPE PROTECTION/  
INLET FILTER
-  PERIMETER EROSION BARRIER
-  TEMPORARY DITCH CHECK

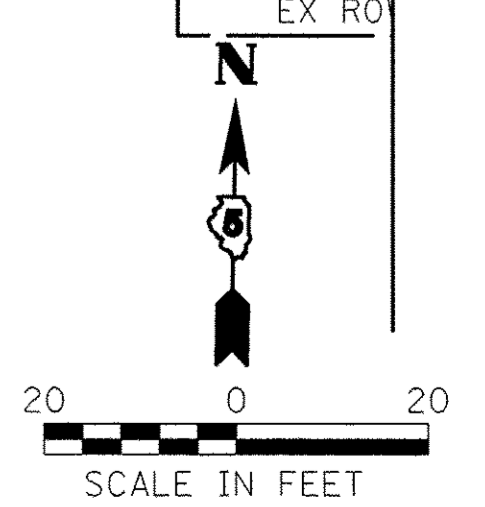


MATCH LINE STA 31+00.00

MATCH LINE STA 37+00.00

**LEGEND**

-  INLET AND PIPE PROTECTION/  
INLET FILTER
-  PERIMETER EROSION BARRIER
-  TEMPORARY DITCH CHECK



DESIGNED - PJM  
DRAWN - JJO/LAT  
CHECKED - PJM  
DATE - 01/18/13

REVISED -  
REVISED -  
REVISED -  
REVISED -

**TOWN OF NORMAL  
NORTHTOWN ROAD FROM  
1200' WEST OF LINDEN STREET TO TOWANDA AVENUE**

**EROSION CONTROL PLAN**

SCALE: SHEET OF SHEETS STA. TO STA.

F.A.U. RTE.	SECTION	COUNTY	TOTAL SHEETS	SHEET NO.
6375	00-00206-00-RP	McLEAN	129	51
CONTRACT NO. 91479				
ILLINOIS FED. AID PROJECT				