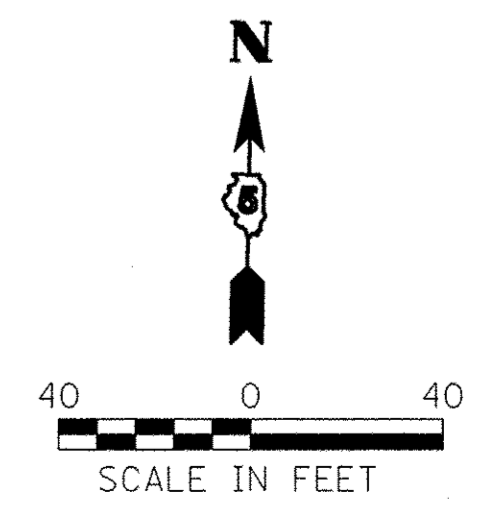


LEGEND
 ——— 1" EXPANSION JOINT & CONNECTOR PAD
 ——— SAW CUT JOINT



Farnsworth
 GROUP, INC.
 2709 McGraw Drive
 Bloomington, Illinois 61704
 309/863-8435, 309/863-1571 fax

DESIGNED - PJM	REVISED -
DRAWN - JJO/LAT	REVISED -
CHECKED - PJM	REVISED -
DATE - 01/18/13	REVISED -

DESIGNED - PJM	REVISED -
DRAWN - JJO/LAT	REVISED -
CHECKED - PJM	REVISED -
DATE - 01/18/13	REVISED -

**TOWN OF NORMAL
 NORTH TOWN ROAD FROM
 1200' WEST OF LINDEN STREET TO TOWANDA AVENUE**

SAW JOINT PLAN
 SCALE: SHEET OF SHEETS STA. TO STA.

F.A.U. RTE.	SECTION	COUNTY	TOTAL SHEETS	SHEET NO.
6375	00-00206-00-RP	McLEAN	129	79
CONTRACT NO. 91479				
ILLINOIS FED. AID PROJECT				