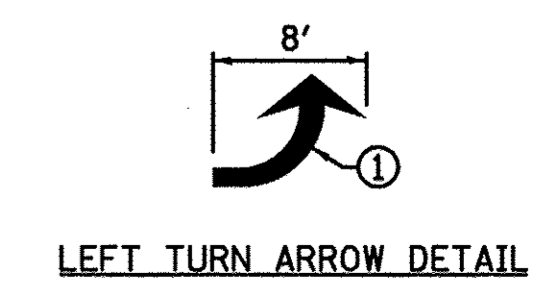
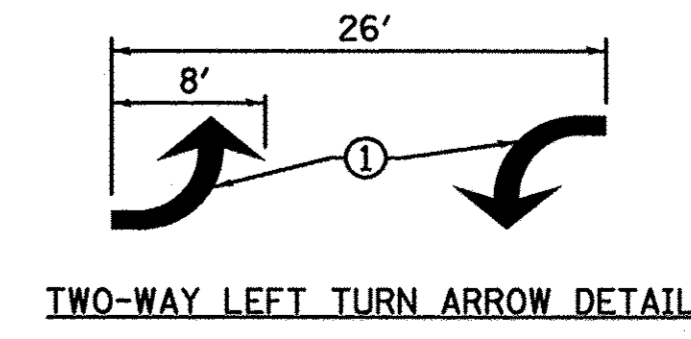
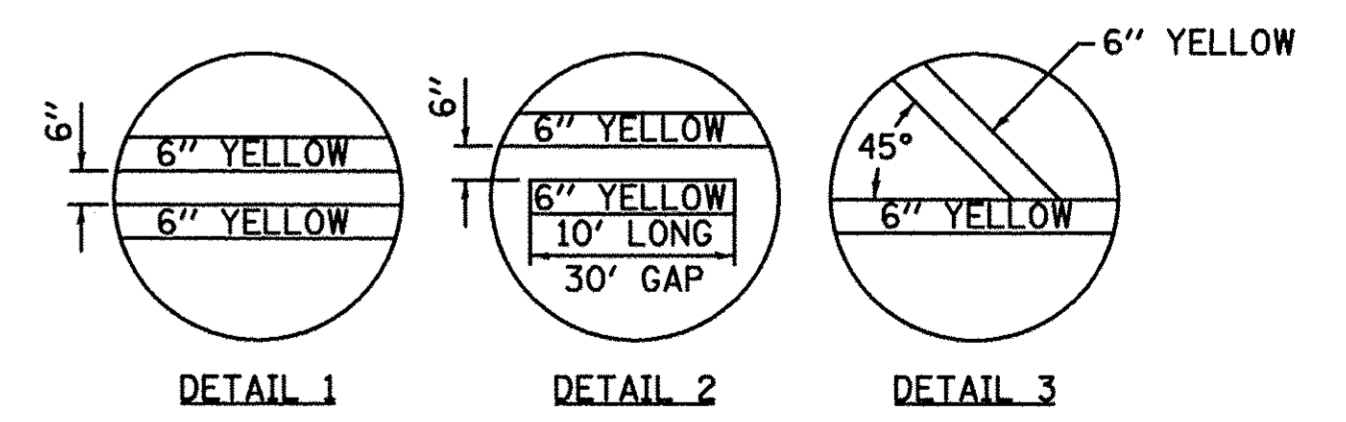


**GENERAL NOTES:**  
 1. PROPOSED PAVEMENT MARKINGS AND PROPOSED RAISED REFLECTIVE MARKERS ARE TO BE INSTALLED IN ACCORDANCE WITH HIGHWAY STANDARD 780001.

**RAISED REFLECTIVE PAVEMENT MARKERS LEGEND**  
 ▶ ONE-WAY CRYSTAL MARKER  
 ◆ TWO-WAY AMBER MARKER

**LEGEND**

①	PAINT PAVEMENT MARKING - LETTERS AND SYMBOLS	WHITE SYMBOLS
②	PAINT PAVEMENT MARKING - LINE 8"	SOLID WHITE LINE
③	PAINT PAVEMENT MARKING - LINE 6" (10' LONG, 30' GAP)	SOLID WHITE LINE
④	PAINT PAVEMENT MARKING - LINE 6"	DETAIL 1
⑤	PAINT PAVEMENT MARKING - LINE 6"	DETAIL 2
⑥	PAINT PAVEMENT MARKING - LINE 6"	DETAIL 3
⑦	PAINT PAVEMENT MARKING - LINE 8" (2' LONG, 6' GAP)	SOLID WHITE LINE
⑧	PAINT PAVEMENT MARKING - LINE 24"	SOLID WHITE LINE
⑨	PAINT PAVEMENT MARKING - LINE 6"	SOLID WHITE LINE
⑩	PAINT PAVEMENT MARKING - LINE 12"	SOLID WHITE LINE
⑪	PAINT PAVEMENT MARKING - LINE 4"	SOLID WHITE LINE



**TOWN OF NORMAL  
 NORTHTOWN ROAD FROM  
 1200' WEST OF LINDEN STREET TO TOWANDA AVENUE**

**PAVEMENT MARKING PLAN**

F.A.U. RTE. 6375	SECTION 00-00206-00-RP	COUNTY McLEAN	TOTAL SHEETS 129	SHEET NO. 81
CONTRACT NO. 91479				
ILLINOIS FED. AID PROJECT				