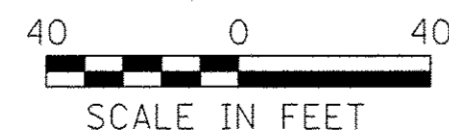
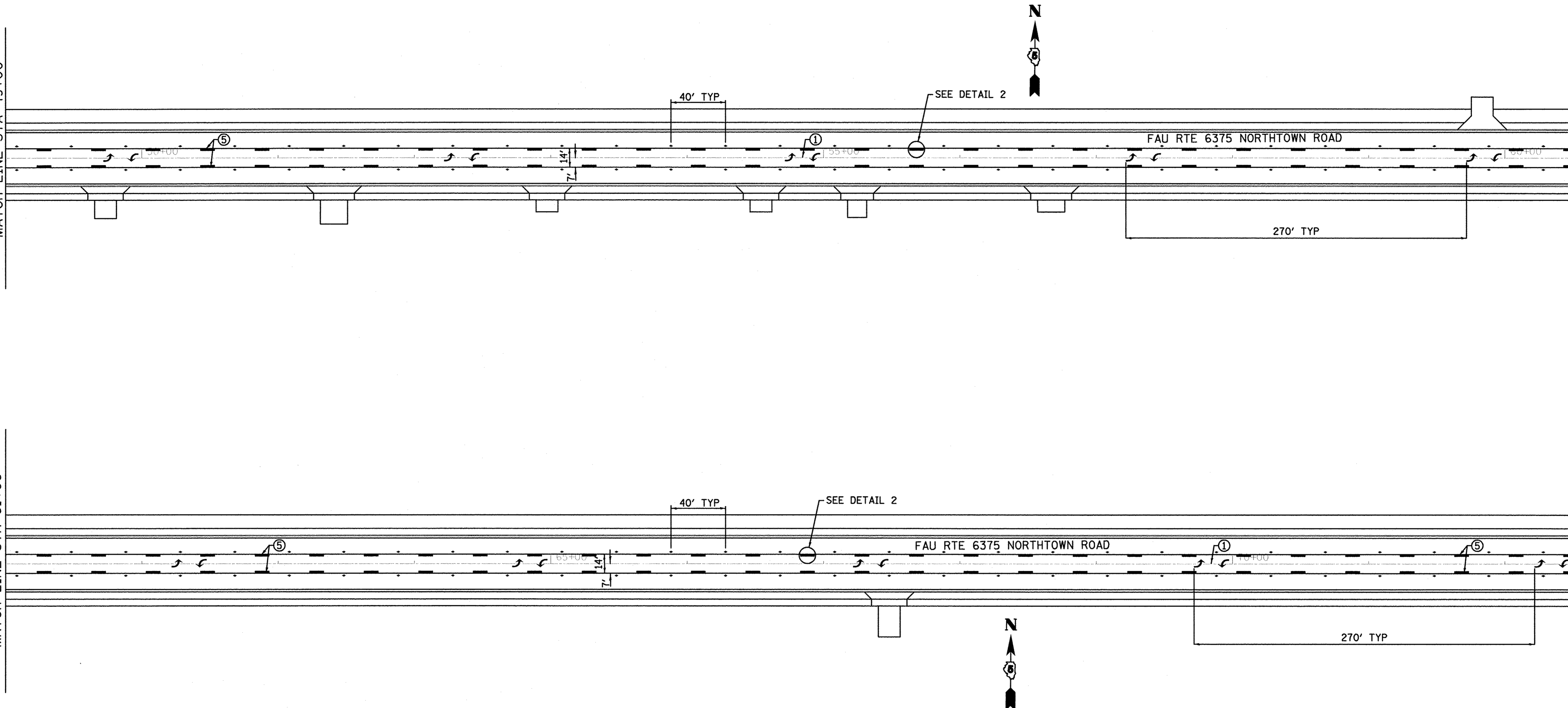


MATCH LINE STA 49+00

MATCH LINE STA 61+00

MATCH LINE STA 61+00

MATCH LINE STA 73+00



**GENERAL NOTES:**

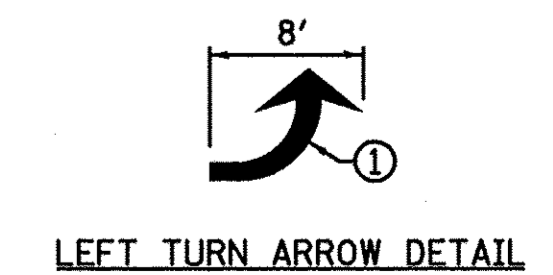
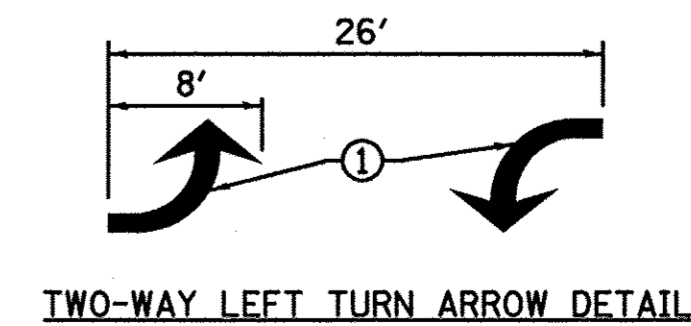
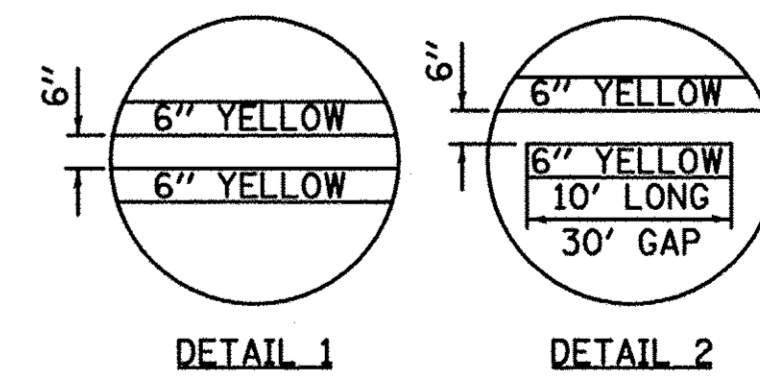
1. PROPOSED PAVEMENT MARKINGS AND PROPOSED RAISED REFLECTIVE MARKERS ARE TO BE INSTALLED IN ACCORDANCE WITH HIGHWAY STANDARD 780001.

**RAISED REFLECTIVE PAVEMENT MARKERS LEGEND**

- ▷ ONE-WAY CRYSTAL MARKER
- ◆ TWO-WAY AMBER MARKER

**LEGEND**

		WHITE SYMBOLS
①	PAINT PAVEMENT MARKING - LETTERS AND SYMBOLS	WHITE SYMBOLS
②	PAINT PAVEMENT MARKING - LINE 8"	SOLID WHITE LINE
③	PAINT PAVEMENT MARKING - LINE 6" (10' LONG, 30' GAP)	SOLID WHITE LINE
④	PAINT PAVEMENT MARKING - LINE 6"	DETAIL 1
⑤	PAINT PAVEMENT MARKING - LINE 6"	DETAIL 2
⑥	PAINT PAVEMENT MARKING - LINE 6"	DETAIL 3
⑦	PAINT PAVEMENT MARKING - LINE 8" (2' LONG, 6' GAP)	SOLID WHITE LINE
⑧	PAINT PAVEMENT MARKING - LINE 24"	SOLID WHITE LINE
⑨	PAINT PAVEMENT MARKING - LINE 6"	SOLID WHITE LINE
⑩	PAINT PAVEMENT MARKING - LINE 12"	SOLID WHITE LINE
⑪	PAINT PAVEMENT MARKING - LINE 4"	SOLID WHITE LINE



**Farnsworth GROUP, INC.**  
2709 McGraw Drive  
Bloomington, Illinois 61704  
309/663-8435, 309/663-1571 fax

DESIGNED - PJM  
DRAWN - JJO/LAT  
CHECKED - PJM  
DATE - 01/18/13

REVISED -  
REVISED -  
REVISED -  
REVISED -

**TOWN OF NORMAL  
NORTHTOWN ROAD FROM  
1200' WEST OF LINDEN STREET TO TOWANDA AVENUE**

**PAVEMENT MARKING PLAN**

SCALE: SHEET OF SHEETS STA. TO STA.

F.A.U. RTE.	SECTION	COUNTY	TOTAL SHEETS	SHEET NO.
6375	00-00206-00-RP	McLEAN	129	82
CONTRACT NO. 91479				
ILLINOIS FED. AID PROJECT				