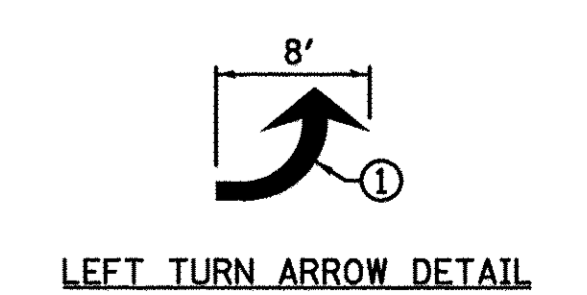
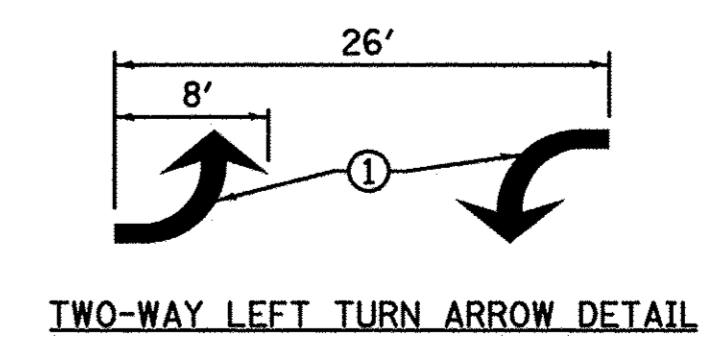
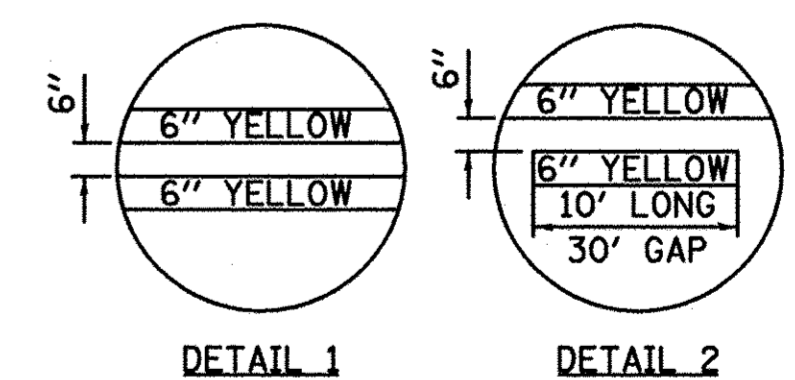


GENERAL NOTES:
 1. PROPOSED PAVEMENT MARKINGS AND PROPOSED RAISED REFLECTIVE MARKERS ARE TO BE INSTALLED IN ACCORDANCE WITH HIGHWAY STANDARD 780001.

RAISED REFLECTIVE PAVEMENT MARKERS LEGEND
 ▷ ONE-WAY CRYSTAL MARKER
 ◆ TWO-WAY AMBER MARKER

LEGEND

①	PAINT PAVEMENT MARKING - LETTERS AND SYMBOLS	WHITE SYMBOLS
②	PAINT PAVEMENT MARKING - LINE 8"	SOLID WHITE LINE
③	PAINT PAVEMENT MARKING - LINE 6" (10' LONG, 30' GAP)	SOLID WHITE LINE
④	PAINT PAVEMENT MARKING - LINE 6"	DETAIL 1
⑤	PAINT PAVEMENT MARKING - LINE 6"	DETAIL 2
⑥	PAINT PAVEMENT MARKING - LINE 6"	DETAIL 3
⑦	PAINT PAVEMENT MARKING - LINE 8" (2' LONG, 6' GAP)	SOLID WHITE LINE
⑧	PAINT PAVEMENT MARKING - LINE 24"	SOLID WHITE LINE
⑨	PAINT PAVEMENT MARKING - LINE 6"	SOLID WHITE LINE
⑩	PAINT PAVEMENT MARKING - LINE 12"	SOLID WHITE LINE
⑪	PAINT PAVEMENT MARKING - LINE 4"	SOLID WHITE LINE



Farnsworth GROUP, INC.
 2709 McGraw Drive
 Bloomington, Illinois 61704
 309/693-8435, 309/693-1571 fax

DESIGNED - PJM	REVISED -
DRAWN - JJO/LAT	REVISED -
CHECKED - PJM	REVISED -
DATE - 01/18/13	REVISED -

**TOWN OF NORMAL
 NORTHTOWN ROAD FROM
 1200' WEST OF LINDEN STREET TO TOWANDA AVENUE**

PAVEMENT MARKING PLAN

SCALE: SHEET OF SHEETS STA. TO STA.

F.A.U. RTE. 6375	SECTION 00-00206-00-RP	COUNTY McLEAN	TOTAL SHEETS 129	SHEET NO. 83
CONTRACT NO. 91479				
ILLINOIS FED. AID PROJECT				