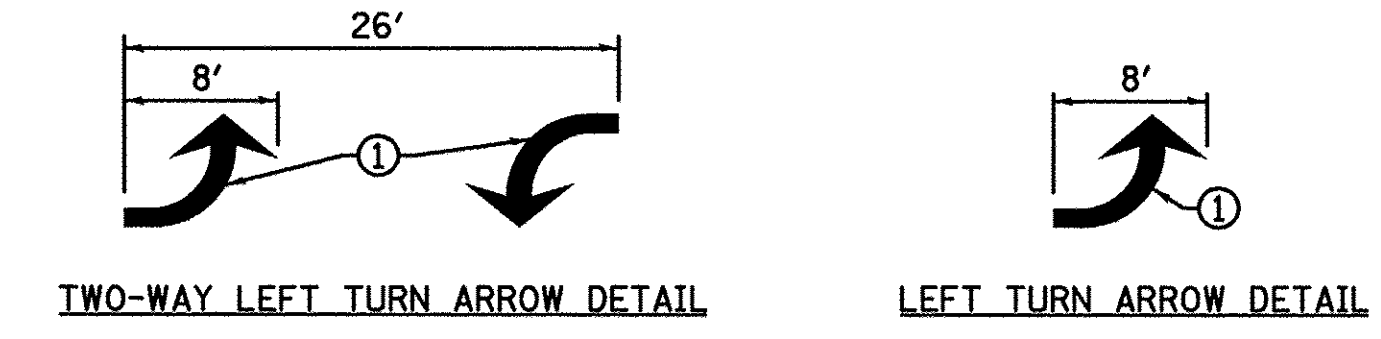
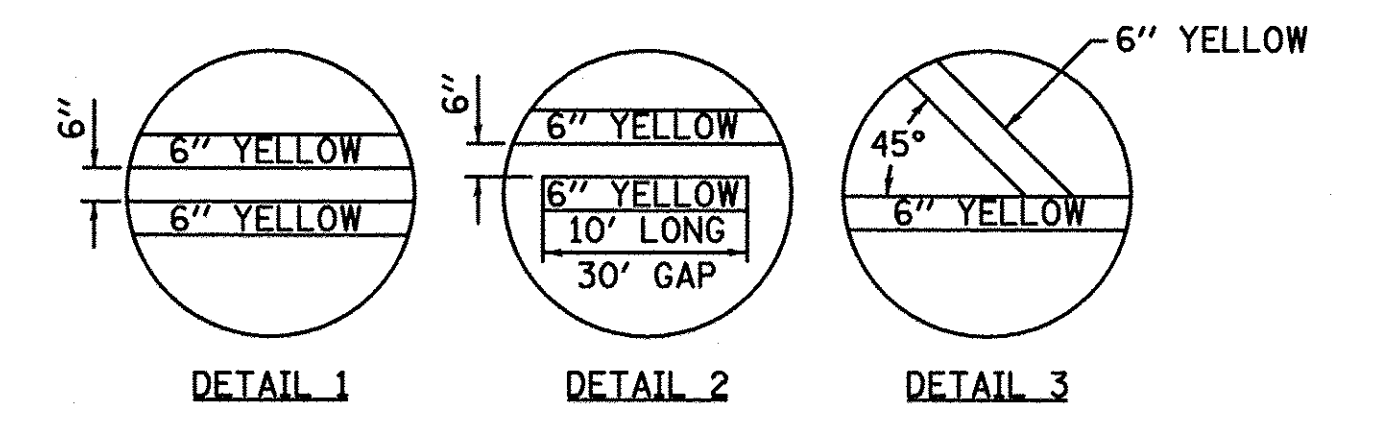


GENERAL NOTES:
 1. PROPOSED PAVEMENT MARKINGS AND PROPOSED RAISED REFLECTIVE MARKERS ARE TO BE INSTALLED IN ACCORDANCE WITH HIGHWAY STANDARD 780001.

RAISED REFLECTIVE PAVEMENT MARKERS LEGEND
 ▷ ONE-WAY CRYSTAL MARKER
 ◆ TWO-WAY AMBER MARKER

LEGEND

| | | |
|---|--|------------------|
| ① | PAINT PAVEMENT MARKING - LETTERS AND SYMBOLS | WHITE SYMBOLS |
| ② | PAINT PAVEMENT MARKING - LINE 8" | SOLID WHITE LINE |
| ③ | PAINT PAVEMENT MARKING - LINE 6" (10' LONG, 30' GAP) | SOLID WHITE LINE |
| ④ | PAINT PAVEMENT MARKING - LINE 6" | DETAIL 1 |
| ⑤ | PAINT PAVEMENT MARKING - LINE 6" | DETAIL 2 |
| ⑥ | PAINT PAVEMENT MARKING - LINE 6" | DETAIL 3 |
| ⑦ | PAINT PAVEMENT MARKING - LINE 8" (2' LONG, 6' GAP) | SOLID WHITE LINE |
| ⑧ | PAINT PAVEMENT MARKING - LINE 24" | SOLID WHITE LINE |
| ⑨ | PAINT PAVEMENT MARKING - LINE 6" | SOLID WHITE LINE |
| ⑩ | PAINT PAVEMENT MARKING - LINE 12" | SOLID WHITE LINE |
| ⑪ | PAINT PAVEMENT MARKING - LINE 4" | SOLID WHITE LINE |



Farnsworth GROUP, INC.
 2709 McCraw Drive
 Bloomington, Illinois 61704
 309/863-8435, 309/863-1571 fax

| | |
|-----------------|-----------|
| DESIGNED - PJM | REVISED - |
| DRAWN - JJO/LAT | REVISED - |
| CHECKED - PJM | REVISED - |
| DATE - 01/18/13 | REVISED - |

| | |
|-----------------|-----------|
| DESIGNED - PJM | REVISED - |
| DRAWN - JJO/LAT | REVISED - |
| CHECKED - PJM | REVISED - |
| DATE - 01/18/13 | REVISED - |

**TOWN OF NORMAL
 NORTHTOWN ROAD FROM
 1200' WEST OF LINDEN STREET TO TOWANDA AVENUE**

PAVEMENT MARKING PLAN

SCALE: SHEET OF SHEETS STA. TO STA.

| | | | | |
|---------------------------|------------------------|---------------|------------------|--------------|
| F.A.U. RTE. 6375 | SECTION 00-00206-00-RP | COUNTY McLEAN | TOTAL SHEETS 129 | SHEET NO. 84 |
| CONTRACT NO. 91479 | | | | |
| ILLINOIS FED. AID PROJECT | | | | |