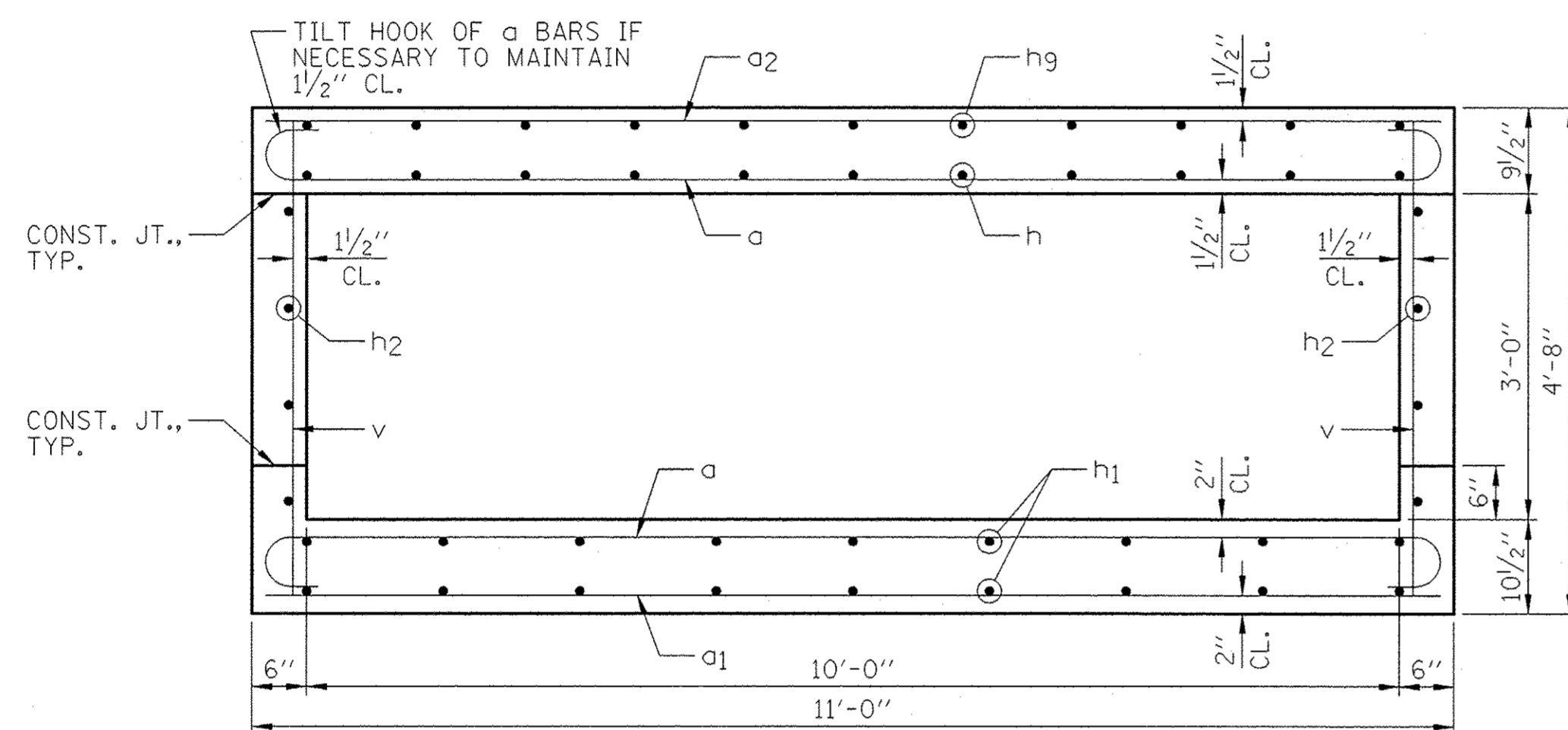
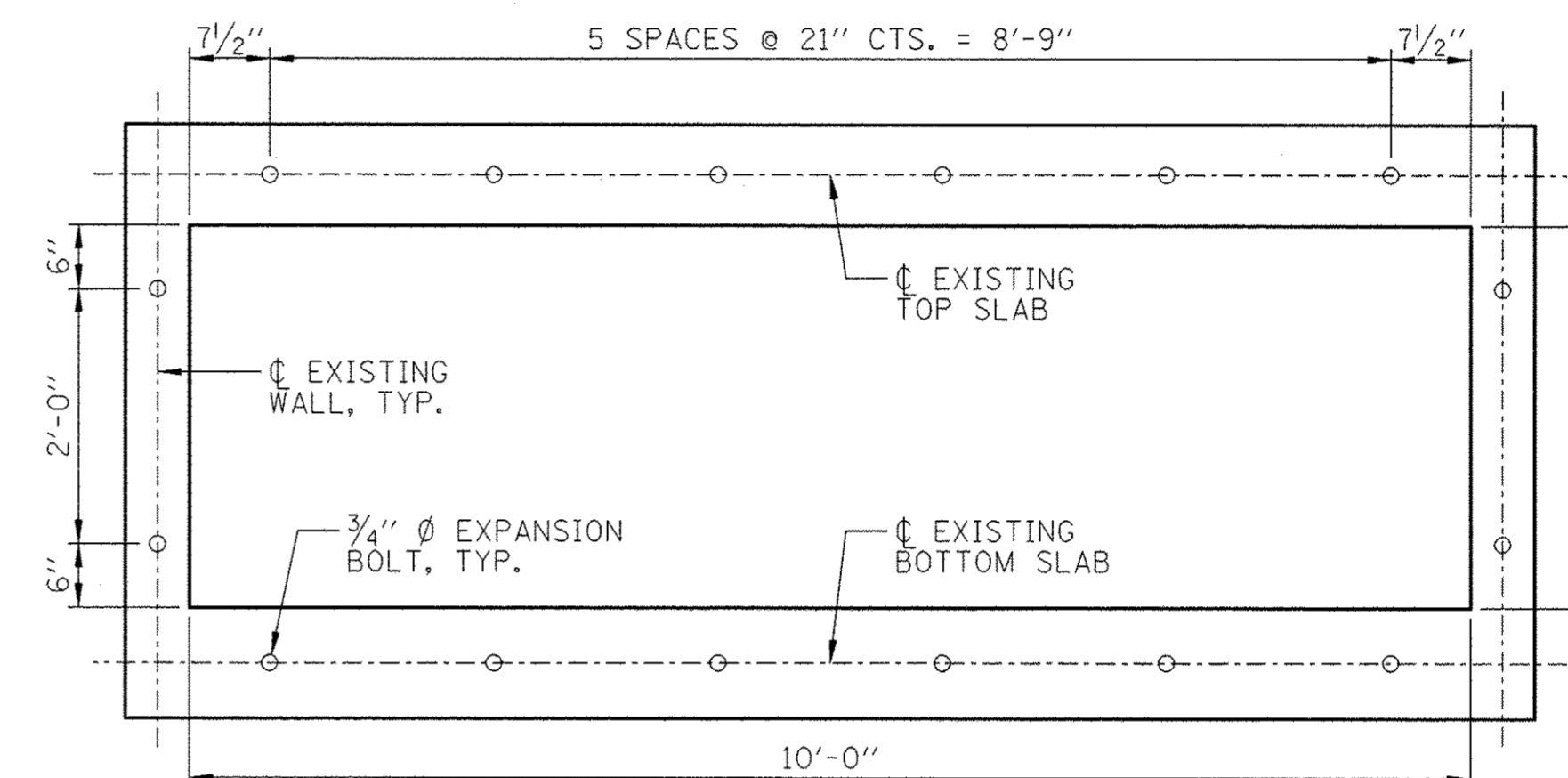


LONGITUDINAL SECTION (D-D)

*DENOTES DIMENSION AT RIGHT ANGLE TO THE CL. OF THE ROADWAY.

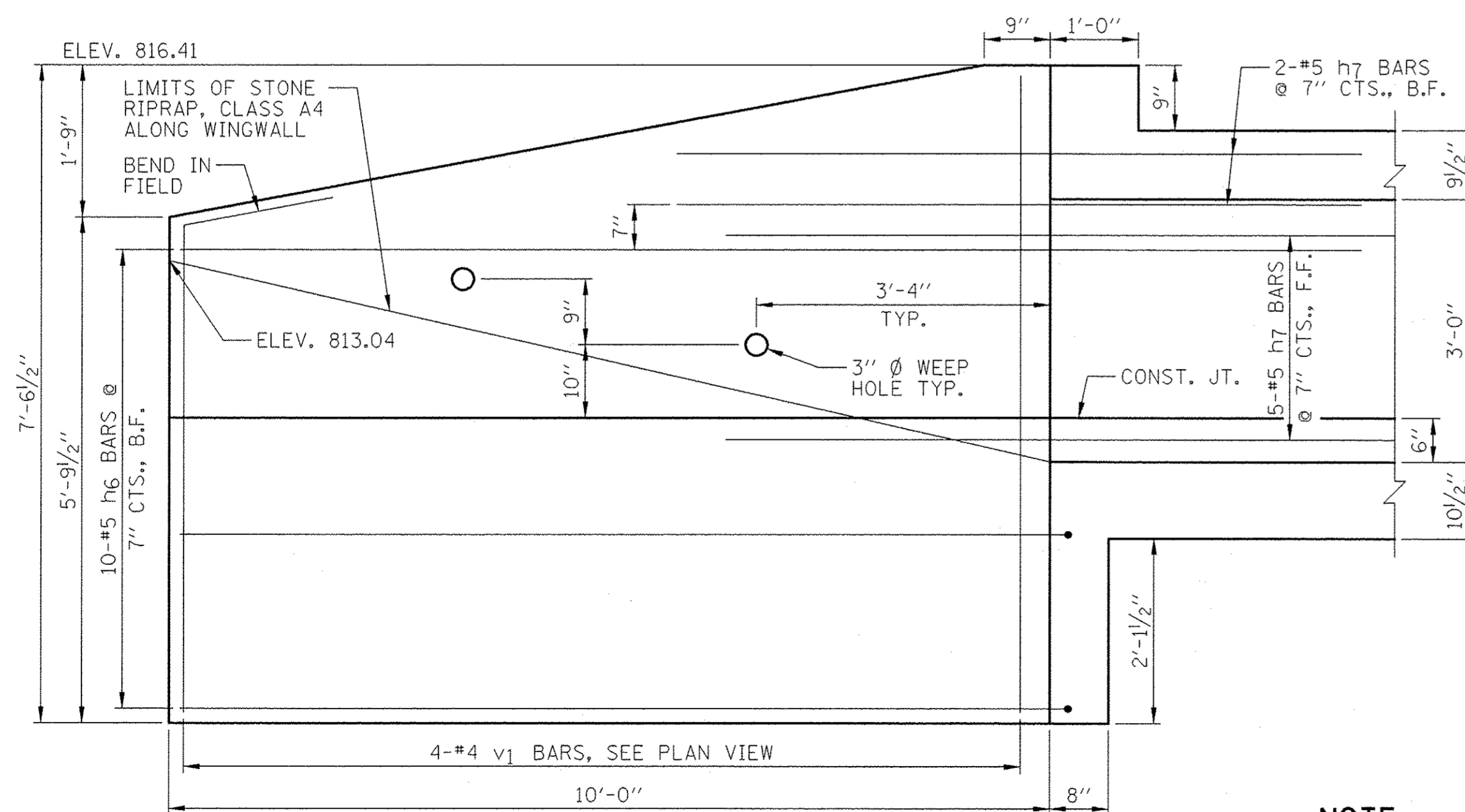


SECTION THRU BARREL (E-E)

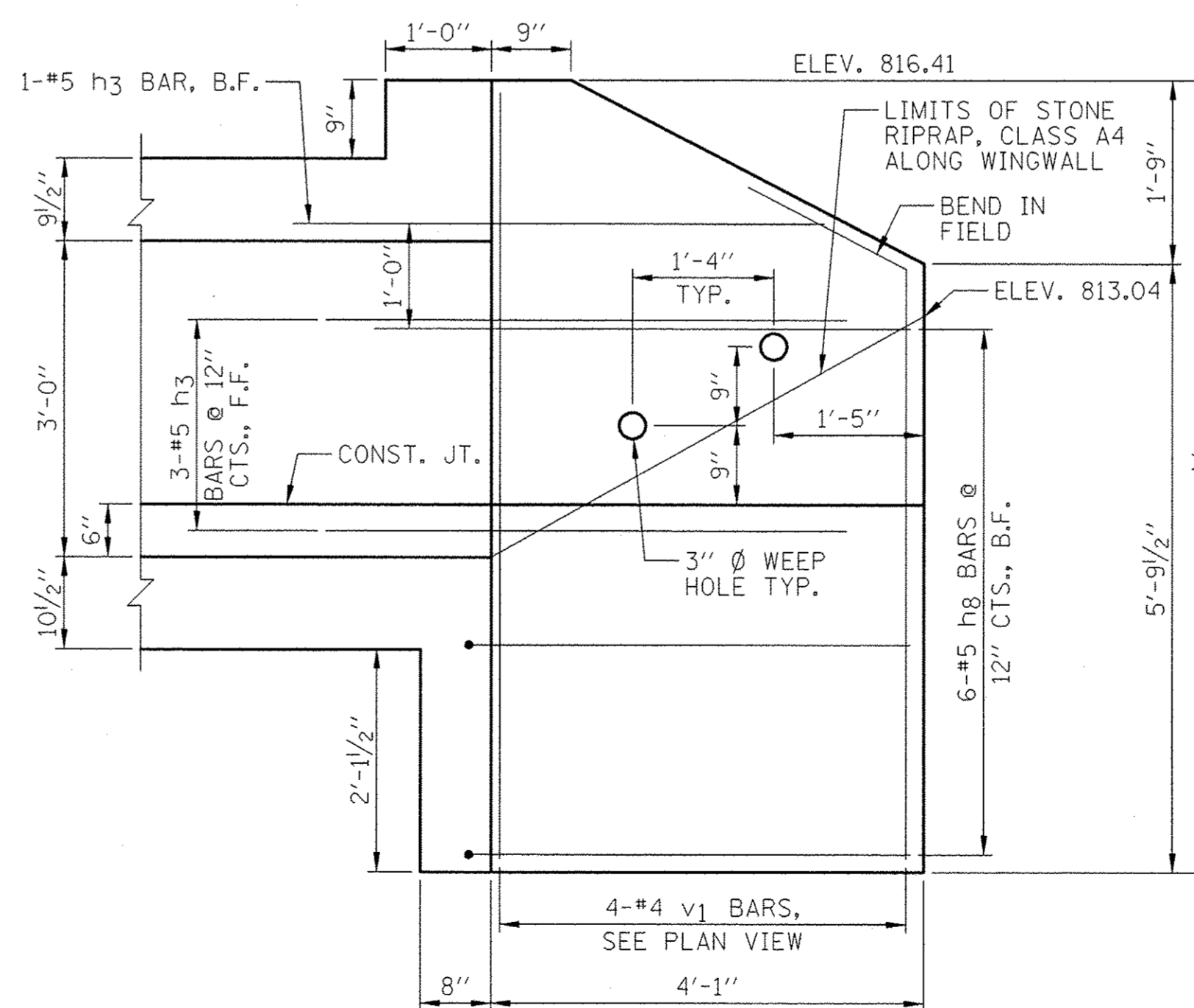


EXPANSION BOLT LOCATIONS

NOTE: EXPANSION BOLTS SHALL CONSIST OF SELF DRILLING EXPANSION SHIELDS AND 3/4" DIAMETER HOOKED BOLTS. HOOKED BOLTS SHALL EXTEND A MINIMUM OF 9" INTO NEW CONCRETE. MINIMUM CERTIFIED PROOF LOAD = 4,080 LBS.



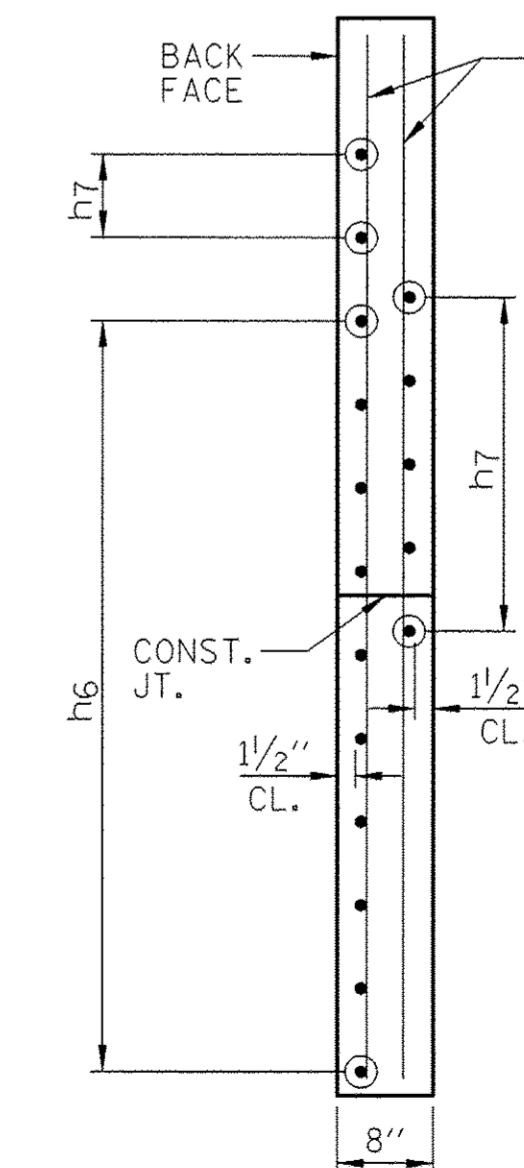
ELEVATION F-F



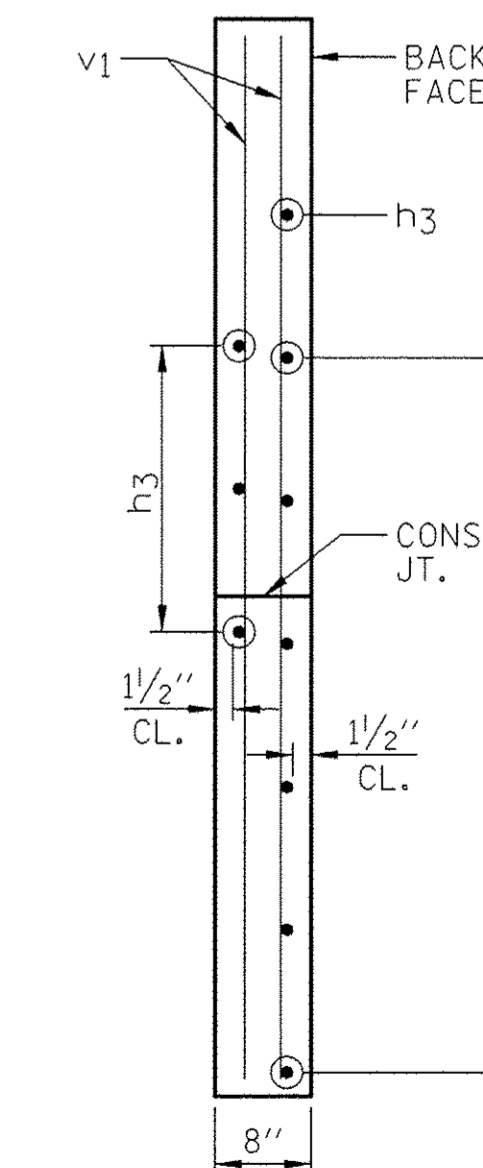
ELEVATION G-G

NOTE:

B.F. DENOTES BACK FACE & F.F. DENOTES FRONT FACE.



SECTION H-H



SECTION I-I