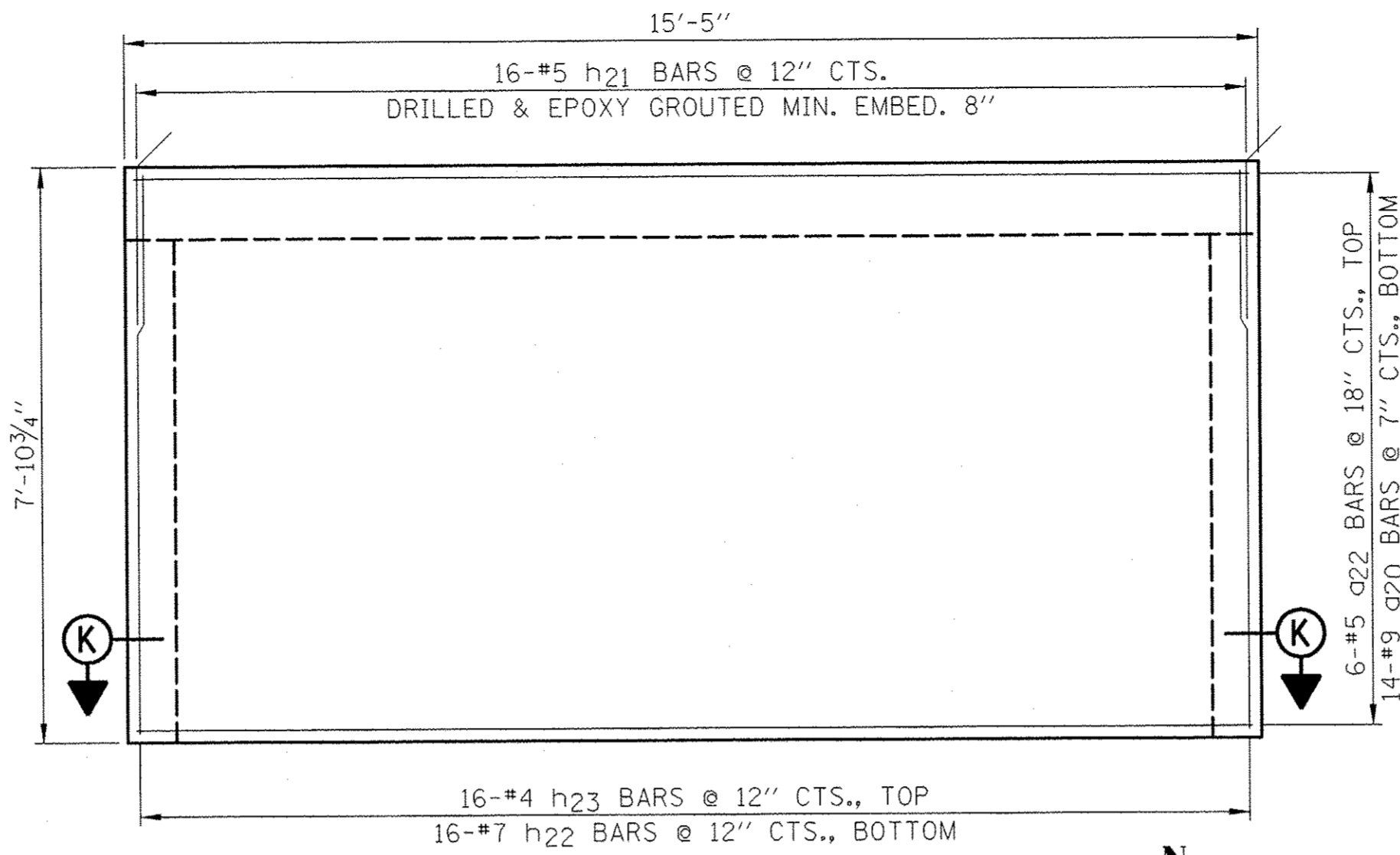
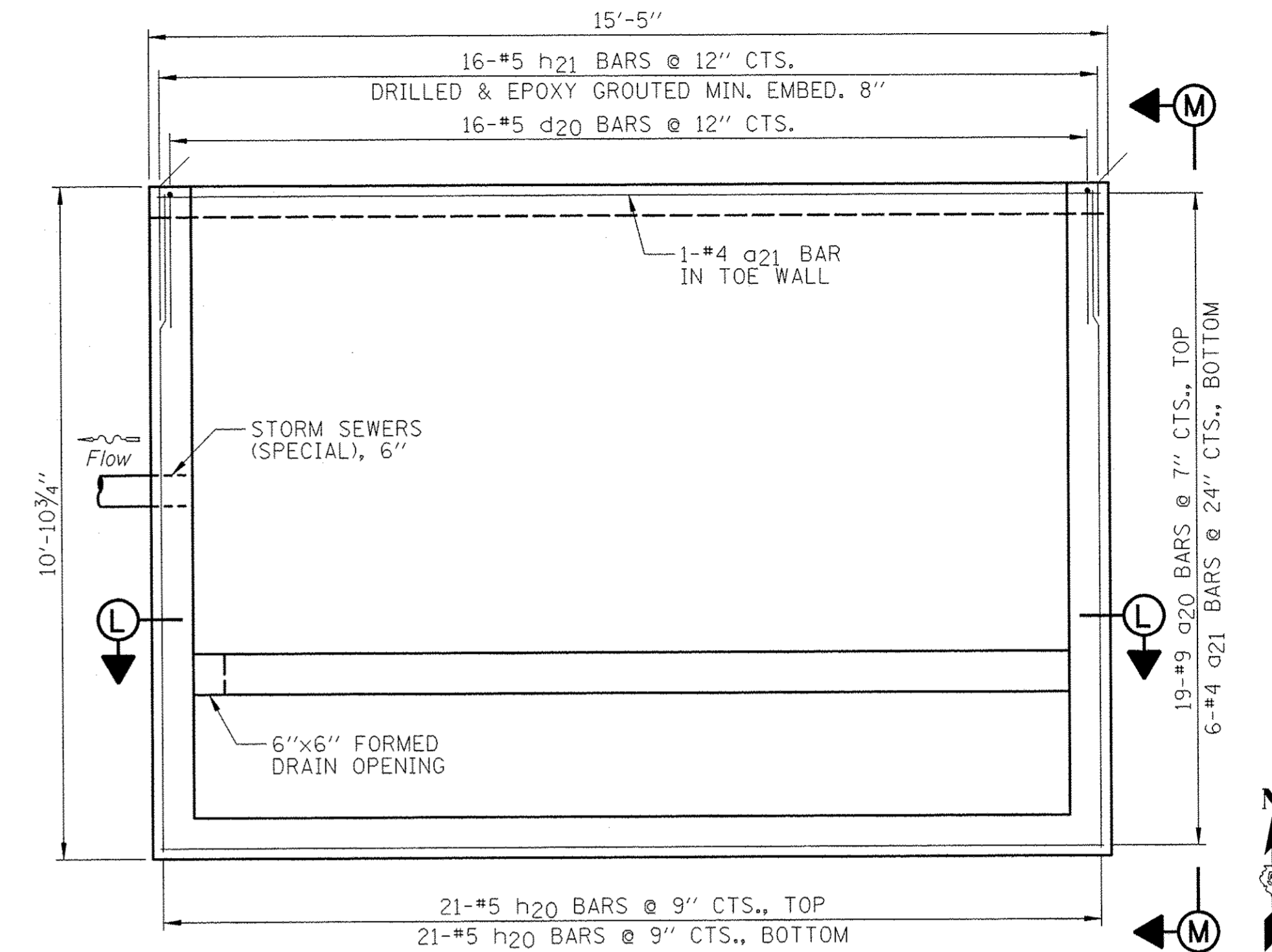


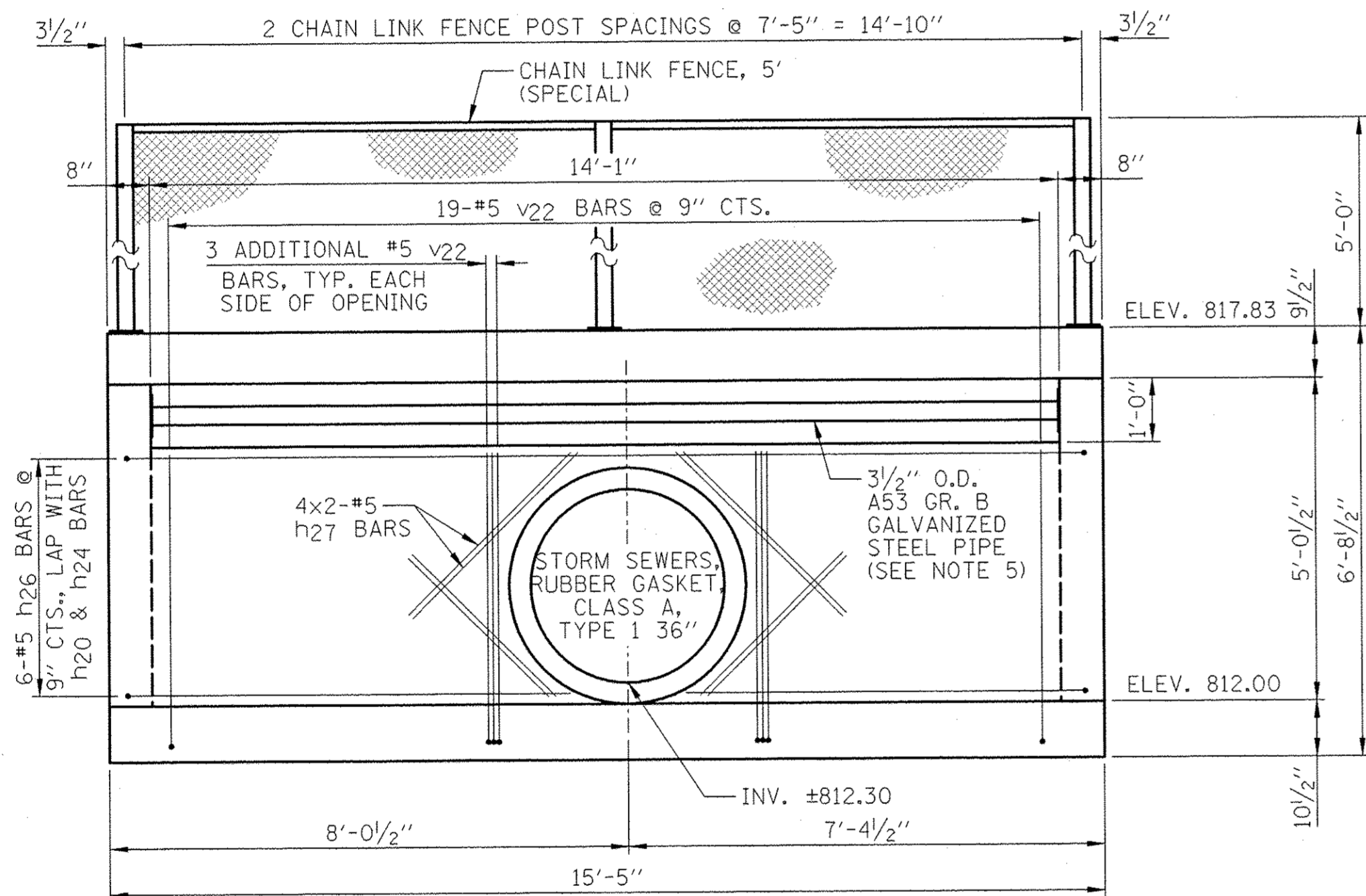
TOP SLAB PLAN @ SIDEWALK



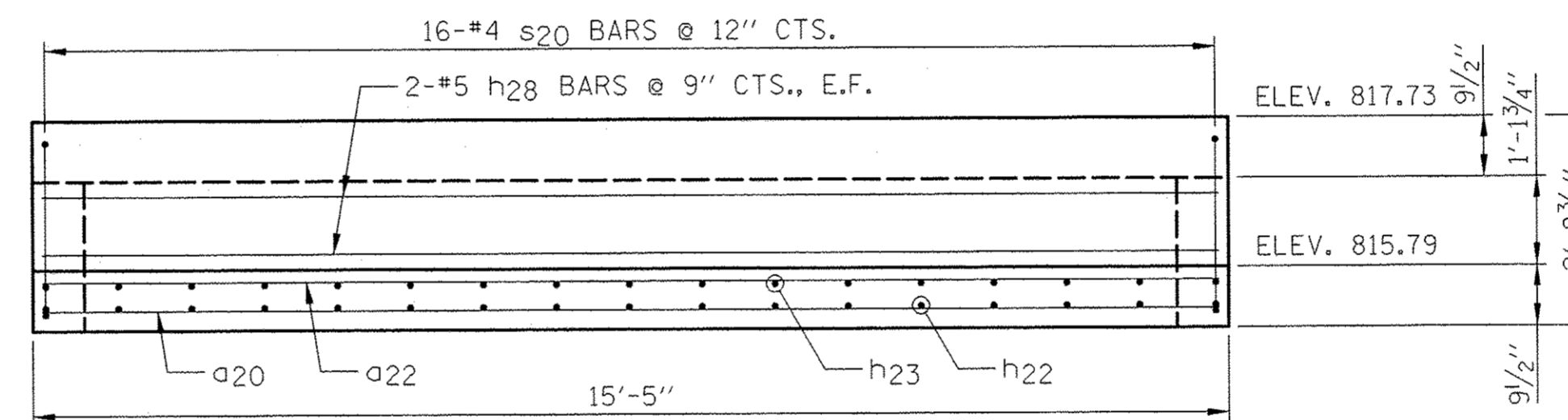
TOP SLAB PLAN @ ELEVATION 815.79



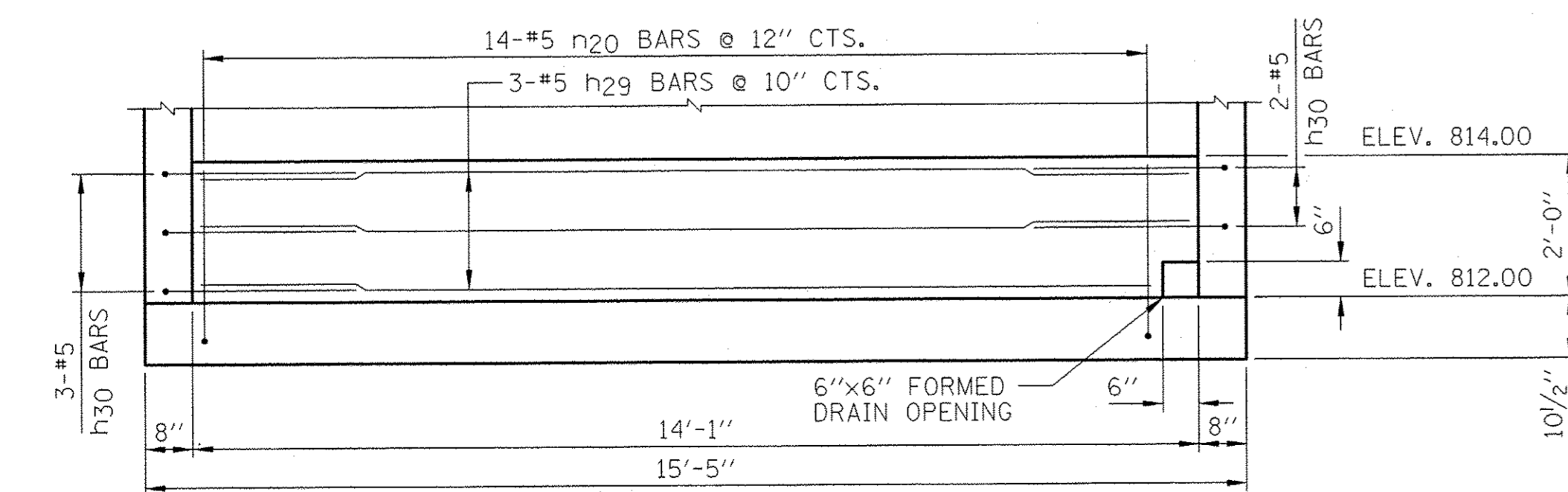
BOTTOM SLAB PLAN



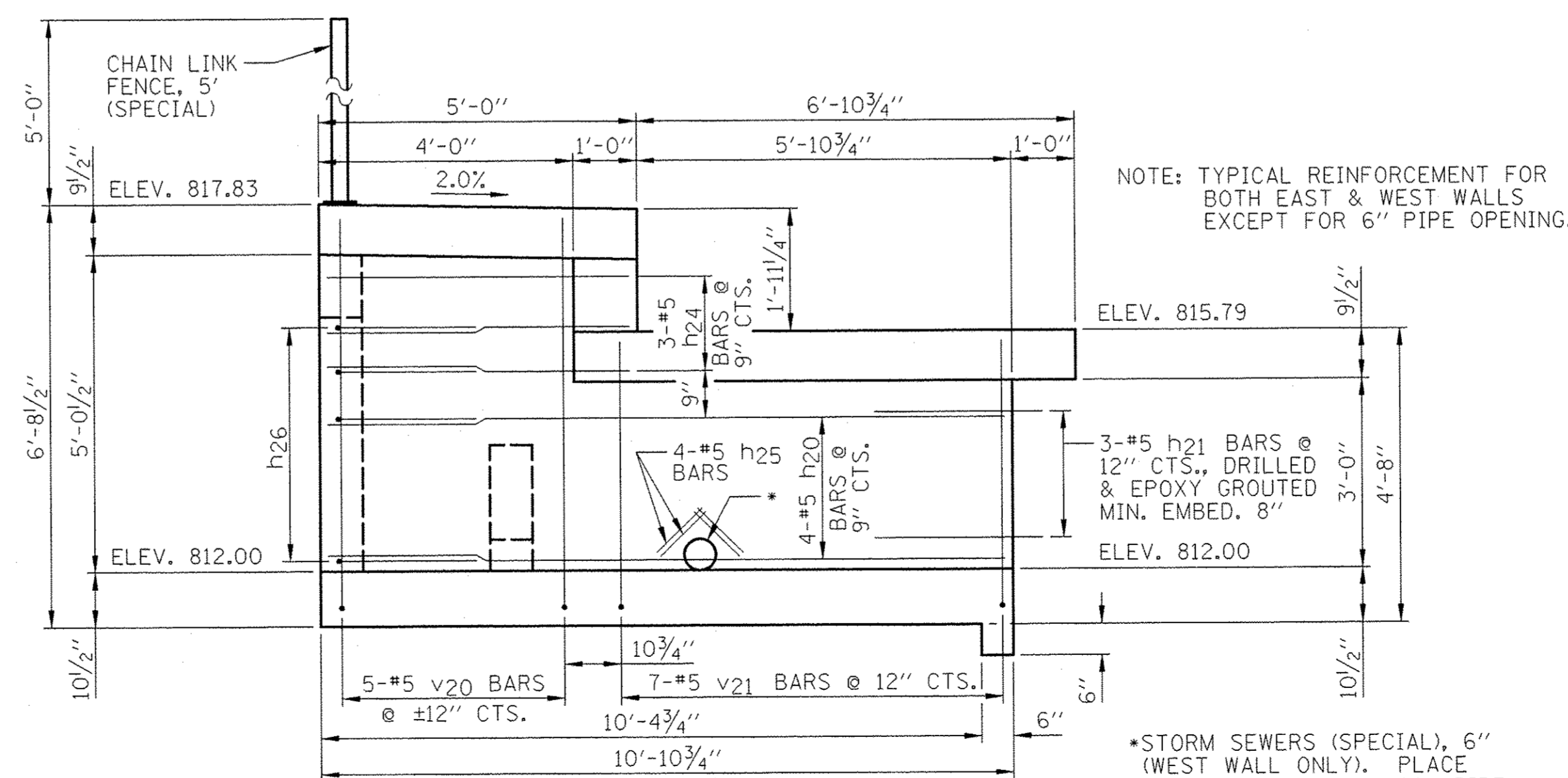
ELEVATION J-J



ELEVATION K-K



ELEVATION L-L
(FILLET NOT SHOWN FOR CLARITY)



ELEVATION M-M
(FILLETS NOT SHOWN FOR CLARITY)

NOTE: TYPICAL REINFORCEMENT FOR BOTH EAST & WEST WALLS EXCEPT FOR 6" PIPE OPENING.

*STORM SEWERS (SPECIAL), 6" (WEST WALL ONLY). PLACE REINFORCEMENT TO MISS PIPE.

NOTES:

- 1.) CUT BARS TO FIT AROUND OPENINGS.
- 2.) SEE SHEET C1 FOR LOCATION OF THE JUNCTION STRUCTURE.
- 3.) REINFORCEMENT IN TOP & BOTTOM SLABS NOT SHOWN FOR CLARITY IN ELEVATION VIEWS.
- 4.) E.F. DENOTES EACH FACE.
- 5.) COST FOR 3/4" A53 GR. B GALVANIZED STEEL PIPE IS INCLUDED IN THE COST OF CONCRETE BOX CULVERTS.