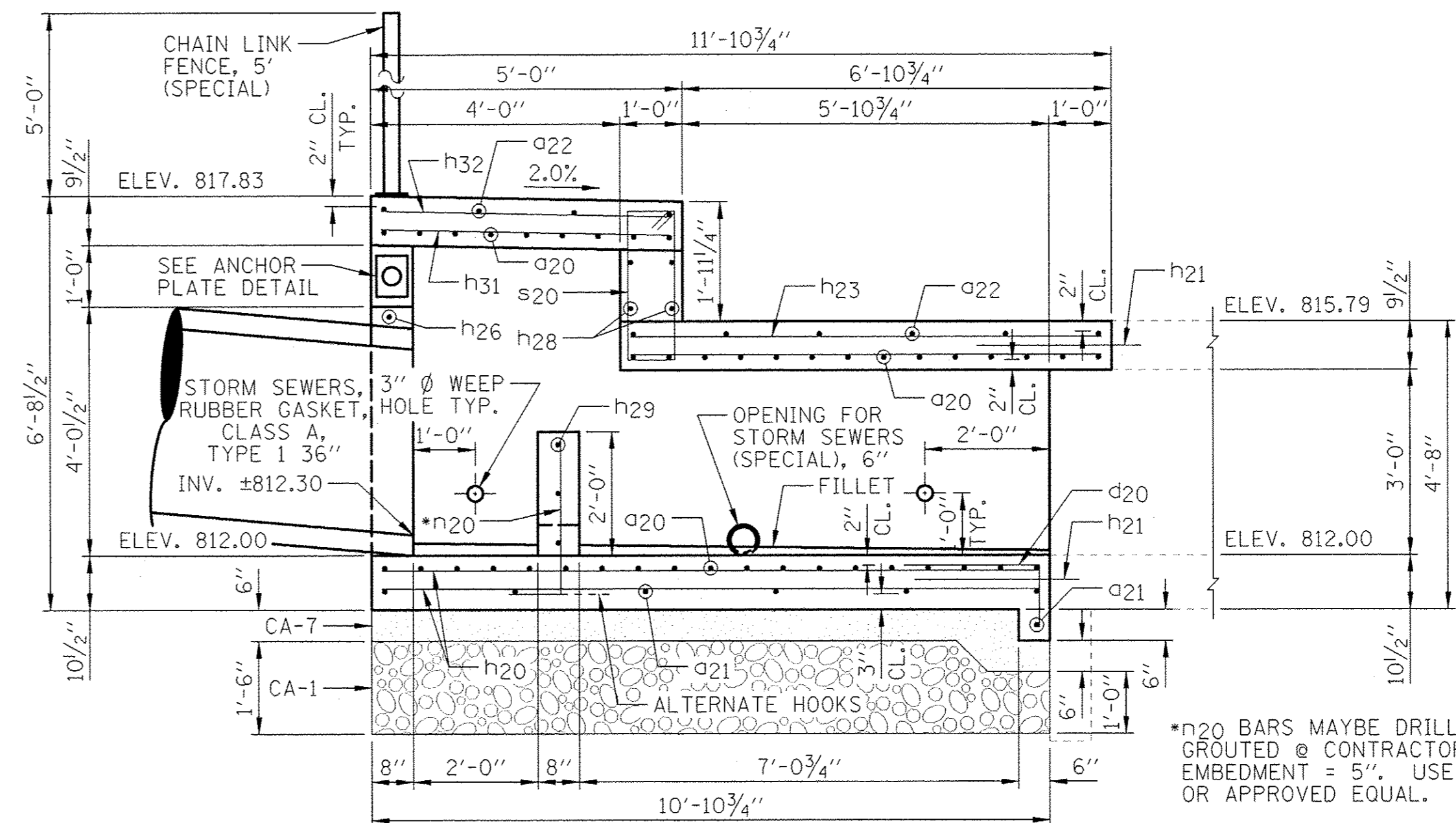
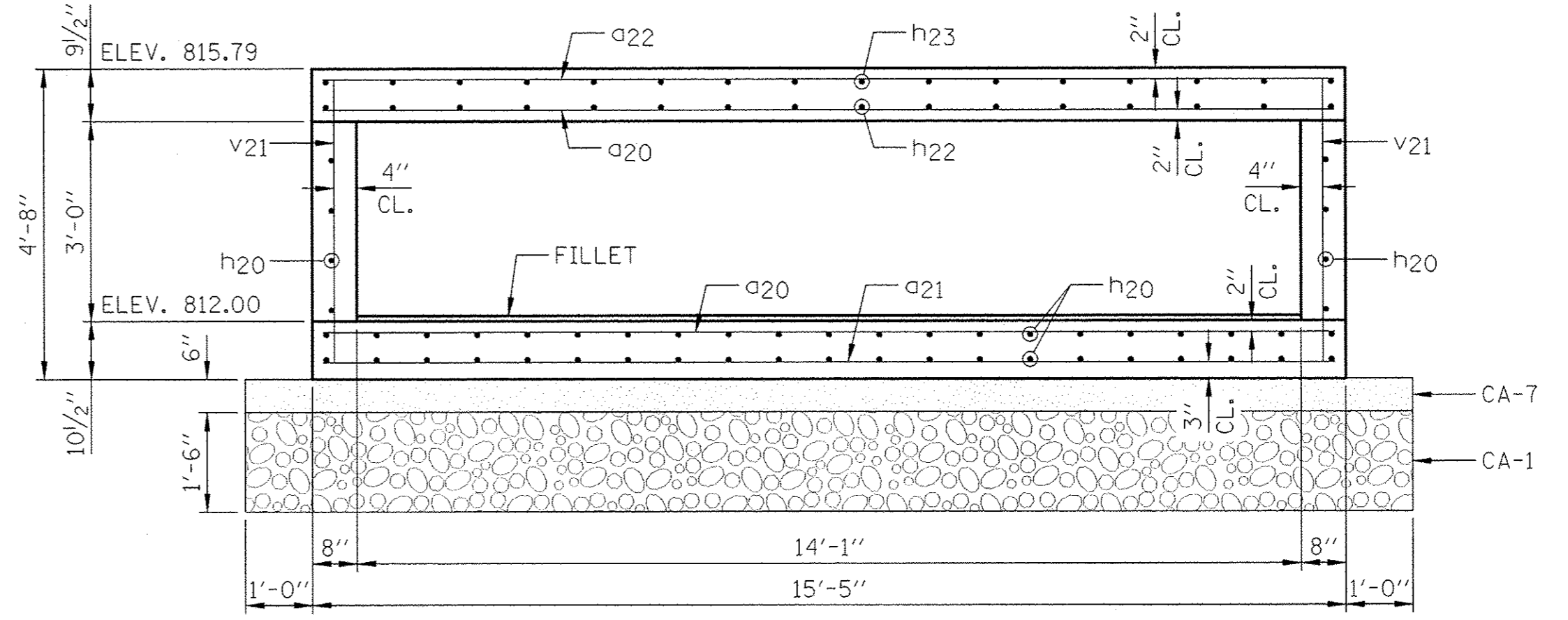


PLAN W/ TOP SLABS REMOVED

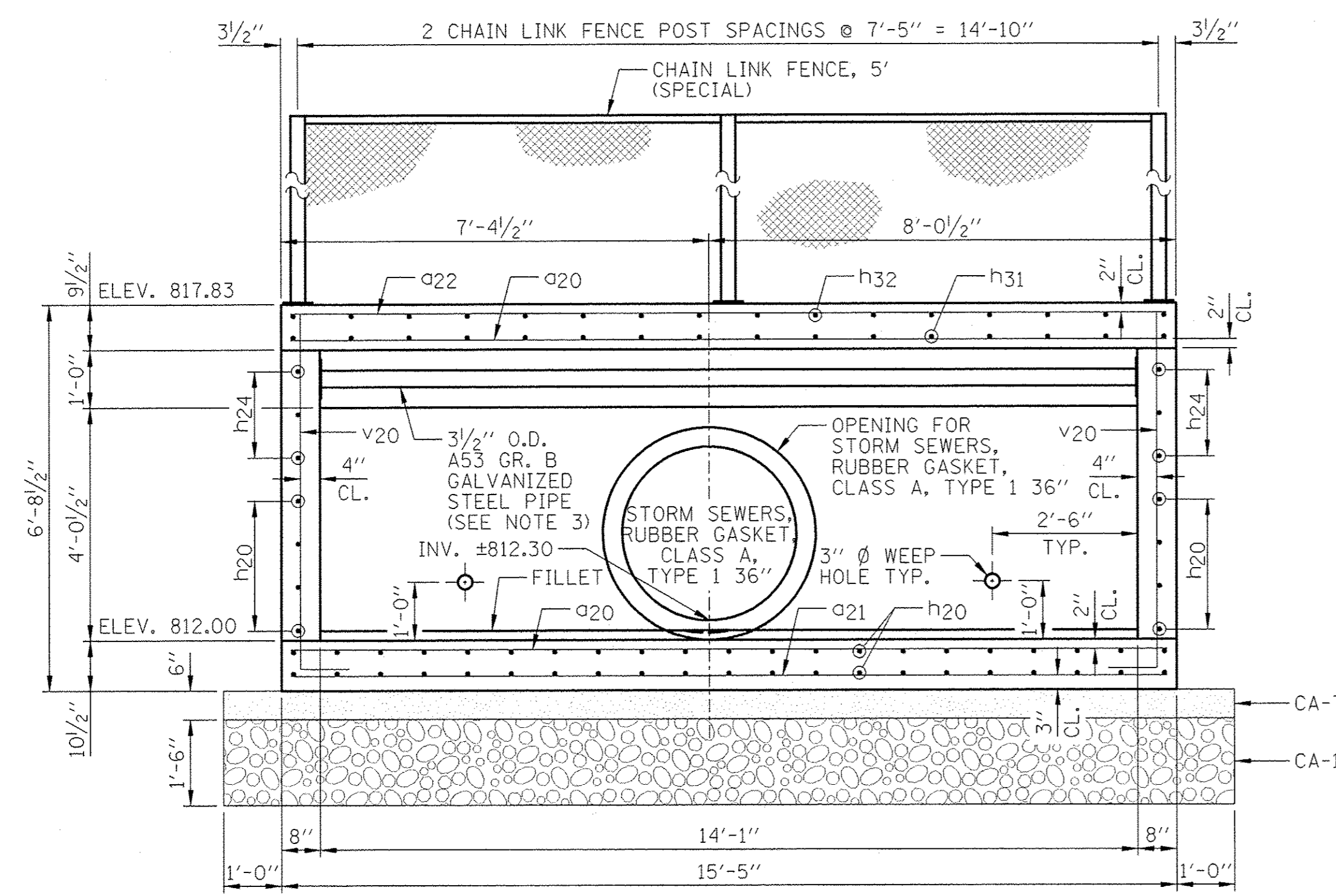


SECTION N-N

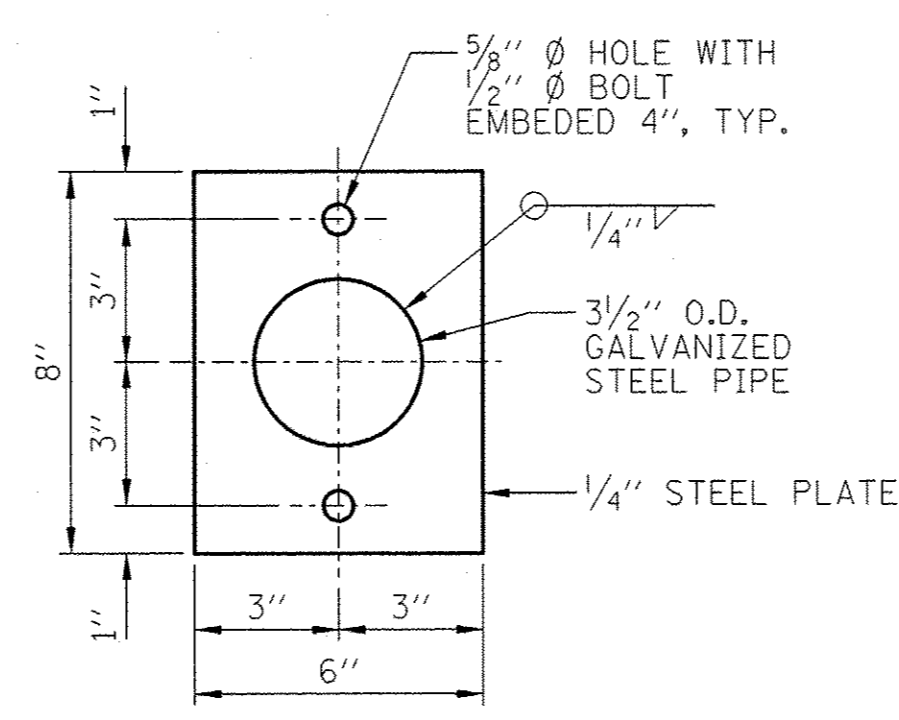
*H20 BARS MAYBE DRILLED & EPOXY GROUTED @ CONTRACTOR'S OPTION MIN. EMBEDMENT = 5". USE HILTI HY150 OR APPROVED EQUAL.



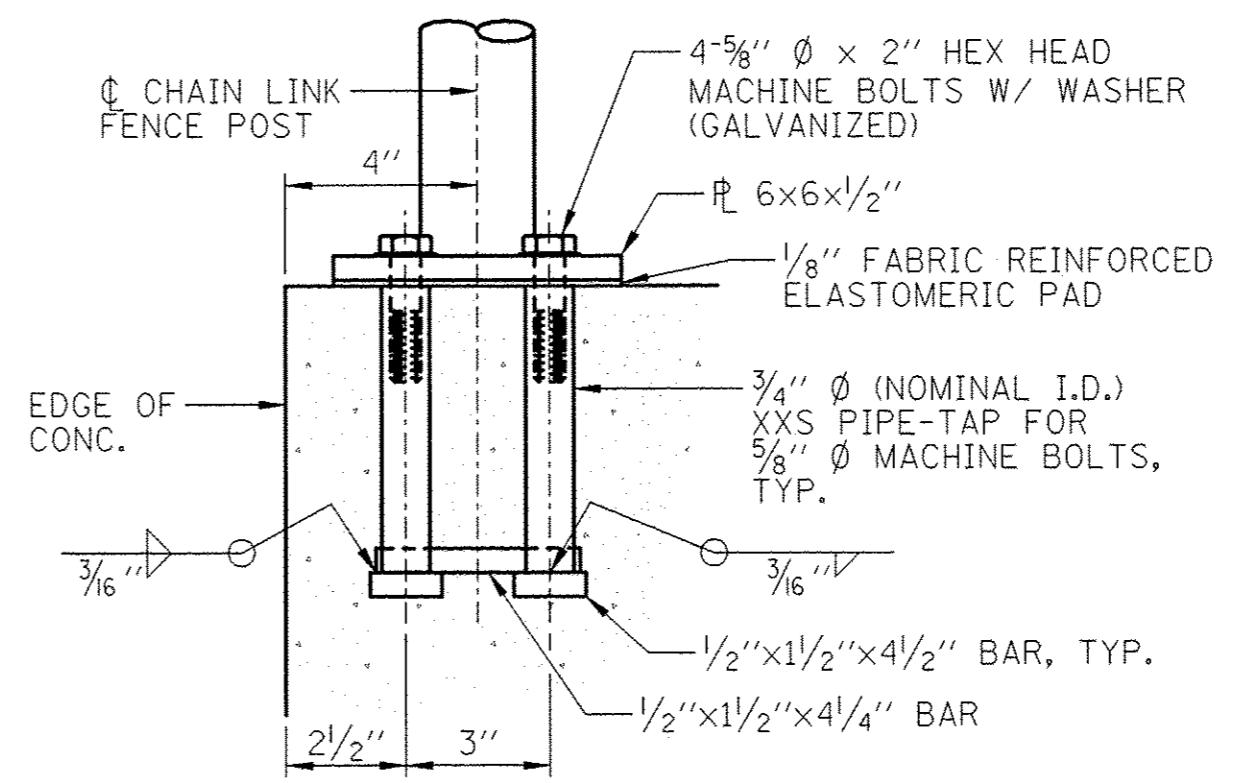
SECTION P-P



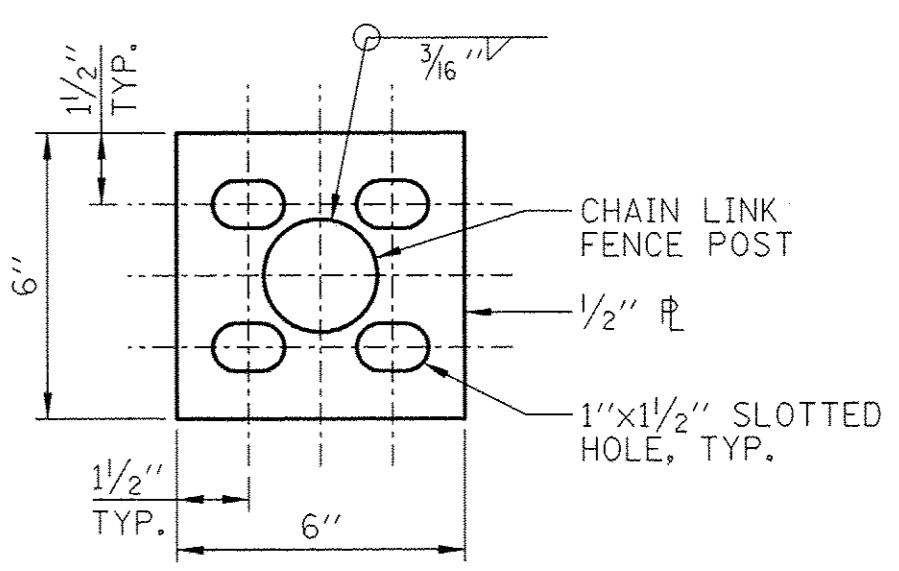
SECTION O-O



ANCHOR PLATE DETAIL



CHAIN LINK FENCE ANCHOR BOLT DETAIL



CHAIN LINK FENCE BASE PLATE DETAIL

NOTES:

- 1.) CUT BARS TO FIT AROUND OPENINGS.
- 2.) SEE SHEET C1 FOR LOCATION OF THE JUNCTION STRUCTURE.
- 3.) COST FOR 3/2\"/>

Farnsworth GROUP, INC.
2709 McGraw Drive
Bloomington, Illinois 61704
309/663-8435, 309/663-1571 fax

DESIGNED - TCR
CHECKED - MSW
DRAWN - DJM
DATE - 01/18/13

REVIS
REVIS
REVIS
REVIS

TOWN OF NORMAL

JUNCTION STRUCTURE PLAN AND SECTIONS

SHEET NO. C6 OF 7 SHEETS

F.A.U. RTE. 6375	SECTION 00-00206-00-RP	COUNTY MCLEAN	TOTAL SHEETS 129	SHEET NO. 90
CONTRACT NO. 91479				ILLINOIS FED. AID PROJECT