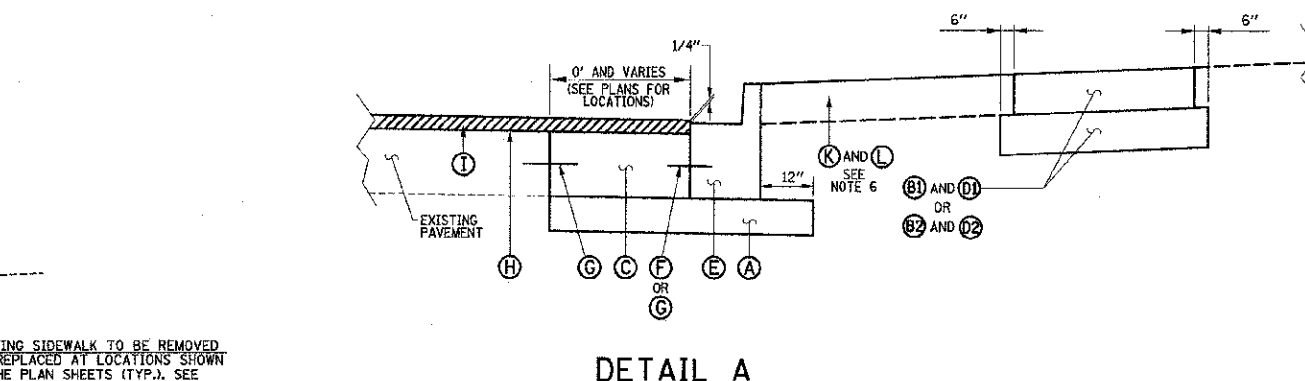
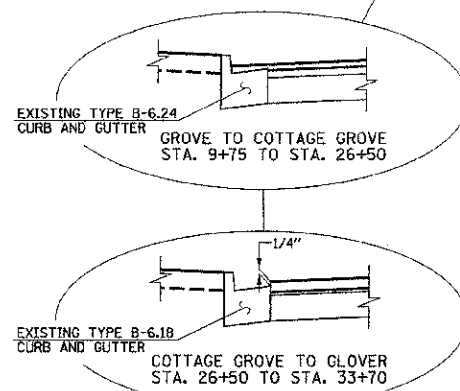
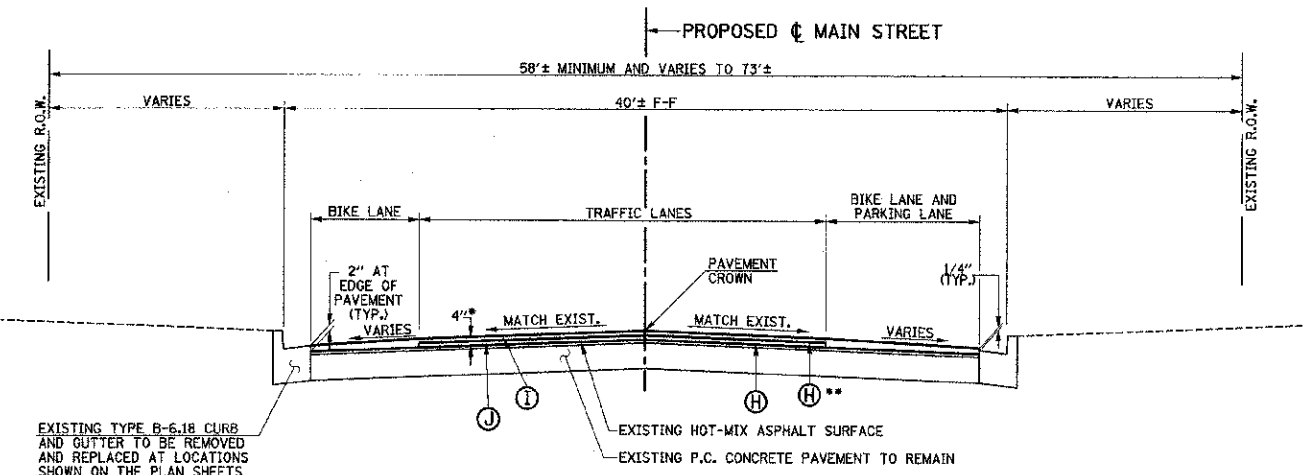


**PROPOSED TYPICAL CROSS SECTION  
MAIN STREET**  
FROM GROVE STREET TO GLOVER AVENUE  
STA. 9+75 TO STA. 33+70

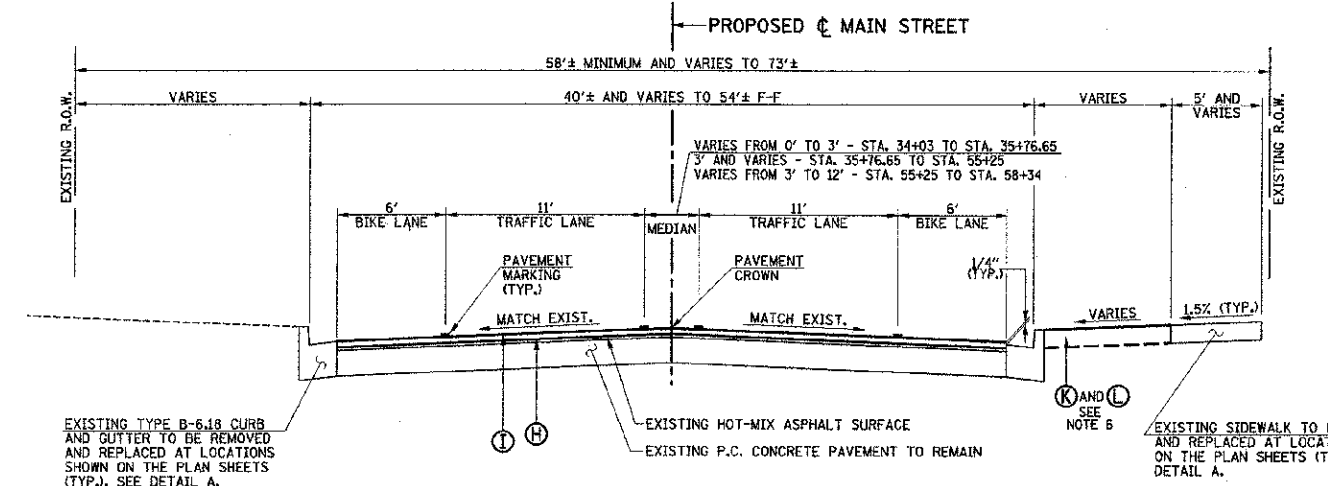


**DETAIL A**



**PROPOSED TYPICAL PAVING SECTION  
MAIN STREET**  
FROM COTTAGE GROVE AVENUE TO RAILROAD TRACKS  
STA. 26+00 TO STA. 39+03

\* TRANSITION FROM 2" AT STA. 26+00 TO 4" AT STA. 26+50.  
TRANSITION FROM 4" AT STA. 38+20 TO 2" AT STA. 39+03.  
SEE MISCELLANEOUS DETAILS FOR ADDITIONAL INFORMATION.  
\*\* AS DIRECTED BY THE ENGINEER



**PROPOSED TYPICAL CROSS SECTION  
MAIN STREET**  
FROM GLOVER AVENUE TO ART BARTELL ROAD  
STA. 33+70 TO STA. 58+70

**PROPOSED TYPICAL SECTION KEY**

- (A) SUBBASE GRANULAR MATERIAL, TYPE B 4"
- (B) AGGREGATE BASE COURSE, TYPE B (SEE SPECIAL PROVISIONS)
- (B2) AGGREGATE BASE COURSE, TYPE B 4"
- (C) PORTLAND CEMENT CONCRETE BASE COURSE 10"
- (D) PORTLAND CEMENT CONCRETE SIDEWALK 6"
- (D2) BRICK SIDEWALK
- (E) COMBINATION CONCRETE CURB AND GUTTER, TYPE B-6.12  
COMBINATION CONCRETE CURB AND GUTTER, TYPE B-6.18  
COMBINATION CONCRETE CURB AND GUTTER, TYPE B-6.24  
(SEE ROADWAY PLANS FOR TYPE)
- (F) LONGITUDINAL CONSTRUCTION JOINT WITH NO. 6 X 30" TIE BARS AT 24" CENTERS FORMED IN PLACE (STD. 420001)
- (G) LONGITUDINAL CONSTRUCTION JOINT WITH NO. 6 X 24" TIE BARS AT 24" CENTERS DRILLED AND GROUTED IN PLACE (STD. 420001) (PERFORMED HOLES WITH GROUTED TIE BARS WILL NOT BE ALLOWED)
- (H) BITUMINOUS MATERIALS (PRIME COAT) - 0.05 TO 0.10 GAL/SQ YD
- (I) POLYMERIZED HOT-MIX ASPHALT SURFACE COURSE, MIX "D", N90 (2")
- (J) POLYMERIZED LEVELING BINDER (MACHINE METHOD), IL-9.5FG, N90 (2")
- (K) SEEDING (COMPLETE)
- (K1) SEEDING, CLASS 1
- (L) MULCH
- (L1) MULCH, METHOD 2
- (M) TOPSOIL FURNISH AND PLACE 6"
- (N) FIBERGLASS FABRIC REPAIR SYSTEM

FILE NAME = p:\u0070062_urbans - Main Street ITP\Plans\Sheets\106-tyr-sec.dgn	DESIGNED - K.L.R.	REVISED -	STATE OF ILLINOIS DEPARTMENT OF TRANSPORTATION	PROPOSED TYPICAL SECTIONS		F.A.I.I. RTE. 7124	SECTION 09-00483-01-RS	COUNTY CHAMPAIGN	TOTAL SHEET NO. 75	SHEET NO. 11
PLOT DATE = 3/7/2013 7:11:50 PM	DRAWN - J.L.B.	REVISED -		SCALE = NONE	SHEET NO. 11 OF 75 SHEETS	STA. TO STA.	FED. ROAD DIST. NO. ILLINOIS FED. AID PROJECT		CONTRACT NO. 91480	
	CHECKED - S.M.W.	REVISED -								
	DATE - 03/2013	REVISED -								