

PROPOSED \downarrow
MAIN STREET

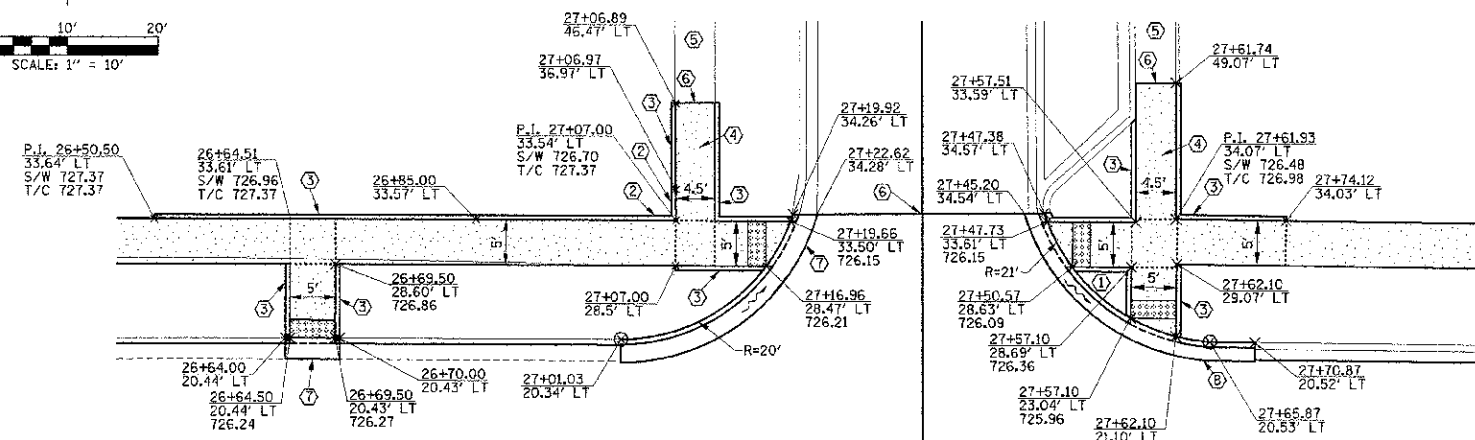
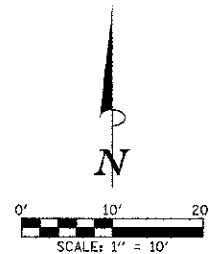
P.I. STA. 21+28.14
(NO CURVE)
N. 1,255,091.74
E. 1,022,714.43

TBM #6
TOP CENTER CAP BOLT OF FIRE
HYDRANT AT STA. 20+98.8 24.52' LT
ELEV. = 726.22

21+16.17 43.74' RT
21+37.95 43.97' RT

MAIN STREET/
LYNN STREET

- KEY NOTES**
- ① 6" RAISED CURB ISLAND POURED MONOLITHICALLY WITH SIDEWALK
 - ② P.C.C. SIDEWALK CURB
 - ③ 6" WIDE CURB POURED MONOLITHICALLY WITH SIDEWALK
 - ④ SIDEWALK TRANSITION AREA
 - ⑤ EXISTING CONCRETE SIDEWALK OR BRICK PAVERS
 - ⑥ MATCH EXISTING
 - ⑦ COMBINATION CONCRETE CURB AND CUTTER, TYPE B-6.24
 - ⑧ COMBINATION CONCRETE CURB AND CUTTER, TYPE B-6.18
 - ⑨ COMBINATION CONCRETE CURB AND CUTTER, TYPE B-6.12
 - ⑩ SEE ROADWAY PLANS



P.I. STA. 27+01.46
(NO CURVE)
N. 1,255,090.36
E. 1,022,714.43

P.I. STA. 27+34.44
(NO CURVE)
N. 1,255,090.20
E. 1,022,747.41

TBM #7
TOP CENTER CAP BOLT OF FIRE
HYDRANT AT STA. 26+75.93 27.41' LT
ELEV. = 729.27

- LEGEND**
- 778.60 \downarrow PROPOSED SPOT ELEVATION
 - OR G.B. PROPOSED GRADE BREAK
 - ~ PROPOSED DIRECTION OF FLOW
 - ⊗ OR R.P. RADIUS POINT
 - S/W SIDEWALK
 - T/C TOP OF CURB
 - [Pattern] PROPOSED CONCRETE SIDEWALK
 - [Pattern] PROPOSED BRICK SIDEWALK
 - [Pattern] PROPOSED DRIVEWAY
 - [Pattern] PROPOSED DETECTABLE WARNINGS

MAIN STREET/
COTTAGE GROVE AVENUE

SEE SCHEDULE OF QUANTITIES FOR
TYPICAL SECTION PAVEMENT PAY ITEMS
AND THEIR LOCATIONS.

PROPOSED PCC BASE COURSE LIMITS ARE NOT
SHOWN FOR CLARITY. FOR PAVEMENT REMOVAL
AND PCC BASE COURSE LIMITS, SEE THE
REMOVAL PLANS AND ROADWAY PLANS.

SEE PROPOSED TYPICAL SECTIONS, HORIZONTAL
ALIGNMENT LAYOUT AND CONTROL PLANS,
REMOVAL PLANS, ROADWAY PLANS, AND
MISCELLANEOUS DETAILS FOR ADDITIONAL
INFORMATION.

FILE NAME =
p:\0070062_Urbana - Main Street ITR\Plans\Sheets\13-int-details.dgn
PLOT DATE =
3/8/2013 11:44:26 PM

DESIGNED - K.L.R.	REVISED -
DRAWN - K.L.R.	REVISED -
CHECKED - S.M.W.	REVISED -
DATE - 03/2013	REVISED -

STATE OF ILLINOIS
DEPARTMENT OF TRANSPORTATION

INTERSECTION DETAILS

SCALE: 1"=10' SHEET NO. 44 OF 75 SHEETS STA. TO STA.

F.A.U. R.T.E.	SECTION	COUNTY	TOTAL SHEETS
7124	09-00483-01-R5	CHAMPAIGN	75 / 44
MAIN STREET		CONTRACT NO. 91480	
FED. ROAD DIST. NO.	ILLINOIS	FED. AID PROJECT	