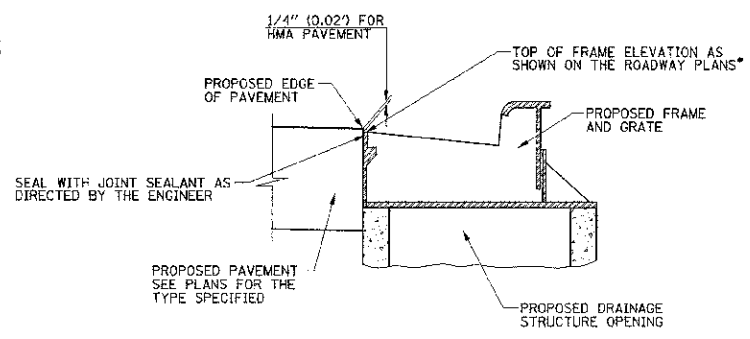


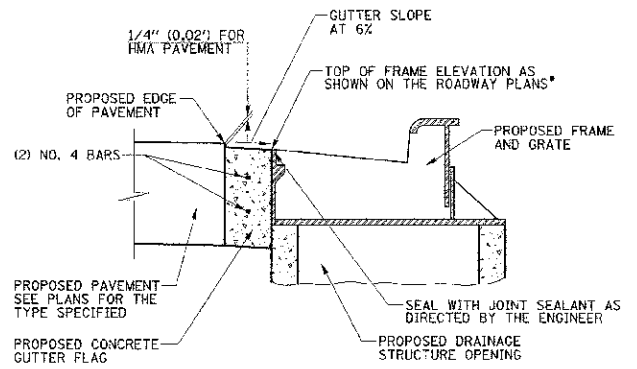
• THE TOP OF FRAME ELEVATIONS SHOWN ON THE ROADWAY PLANS ARE 0.02' LOWER THAN THE ADJACENT PROPOSED EDGE OF PAVEMENT ELEVATIONS FOR HMA PAVEMENT.

TYPE 11 FRAME AND GRATE
(COMB CC&G, TYPE B-6.12)



• THE TOP OF FRAME ELEVATIONS SHOWN ON THE ROADWAY PLANS ARE 0.02' LOWER THAN THE ADJACENT PROPOSED EDGE OF PAVEMENT ELEVATIONS FOR HMA PAVEMENT.

TYPE 3 FRAME AND GRATE
(COMB CC&G, TYPE B-6.18)

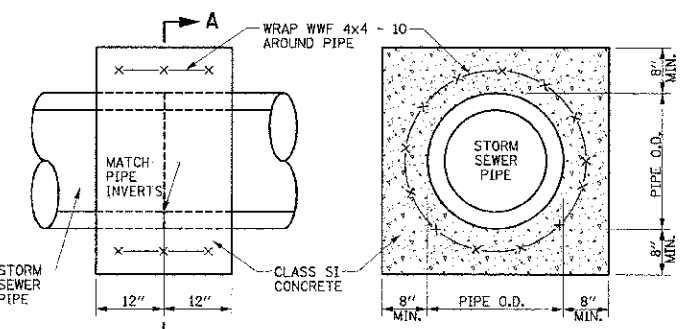


• THE TOP OF FRAME ELEVATIONS SHOWN ON THE ROADWAY PLANS ARE 0.05' LOWER THAN THE ADJACENT PROPOSED EDGE OF PAVEMENT ELEVATIONS FOR HMA PAVEMENT.

TYPE 3 FRAME AND GRATE
(COMB CC&G, TYPE B-6.24)

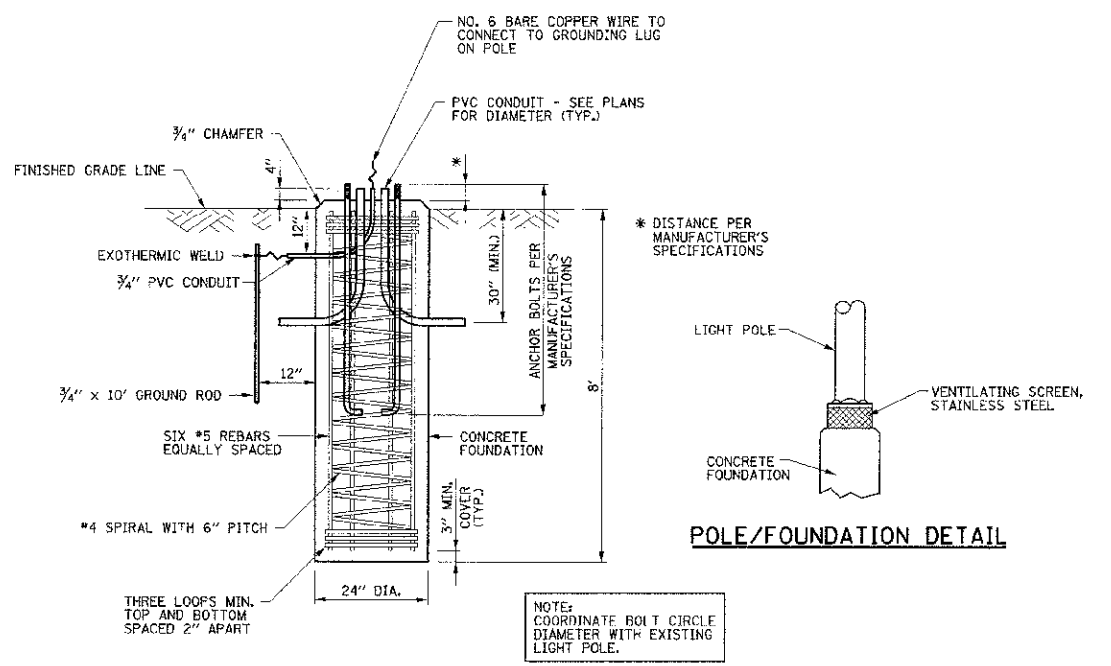
- NOTES**
1. SEE THE ROADWAY PLANS FOR THE LOCATION AND ELEVATION OF THE FRAMES AND GRATES.
 2. SEE STANDARDS 604006 AND 604051 FOR ADDITIONAL INFORMATION.

FRAME AND GRATE DETAILS



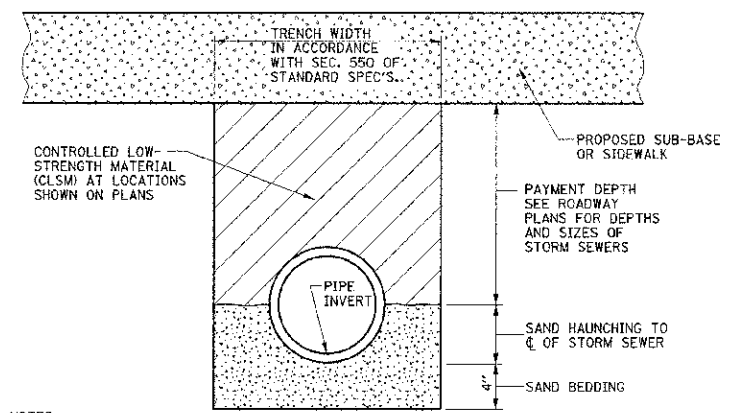
NOTE:
THE CONCRETE COLLARS SHALL BE UTILIZED WHERE CONNECTING STORM SEWERS OF DIFFERENT TYPES OR AS DIRECTED BY THE ENGINEER. THE COST OF CONSTRUCTING THE CONCRETE COLLARS WITH WELDED WIRE FABRIC WILL BE PAID FOR AT THE CONTRACT UNIT PRICE PER CUBIC YARD FOR CONCRETE COLLAR.

CONCRETE COLLAR DETAIL



NOTE:
THIS WORK WILL BE PAID FOR AT THE CONTRACT UNIT PRICE PER FOOT FOR LIGHT POLE FOUNDATION, 24\"/>

LIGHT POLE FOUNDATION DETAIL



- NOTES:**
1. THE CLSM SHALL BE PLACED IN LIFTS AS DESCRIBED IN SECTION 593 OF THE STANDARD SPECIFICATIONS.
 2. THE APPLICABLE ARTICLES OF SECTION 550 OF THE STANDARD SPECIFICATIONS SHALL APPLY FOR EXCAVATION, BEDDING AND INSTALLATION OF STORM SEWERS.
 3. THE SAND BEDDING AND HAUNCHING SHALL BE CONSIDERED INCLUDED IN THE COST OF THE PIPE MATERIAL AND NO ADDITIONAL COMPENSATION WILL BE ALLOWED.
 4. THE CLSM WILL BE PAID FOR IN ACCORDANCE WITH SECTION 593 OF THE STANDARD SPECIFICATIONS FOR CLSM AND INCLUDES PAYMENT FOR THE MATERIAL AS SHOWN ON THE DETAIL. THE QUANTITIES SHOWN ON THE PLANS ARE BASED ON A DEPTH MEASURED FROM THE CENTERLINE OF THE PIPE TO THE BOTTOM LIMITS OF THE PROPOSED SUB-BASE OR SIDEWALK.

CONTROLLED LOW-STRENGTH MATERIAL DETAIL

FILE NAME =
p:\U0070082_Urbana - Main Street ITP\Plans\sheets\19-misc-details.dgn
PLOT DATE =
3/7/2013 7:11:52 PM

DESIGNED - K.L.R.	REVISED -
DRAWN - A.E.A.	REVISED -
CHECKED - S.M.W.	REVISED -
DATE - 03/2013	REVISED -

STATE OF ILLINOIS
DEPARTMENT OF TRANSPORTATION

MISCELLANEOUS DETAILS

SCALE: NONE SHEET NO. 61 OF 75 SHEETS STA. TO STA.

F.A.U. RTE.	SECTION	COUNTY	TOTAL SHEETS	SHEET NO.
7124	09-00483-01-R5	CHAMPAIGN	75	61
MAIN STREET		CONTRACT NO. 91480		
FED. ROAD DIST. NO.		ILLINOIS FED. AID PROJECT		