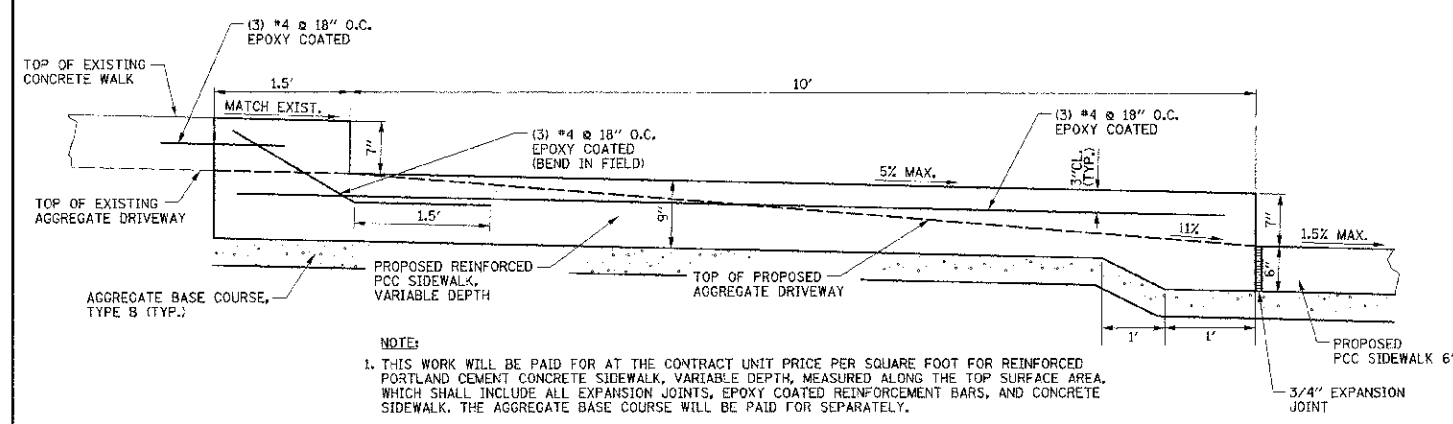


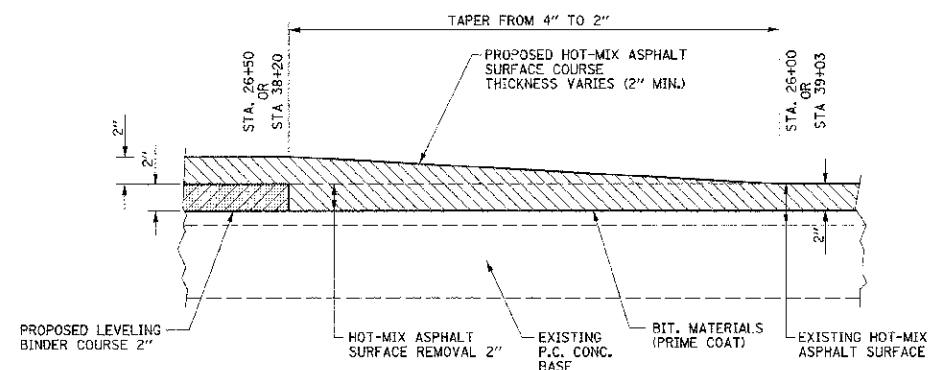
- NOTE:**
1. THIS WORK WILL BE PAID FOR AT THE CONTRACT UNIT PRICE PER SQUARE FOOT FOR CONCRETE STEPS, MEASURED ALONG THE TOP SURFACE AREA, WHICH SHALL INCLUDE ALL EXPANSION JOINTS, EPOXY COATED REINFORCEMENT BARS, AND CONCRETE SIDEWALK BETWEEN THE STEPS AND THE EXISTING CURB AND GUTTER. THE PROPOSED CONCRETE SIDEWALK BEHIND THE STEPS AND THE AGGREGATE BASE COURSE WILL BE PAID FOR SEPARATELY.
 2. ALL CONCRETE STEPS AND ASSOCIATED SIDEWALK SHALL BE 4 FEET WIDE.

CONCRETE STEPS DETAIL



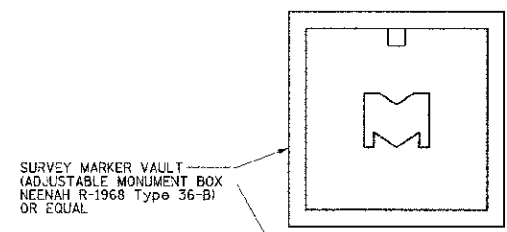
- NOTE:**
1. THIS WORK WILL BE PAID FOR AT THE CONTRACT UNIT PRICE PER SQUARE FOOT FOR REINFORCED PORTLAND CEMENT CONCRETE SIDEWALK, VARIABLE DEPTH, MEASURED ALONG THE TOP SURFACE AREA, WHICH SHALL INCLUDE ALL EXPANSION JOINTS, EPOXY COATED REINFORCEMENT BARS, AND CONCRETE SIDEWALK. THE AGGREGATE BASE COURSE WILL BE PAID FOR SEPARATELY.
 2. THE REINFORCED PORTLAND CEMENT CONCRETE SIDEWALK SHALL BE 4 FEET WIDE.

REINFORCED PORTLAND CEMENT CONCRETE SIDEWALK, VARIABLE DEPTH DETAIL

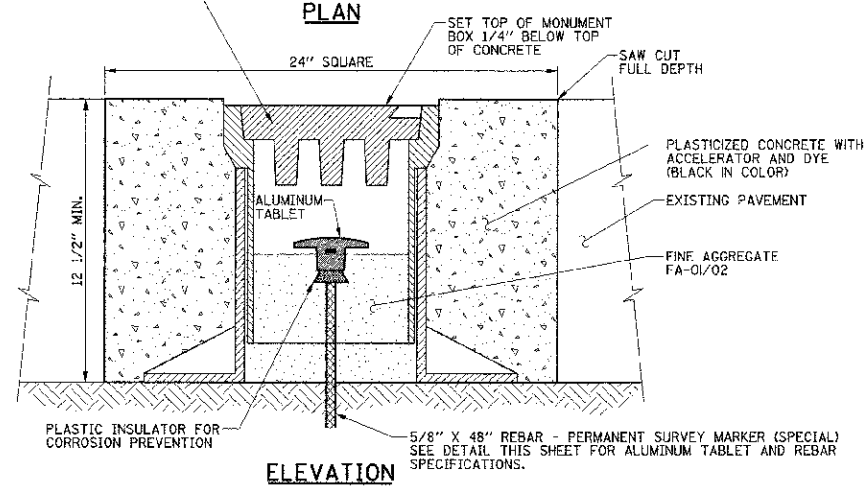


- NOTE:**
- THIS WORK WILL NOT BE PAID FOR SEPARATELY BUT SHALL BE INCLUDED IN THE COST OF THE HOT-MIX ASPHALT SURFACE COURSE, AND NO ADDITIONAL COMPENSATION WILL BE ALLOWED.

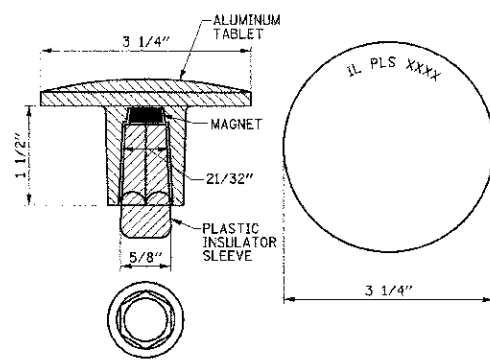
**HOT-MIX ASPHALT RUN DOWN DETAIL
STA. 26+00 TO STA. 26+50 AND STA 38+20 TO STA 39+03**



- NOTES:**
1. WORK SHALL NOT START ON THIS ITEM UNTIL THE H.M.A. PAVING HAS BEEN COMPLETED.
 2. PROTECTING AND PRESERVING SECTION OR SUBSECTION STONES AND OTHER MARKERS SHALL BE DONE IN ACCORDANCE TO SECTIONS 667 AND 668 OF THE STANDARD SPECIFICATIONS. DELETE REFERENCES TO BASIS OF PAYMENT.
 3. THIS WORK WILL BE PAID FOR AT THE CONTRACT UNIT PRICE EACH FOR SURVEY MARKER VAULT, WHICH PRICE SHALL INCLUDE ALL LABOR AND MATERIAL AS SPECIFIED INCLUDING PAVEMENT REMOVAL, MONUMENT BOX, PLASTICIZED BLACK CONCRETE, AND FA-01/02 AGGREGATE, AND NO ADDITIONAL COMPENSATION WILL BE ALLOWED. SEE THE SPECIAL PROVISIONS FOR ADDITIONAL INFORMATION.



SURVEY MARKER VAULT DETAIL



- SPECIFICATIONS FOR ALUMINUM TABLET**
- SURVEY CAP FOR REBAR, 3/4-INCH CONVEX SURVEY CAP FOR 5/8-INCH REBAR WITH LETTERS RECESSED INTO THE SURFACE A MINIMUM OF 0.031 (1/32) INCH FOR EASY AND LONG-TERM LEGIBILITY. THE ALUMINUM CAP FOR REBAR SHALL BE PRODUCED BY THE PROCESS OF ORBITAL FORGING TO PRODUCE A HIGH-STRENGTH AND DURABLE MARKER CAP WHICH WILL NOT CHIP OR BREAK AND PROVIDE A SMOOTH FINISH FOR STAMPING OF DATA IN THE FIELD.
- THE ALUMINUM CAP FOR REBAR SHALL BE TAPERED FOR A PERFECT COMPRESSION FIT. A SPECIAL PLASTIC INSULATOR SHALL BE INSTALLED TO PREVENT DISSIMILAR METAL CONTACT AND CORROSION. THE PLASTIC INSULATOR SHALL FORM READILY TO THE OUTER SHAPE OF THE REBAR AND TO THE INNER SHAPE OF THE ALUMINUM CAP SOCKET. THE PLASTIC INSULATOR SHALL BE LOW DENSITY POLYETHYLENE, A MINIMUM 1-1/2-INCH LONG AND CONFORM TO FEDERAL SPECIFICATION L-P 390.
- COMPOSITION:** ALUMINUM 98.3-98.7%; OTHER 1.3-1.7%.
STRENGTH: YIELD 28 KSI, ULTIMATE 32 KSI.
ELONGATION: 15% (IN TWO INCHES).
SPECIFICATIONS: ALUMINUM ALLOY 6101-0; ASTM B317-83 (EXCEPT TEMPER) AS FORGED. NO EXCEPTIONS.

- NOTES:**
1. ALUMINUM TABLET SHALL BE SET WITH A 5/8" X 48" REBAR.
 2. REFERENCING OF THE EXISTING SURVEY MARKER AND SETTING AND MARKING THE PROPOSED SURVEY MARKER SHALL BE DONE BY AN ILLINOIS PROFESSIONAL LAND SURVEYOR IN ACCORDANCE WITH SECTIONS 667 AND 668 OF THE STANDARD SPECIFICATIONS. DELETE REFERENCES TO BASIS OF PAYMENT.
 3. THIS WORK WILL BE PAID FOR AT THE CONTRACT UNIT PRICE EACH FOR PERMANENT SURVEY MARKERS (SPECIAL) WHICH PRICE SHALL INCLUDE ALL LABOR AND MATERIAL AS SPECIFIED, INCLUDING SETTING AND MARKING THE SURVEY MARKER BY AN ILLINOIS PROFESSIONAL LAND SURVEYOR, AND NO ADDITIONAL COMPENSATION WILL BE ALLOWED.

PERMANENT SURVEY MARKER (SPECIAL) DETAIL

FILE NAME = p:\0070082_Urbana - Main Street ITEP\Plans\sheets\15-misc-details.dgn
 PLOT DATE = 3/11/2013 7:11:53 PM

DESIGNED - K.L.R.	REVISED -
DRAWN - A.E.A.	REVISED -
CHECKED - S.M.W.	REVISED -
DATE - 03/2013	REVISED -

STATE OF ILLINOIS
DEPARTMENT OF TRANSPORTATION

MISCELLANEOUS DETAILS

SCALE: NONE SHEET NO. 64 OF 75 SHEETS STA. TO STA.

F.A.U. RTE.	SECTION	COUNTY	TOTAL SHEETS	SHEET NO.
7124	09-00483-01-RS	CHAMPAIGN	75	64
MAIN STREET			CONTRACT NO. 91480	
FED. ROAD DIST. NO.		ILLINOIS FED. AID PROJECT		