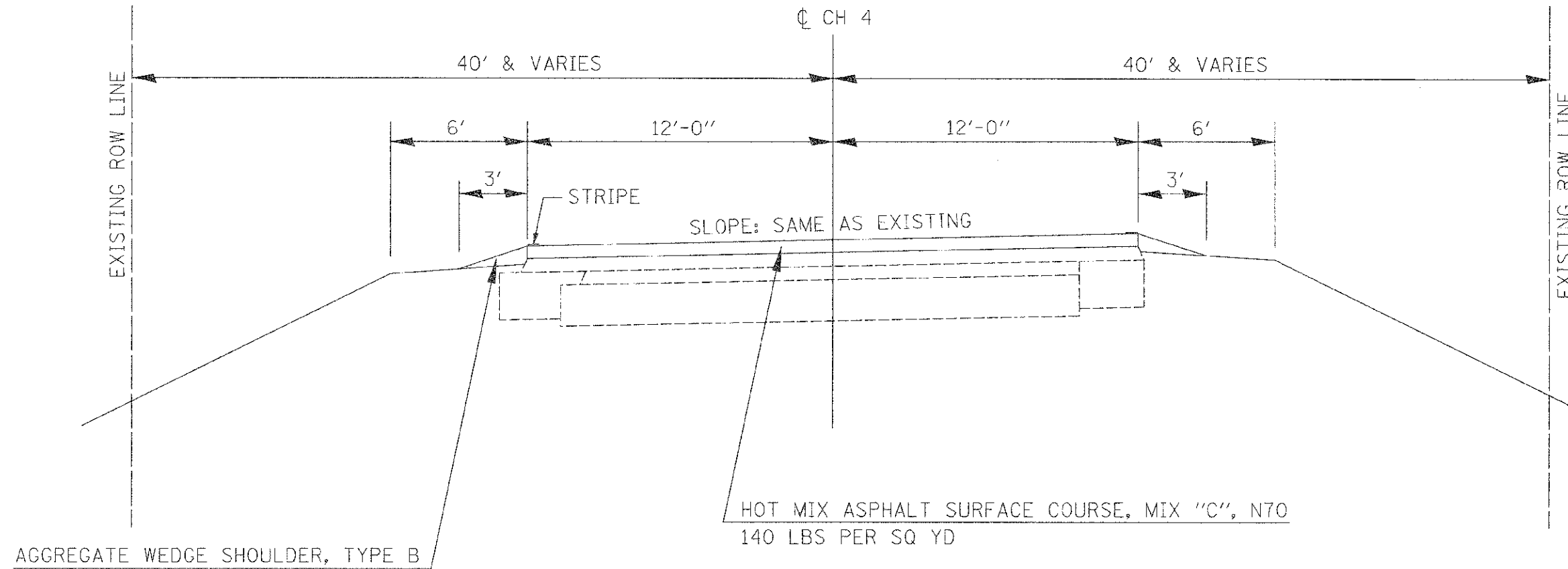


PROPOSED TYPICAL CROSS SECTIONS

ROUTE	SECTION	COUNTY	TOTAL SHEETS	SHEET NO.
AS 880 (CH 4)	12-00111-02-RS	EDGAR	27	7
EDGAR COUNTY, ILLINOIS			CONTRACT NO. 91485	
FED. AID PROJECT				



- STATION 18+00 TO STATION 26+20
- STATION 30+80 TO STATION 39+00
- STATION 41+00 TO STATION 49+50
- STATION 73+22.23 TO STATION 82+25.01
- STATION 93+73.95 TO STATION 99+74.95
- STATION 120+17.81 TO STATION 126+00
- STATION 165+54.42 TO STATION 173+50
- STATION 198+00 TO STATION 204+00

REFLECTOR

<p>TYPICAL SECTION</p> <p>DATE: _____</p> <p>SCALE: NONE</p>	 <p>EDGAR COUNTY HIGHWAY DEPARTMENT</p>
---	---