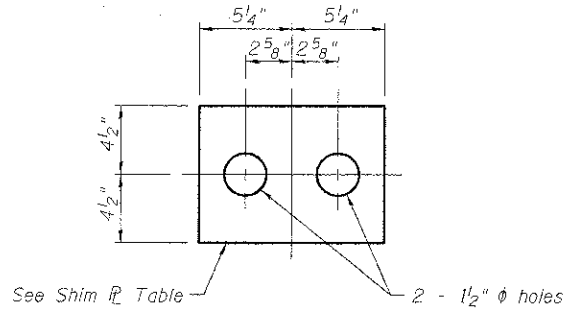


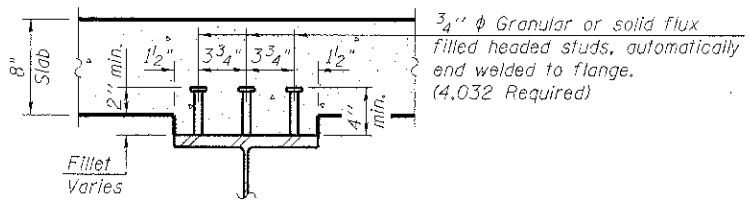
BEAM ELEVATION

"N.T.R." denotes components to which notch toughness requirements are applicable.

Shim Pl. Table	
Size	Location
9" x 10 1/2" x 1/2"	Beam 3 - S. Abut.
9" x 10 1/2" x 1/8"	Beam 4 - S. Abut.
9" x 10 1/2" x 1/4"	Beam 3 - N. Abut.

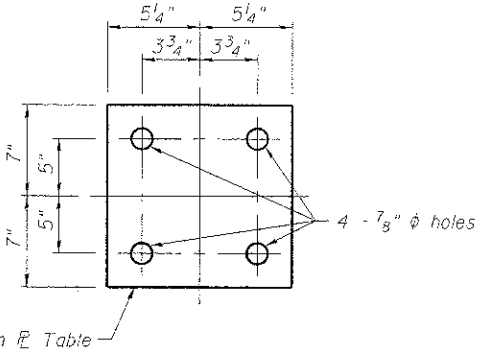


SHIM PLATE - ABUTMENTS



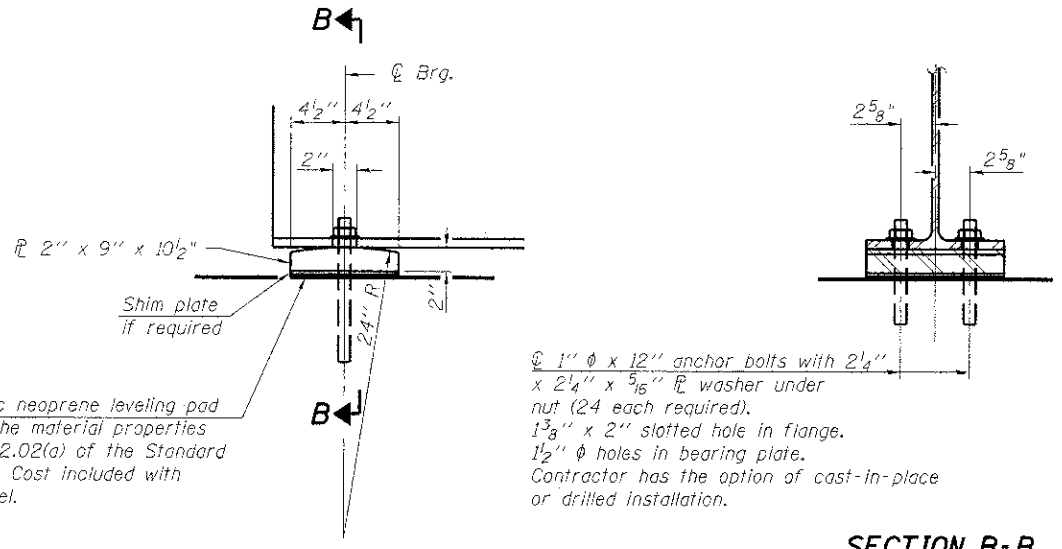
SECTION A-A

Shim Pl. Table	
Size	Location
1'-2" x 10 1/2" x 1/4"	Beam 4 - Pier 1



SHIM PLATE - PIERS

Notes:
 Load carrying components designated "NTR" shall conform to the Supplemental Requirements for Notch Toughness, Zone 2.
 Anchor bolts shall be ASTM F1554 all-thread (or an Engineer-approved alternate material) of the grade(s) and diameter(s) specified. ASTM A307 Grade C anchor bolts may be used in lieu of ASTM F1554 Grade 36 (Fy=36ksi). The corresponding specified grade of AASHTO M314 anchor bolts may be used in lieu of ASTM F1554.
 Drilled and set anchor bolts shall be installed according to Article 521.06 of the Standard Specifications.
 All beams, shim plates, bearing plates, anchor bolts, nuts and washers shall be galvanized in the shop according to AASHTO M111 or F239 as applicable.
 The top of the beams shall be masked to prevent galvanizing at the stud shear connectors according to the Special Provision for Hot Dip Galvanizing for Structural Steel.



ELEVATION AT ABUTMENT

SECTION B-B

FIXED BEARING

©TOP OF BEAM ELEVATIONS								
Beam No.	© Brg. S. Abut.	© Splice 1	© Brg. Pier 1	© Splice 2	© Splice 3	© Brg. Pier 2	© Splice 4	© Brg. N. Abut.
1	743.908	744.278	744.430	744.559	744.722	744.695	744.664	744.491
2	744.064	744.426	744.573	744.699	744.850	744.818	744.784	744.600
3	744.197	744.549	744.692	744.814	744.953	744.918	744.879	744.585
4	744.226	744.569	744.708	744.827	744.954	744.914	744.871	744.567
5	744.152	744.486	744.620	744.735	744.850	744.807	744.760	744.545
6	744.054	744.379	744.509	744.620	744.723	744.676	744.625	744.400

① For fabrication only - theoretical elevation before dead load deflection