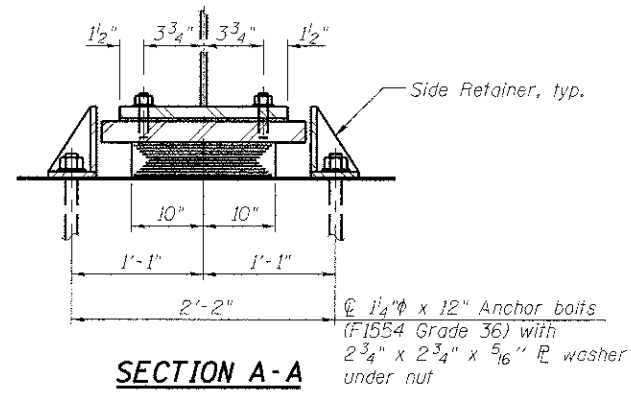
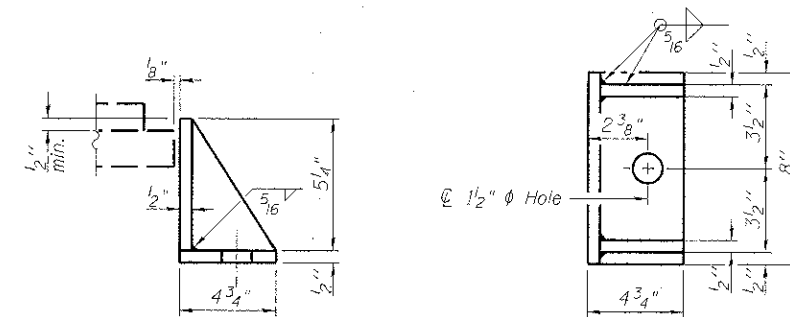


ELEVATION AT PIERS 1 & 2



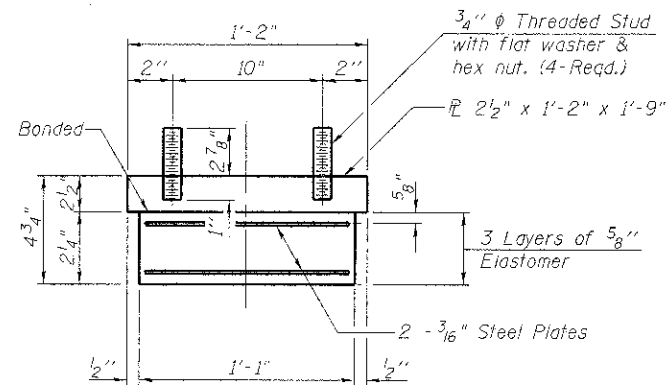
SECTION A-A



SIDE RETAINER

Equivalent rolled angle with stiffeners will be allowed in lieu of welded plates.

TYPE I ELASTOMERIC EXP. BRG. - PIERS 1 & 2



BEARING ASSEMBLY

Note:
Shim plates shall not be placed under Bearing Assembly.

Notes:

Anchor bolts shall be ASTM F1554 all-thread (or an Engineer-approved alternate material) of the grade(s) and diameter(s) specified. ASTM A307 Grade C anchor bolts may be used in lieu of ASTM F1554 Grade 36 (Fy=36ksi). The corresponding specified grade of AASHTO M314 anchor bolts may be used in lieu of ASTM F1554.

Anchor bolts for side retainers may be cast in place or installed in holes drilled before or after members are in place.

Drilled and set anchor bolts shall be installed according to Article 521.06 of the Standard Specifications.

Side retainers and other steel members required for the elastomeric bearing assembly shall be included in the cost of Elastomeric Bearing Assembly, Type I.

The structural steel plates of the Bearing Assembly shall conform to the requirements of AASHTO M270 Grade 50.

Two 1/8 inch adjusting shims shall be provided for each bearing in addition to all other plates or shims and placed as shown on bearing details.

All (embedded and separate) bearing plates, side retainers, anchor bolts, nuts, washers and pintles shall be galvanized according to AASHTO M111 or M232 as applicable.

BILL OF MATERIAL

| Item | Unit | Total |
|---|------|-------|
| Erecting Elastomeric Bearing Assembly, Type I | Each | 12 |
| Anchor Bolts, 1 1/4" | Each | 24 |

| | | | | | | | | | | |
|--|-------------------------------|----------------|----------|--|--|---------------------------|----------------|--------|--------------|-----------|
| FILE NAME = | USER NAME = bgj | DESIGNED - ADL | REVISD - | ADAMS COUNTY HIGHWAY DEPARTMENT | ELASTOMERIC BEARING DETAILS S.N. 001-3338 | F.A.P. RTE. | SECTION | COUNTY | TOTAL SHEETS | SHEET NO. |
| D:\11\files\110015\05 Plans\Bridge Plans Without Structural Steel\Bearings.dgn | PLOT SCALE = 0.083292 1/4 IN. | CHECKED - RJP | REVISD - | | | 1598 | 11-00218-00-BR | ADAMS | 53 | 33 |
| PLOT DATE = 11/5/2012 | | DRAWN - RJP | REVISD - | | | CONTRACT NO. 93590 | | | | |
| | | CHECKED - ADL | REVISD - | | | SHEET NO. 17 OF 29 SHEETS | | | | |