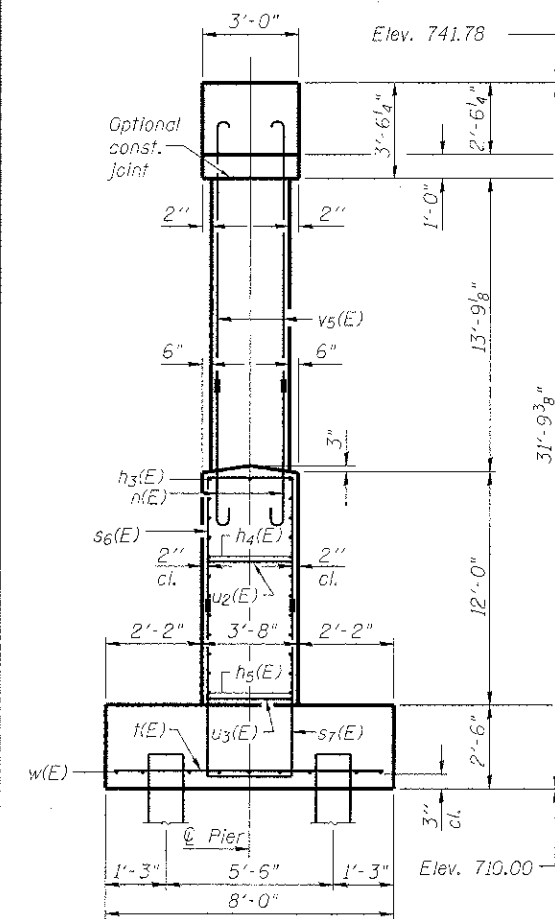
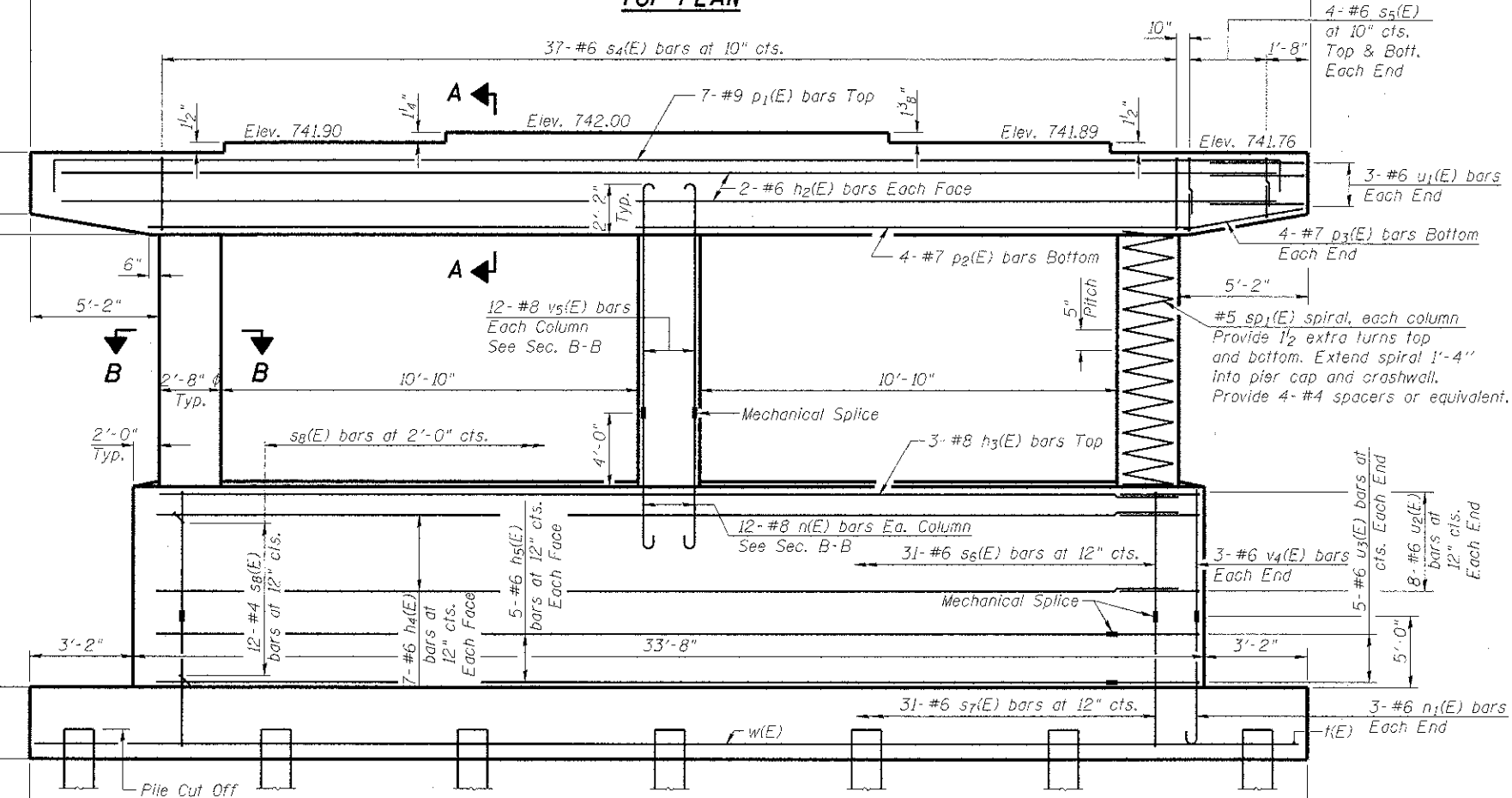


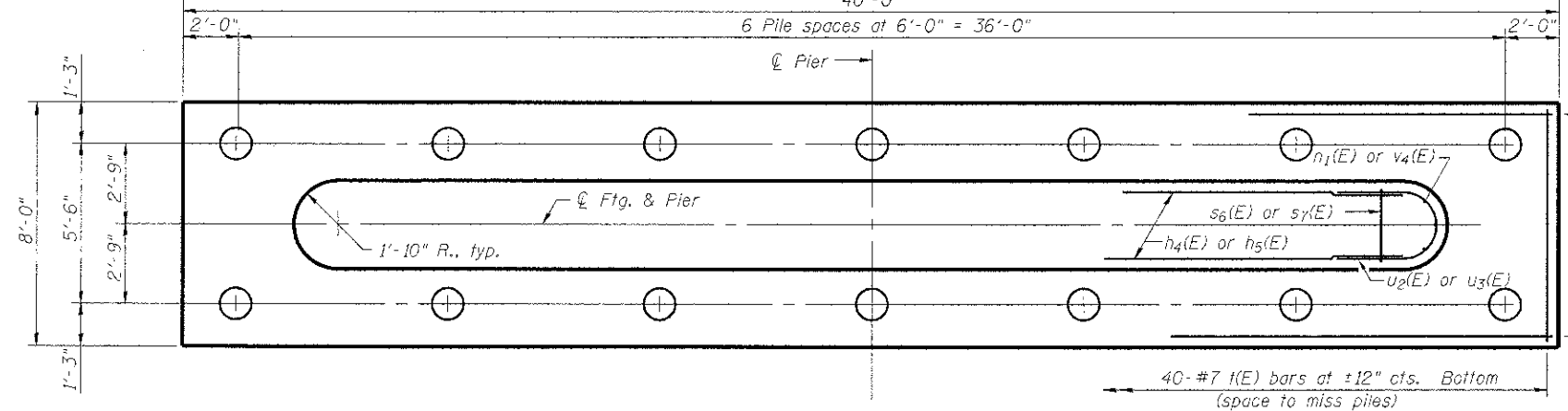
**TOP PLAN**



**END VIEW**



**ELEVATION**  
(Looking North)



**FOOTING PLAN**

Notes:  
 Work this sheet with Sheet 23 of 29.  
 Space reinforcement in cap to miss anchor bolts.  
 Pour steps monolithically with cap.  
 For details of piles, see Sheet 25 of 29.  
 Shim plates shall not be placed under Bearing Assembly.  
 When splicing of spiral reinforcement is necessary, the spirals shall be provided with 1/2 extra turns at the ends to be spliced. These additional turns shall either be welded together according to AWS D1.4, or shall both terminate with a 135° standard hook.

**PILE DATA**

Type: Metal Shell - 12"Ø with 0.250" walls  
 Nominal Required Bearing: 332 Kips/Pile  
 Factored Resistance Available: 183 Kips/Pile  
 Est. Length: 39 Ft./Pile  
 No. Production Piles: 13  
 No. Test Piles: 1\*

**MINIMUM BAR LAP**

#6 bar = 3'-10"

**BILL OF MATERIAL**

Bar	No.	Size	Length	Shape
h2(E)	4	#6	35'-0"	—
h3(E)	3	#8	28'-0"	—
h4(E)	14	#6	28'-0"	—
h5(E)	10	#6	20'-0"	—
n(E)	36	#8	7'-1"	U
n1(E)	6	#6	7'-11"	U
p1(E)	7	#9	40'-2"	—
p2(E)	4	#7	30'-8"	—
p3(E)	8	#7	4'-7"	—
s4(E)	37	#6	13'-0"	□
s5(E)	16	#6	7'-8"	□
s6(E)	31	#6	16'-10"	U
s7(E)	31	#6	17'-10"	U
s8(E)	192	#4	4'-5"	U
sp1(E)	3	#5	16'-5"	W
l(E)	40	#7	7'-8"	—
u1(E)	6	#6	14'-0"	U
u2(E)	16	#6	17'-0"	U
u3(E)	10	#6	15'-0"	U
v4(E)	6	#6	5'-9"	—
v5(E)	36	#8	12'-10"	U
w(E)	9	#6	39'-8"	—
Structure Excavation		Cu. Yd.	117	
Concrete Structures		Cu. Yd.	108.2	
Reinforcement Bars, Epoxy Coated		Pound	10,810	
Furnishing Metal Shell Piles 12" x 0.250"		Foot	507	
Driving Piles		Foot	507	
Test Pile Metal Shells		Each	1	
Mechanical Splicers		Each	124	

\*\* Length is height of spiral.

(Sheet 1 of 2)