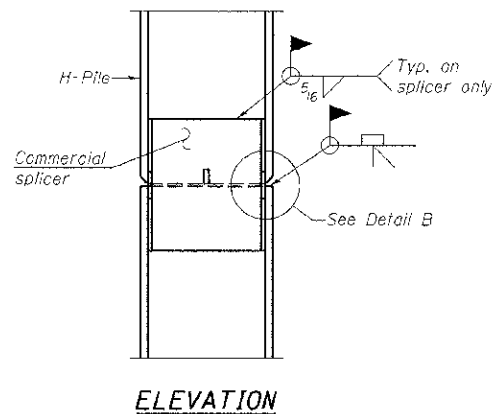
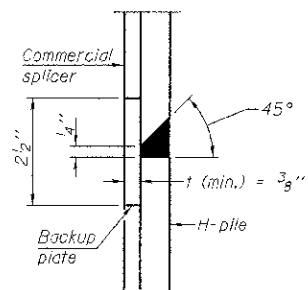


STEEL PILE TABLE

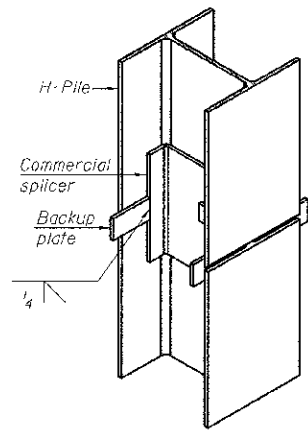
Designation	Depth d	Flange width bf	Web and Flange thickness t	Encasement diameter A
HP 14x117	14 1/4"	14 7/8"	1 5/16"	30"
x102	14"	14 3/4"	1 1/16"	30"
x89	13 5/8"	14 3/4"	5/8"	30"
x73	13 5/8"	14 5/8"	1/2"	30"
HP 12x84	12 1/4"	12 1/4"	1 1/16"	24"
x74	12 1/8"	12 1/4"	5/8"	24"
x63	12"	12 5/8"	1/2"	24"
x53	11 3/4"	12"	7/16"	24"
HP 10x57	10"	10 1/4"	9/16"	24"
x42	9 3/4"	10 5/8"	7/16"	24"
HP 8x36	8"	8 1/8"	7/16"	18"



ELEVATION

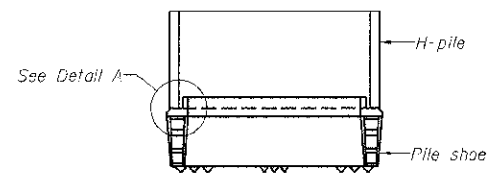


DETAIL "B"

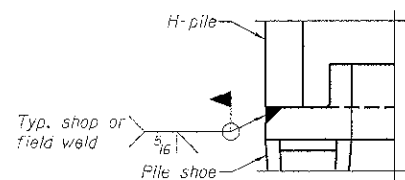


ISOMETRIC VIEW

WELDED COMMERCIAL SPLICE

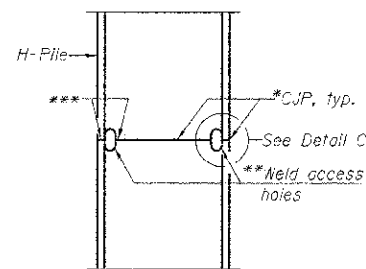


ELEVATION

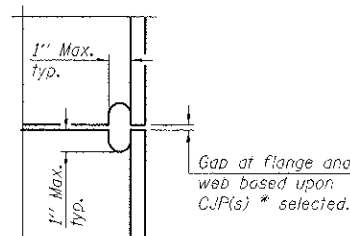


DETAIL A

H-PILE SHOE ATTACHMENT



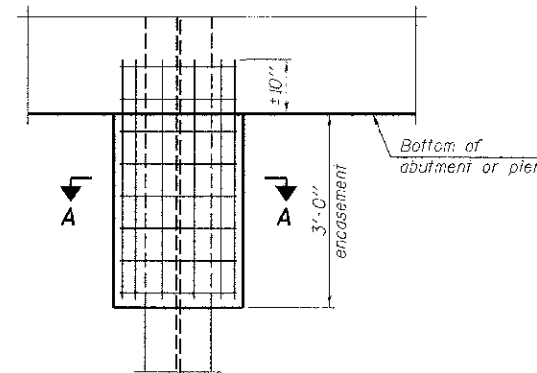
ELEVATION



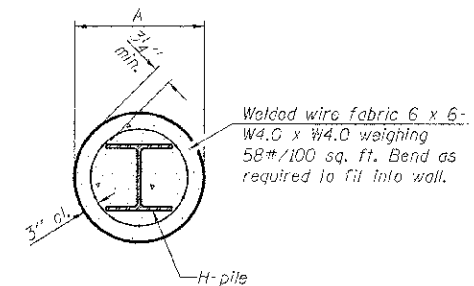
DETAIL C

COMPLETE PENETRATION WELD SPLICE

- * Use joint conforming to Figure 3.4 in AWS D1.1, Structure Welding Code - Steel.
- ** Preparation per Fig. 5.2 in AWS D1.1, Structure Welding Code - Steel.
- *** Interrupt welds 1/4" from end of each pile.



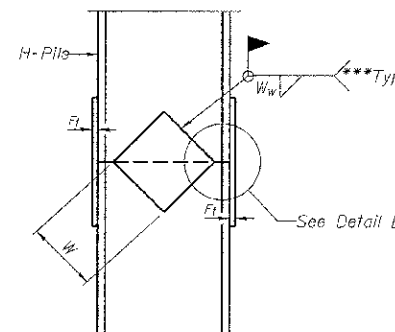
ELEVATION



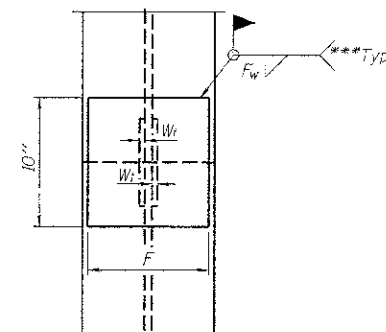
SECTION A-A

Note: Forms for encasement may be omitted when soil conditions permit.

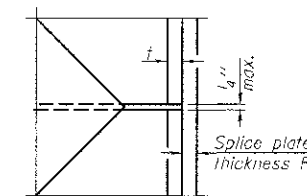
PILE ENCASEMENT



ELEVATION



END VIEW



DETAIL D

WELDED PLATE FIELD SPLICE

Designation	F	F _s	F _w	W	W _f	W _w
HP 14x117	12 1/2"	1"	7/8"	7 3/4"	5/8"	1/2"
x102	12 1/2"	7/8"	3/4"	7 3/4"	5/8"	1/2"
x89	12 1/2"	3/4"	11/16"	7 3/4"	5/8"	1/2"
x73	12 1/2"	5/8"	9/16"	7 3/4"	5/8"	1/2"
HP 12x84	10"	7/8"	11/16"	6 1/2"	5/8"	1/2"
x74	10"	7/8"	11/16"	6 1/2"	5/8"	1/2"
x63	10"	5/8"	1/2"	6 1/2"	1/2"	3/8"
x53	10"	5/8"	1/2"	6 1/2"	1/2"	3/8"
HP 10x57	8"	3/4"	9/16"	5 1/4"	1/2"	3/8"
x42	8"	5/8"	9/16"	5 1/4"	1/2"	3/8"
HP 8x36	7"	5/8"	7/16"	4 1/4"	1/2"	3/8"

F-HP

10-1-08

Note: The steel H-piles shall be according to AASHTO M270 Grade 50.

FILE NAME -	USER NAME - #JGSR#	DESIGNED -	REVISED -
\$\$\$FILE#		DRAWN -	REVISED -
		CHECKED -	REVISED -
		DATE -	REVISED -

STATE OF ILLINOIS
DEPARTMENT OF TRANSPORTATION

HP PILE DETAILS STRUCTURE NO. 011-3414
TR 206 OVER TRIBUTARY TO LOCUST CREEK STA.10+00

SCALE: SHEET NO. OF SHEETS STA. TO STA.

MEC
MARTIN ENGINEERING COMPANY
CONSULTING ENGINEERS AND SURVEYORS
ILLINOIS PROFESSIONAL ENGINEERING FIRM NO. 134 022843
522 S. MEADOWCREST DR. SPRINGFIELD, ILLINOIS 62711
Phone: (217) 598-8900, Fax: (217) 498-8822, E-Mail: meca@mece.com

F.A. RTE.	SECTION	COUNTY	TOTAL SHEETS
TR 206	08-07115-00-BR	CHRISTIAN	12
			6

93596
ILLINOIS FED. AID PROJECT