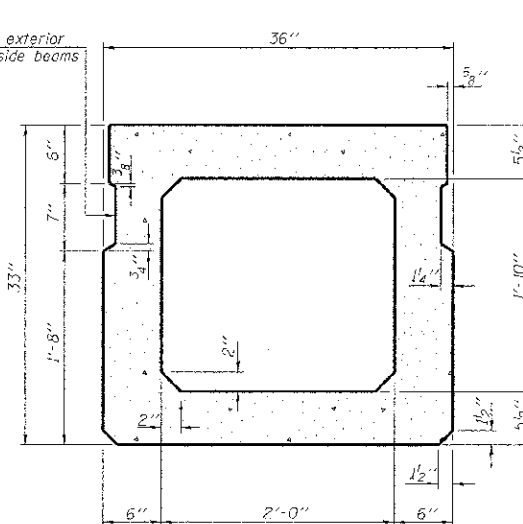


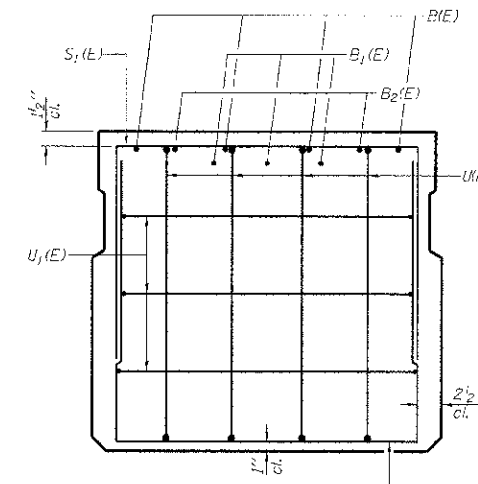
SECTION C-C

* Rail post anchor devices to be cast into exterior face of outside beams.

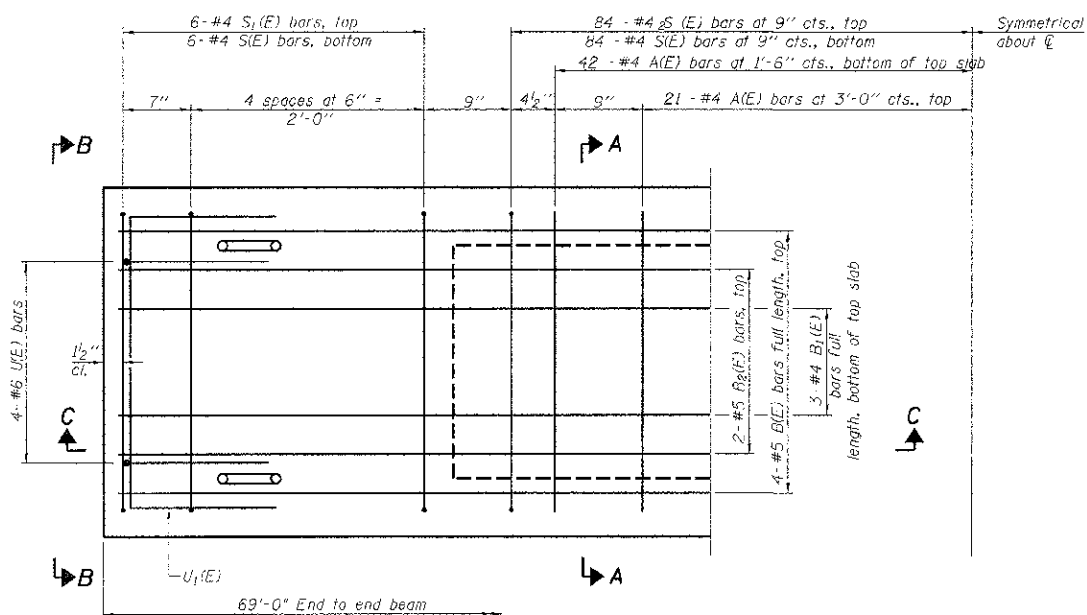
* Omit key on exterior face of outside beams



SECTION A-A
(Showing dimensions)

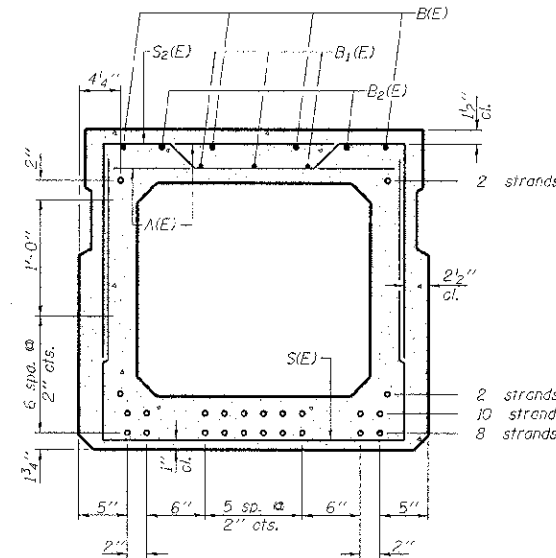


VIEW B-B



PLAN VIEW

Note: Spacing of S1(E) and S2(E) bars may be adjusted up to 4" in the immediate area of the transverse tie diagrams to miss the block outs for the transverse ties.



SECTION A-A

(Showing reinforcement and permissible strand locations)

Note: Place the number of strands specified in each row symmetrically about the centerline of beam in the permissible strand locations shown.

BAR LIST
ONE BEAM ONLY
(For information only)

Bar	No.	Size	Length	Shape
A(E)	42	#4	2'-7"	—
B1(E)	12	#5	24'-8"	—
B2(E)	9	#4	24'-8"	—
D2(E)	6	#5	24'-8"	—
S1(E)	96	#4	7'-5"	—
S2(E)	12	#4	6'-3"	—
S2(E)	84	#4	6'-5"	—
U1(E)	8	#6	5'-0"	—
U1(E)	6	#4	5'-0"	—

Note: See sheet X of X for additional details and Bill of Material.

33" x 36" PPC DECK BEAM
STRUCTURE NO. 011-3414

PD-3336-0

10-1-08

FILE NAME =	USER NAME = #URFP#	DESIGNED -	REVISED -	STATE OF ILLINOIS DEPARTMENT OF TRANSPORTATION	33" X 36" PPC DECK BEAM STRUCTURE NO. 011-3414 TR 206 OVER TRIBUTARY TO LOCUST CREEK STA. 10+00	F.A. RTE.	SECTION	COUNTY	TOTAL SHEETS	SHEET NO.	
#FILE#		DRAWN -	REVISED -			TR 206	08-07115-00-BR	CHRISTIAN	12	8	
PLOT SCALE = #SCALE#		CHECKED -	REVISED -			SCALE: _____	SHEET NO. _____ OF _____ SHEETS	STA. _____ TO STA. _____	93596		
PLOT DATE = #DATE#		DATE -	REVISED -			ILLINOIS FED. AID PROJECT					

MEC
MURPHY ENGINEERING COMPANY
CONSULTING ENGINEERS AND ARCHITECTS
ILLINOIS PROFESSIONAL REGISTRATION NO. 044-048482
1223 S. MENDOTA ROAD, SPRINGFIELD, ILLINOIS 62711
Phone: (217) 824-9600 Fax: (217) 824-9602 E-Mail: info@murphyeng.com