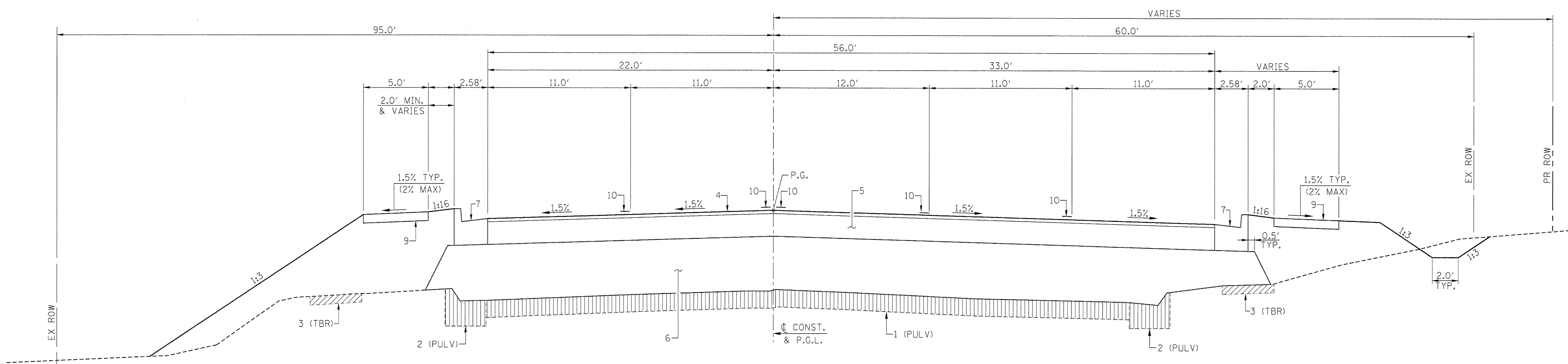


**TYPICAL SECTION #1**  
STA. 205+00 TO STA. 206+50



**TYPICAL SECTION #2**  
STA. 206+50 TO STA. 207+31.82  
(BRIDGE OMISSION - STA. 207+31.82 TO STA. 209+16.17)

**STRUCTURAL PAVEMENT DESIGN INFORMATION**

DESIGN TRAFFIC: 19865 (23)  
 97% PV 1.5% SU 1.5% MU  
 CLASS 1 - 80K  
 TF: 1.67  
 DESIGN STRAIN: 89 EAC; 520  
 USE 12" HMA BASE & SURFACE COURSE WITH 12" MIN. SUBBASE GRANULAR

**PAVEMENT LEGEND**

1. EX PCC PAVEMENT
2. EX CONC C&G
3. EX CONC SIDEWALK
4. PR HMA SURFACE COURSE (1 1/2")
5. PR HMA BASE COURSE (10 1/2")
6. PR SUBBASE GRANULAR MATERIAL, TYPE A (12" MIN.)
7. PR COMB CONC C&G (B-6.24)
8. PR GEOTEXTILE RETAINING WALL
9. PR CONC SIDEWALK (4")
10. PR PVMT MARKING
11. PR TEMP PVMT MARKING

FILE NAME =	USER NAME = #USER#	DESIGNED -	REVISED -
#FILE#		DRAWN -	REVISED -
	PLOT SCALE = #SCALE#	CHECKED -	REVISED -
	PLOT DATE = #DATE#	DATE -	REVISED -

**Allen Henderson & Associates, Inc.**  
 Civil and Structural Engineers Springfield, IL  
 62703 Phone: (217)544-8033 IL Design Firm  
 No. 184-001907

<b>TYPICAL SECTIONS</b>	
SCALE: VARIES	SHEET NO. 1 OF 2 SHEETS
STA.	TO STA.

F.A.U. RTE.	SECTION	COUNTY	TOTAL SHEETS	SHEET NO.
8006	10-00470-00-BR	SANGAMON	90	12
FED. ROAD DIST. NO.			ILLINOIS FED. AID PROJECT	
CONTRACT NO. 93600				