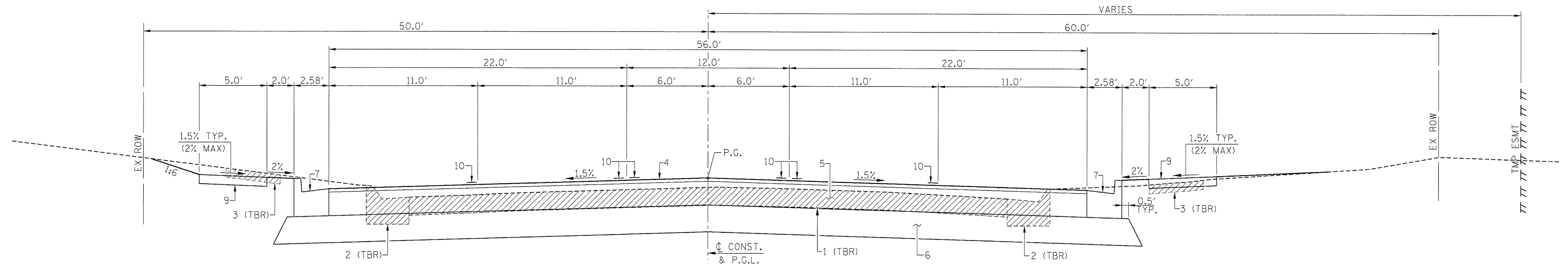


TYPICAL SECTION #3
STA. 209+16.17 TO STA. 210+85



TYPICAL SECTION #4
STA. 210+85 TO STA. 213+80

PAVEMENT LEGEND

1. EX PCC PAVEMENT
2. EX CONC C&G
3. EX CONC SIDEWALK
4. PR HMA SURFACE COURSE (1 1/2")
5. PR HMA BASE COURSE (10 1/2")
6. PR SUBBASE GRANULAR MATERIAL, TYPE A (12" MIN.)
7. PR COMB CONC C&G (B-6.24)
8. PR GEOTEXTILE RETAINING WALL
9. PR CONC SIDEWALK (4")
10. PR PVMT MARKING
11. PR TEMP PVMT MARKING

FILE NAME =	USER NAME = *USER*	DESIGNED -	REVISED -
#FILEL#		DRAWN -	REVISED -
	PLOT SCALE = *SCALE*	CHECKED -	REVISED -
	PLOT DATE = *DATE*	DATE -	REVISED -

Allen Henderson & Associates, Inc.
Civil and Structural Engineers Springfield, IL.
62703 Phone: (217)544-8033 IL Design Firm
No. 184-001907

TYPICAL SECTIONS			
SCALE: VARIES	SHEET NO. 2 OF 2 SHEETS	STA.	TO STA.

F.A.J. RTE.	SECTION	COUNTY	TOTAL SHEETS	SHEET NO.
8006	10-00470-00-BR	SANGAMON	90	13
CONTRACT NO. 93600				
FED. ROAD DIST. NO. [ILLINOIS] FED. AID PROJECT				