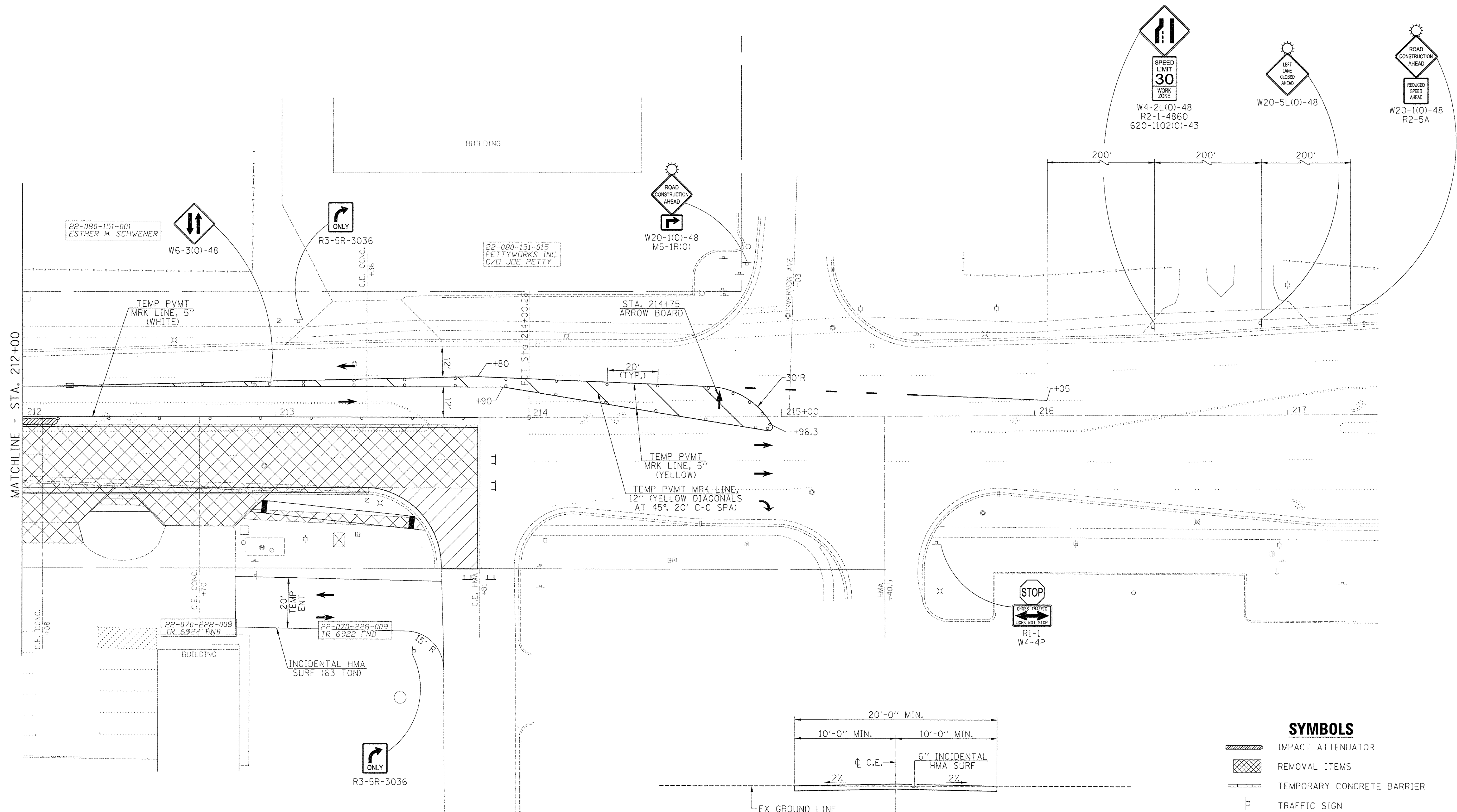
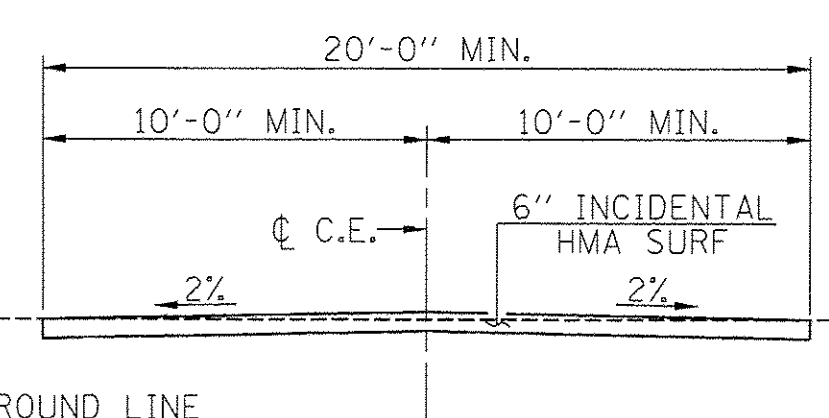


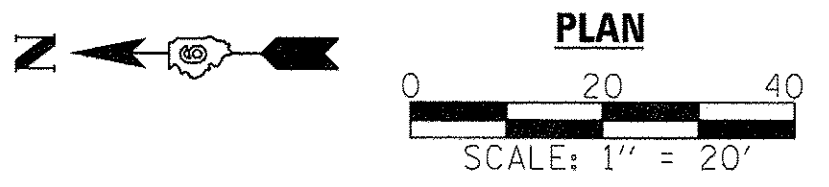
SEE SHEET OF THE SPECIAL PROVISIONS FOR ADDITIONAL SIGNING IN THE VILLAGE OF JEROME.



**TEMPORARY ENTRANCE CROSS SECTION**



- SYMBOLS**
- IMPACT ATTENUATOR
  - REMOVAL ITEMS
  - TEMPORARY CONCRETE BARRIER
  - TRAFFIC SIGN
  - TYPE C BIDIRECTIONAL REFLECTOR
  - DRUM
  - FLEXIBLE DELINEATOR
  - RAISED REFLECTIVE PAVEMENT MARKER
  - TYPE III BARRICADE
  - LIGHTS, TYPE A



FILE NAME = #FILEL#	USER NAME = #USER#	DESIGNED -	REVISED -	<b>Allen Henderson &amp; Associates, Inc.</b> Civil and Structural Engineers Springfield, IL. 62703 Phone: (217)544-8033 IL Design Firm No. 184-001907	<b>STAGE CONSTRUCTION TRAFFIC DETAILS</b>			F.A.U. RTE.	SECTION	COUNTY	TOTAL SHEETS	SHEET NO.
	PLOT SCALE = #SCALE#	DRAWN -	REVISED -					8006	10-00470-00-BR	SANGAMON	90	28
	PLOT DATE = #DATE#	CHECKED -	REVISED -		REVISED -	SCALE: 1" = 20'	SHEET NO. 5 OF 12 SHEETS	STA.	TO STA.	CONTRACT NO. <b>93600</b>		
	DATE -	REVISED -	REVISED -					FED. ROAD DIST. NO.	ILLINOIS FED. AID PROJECT			