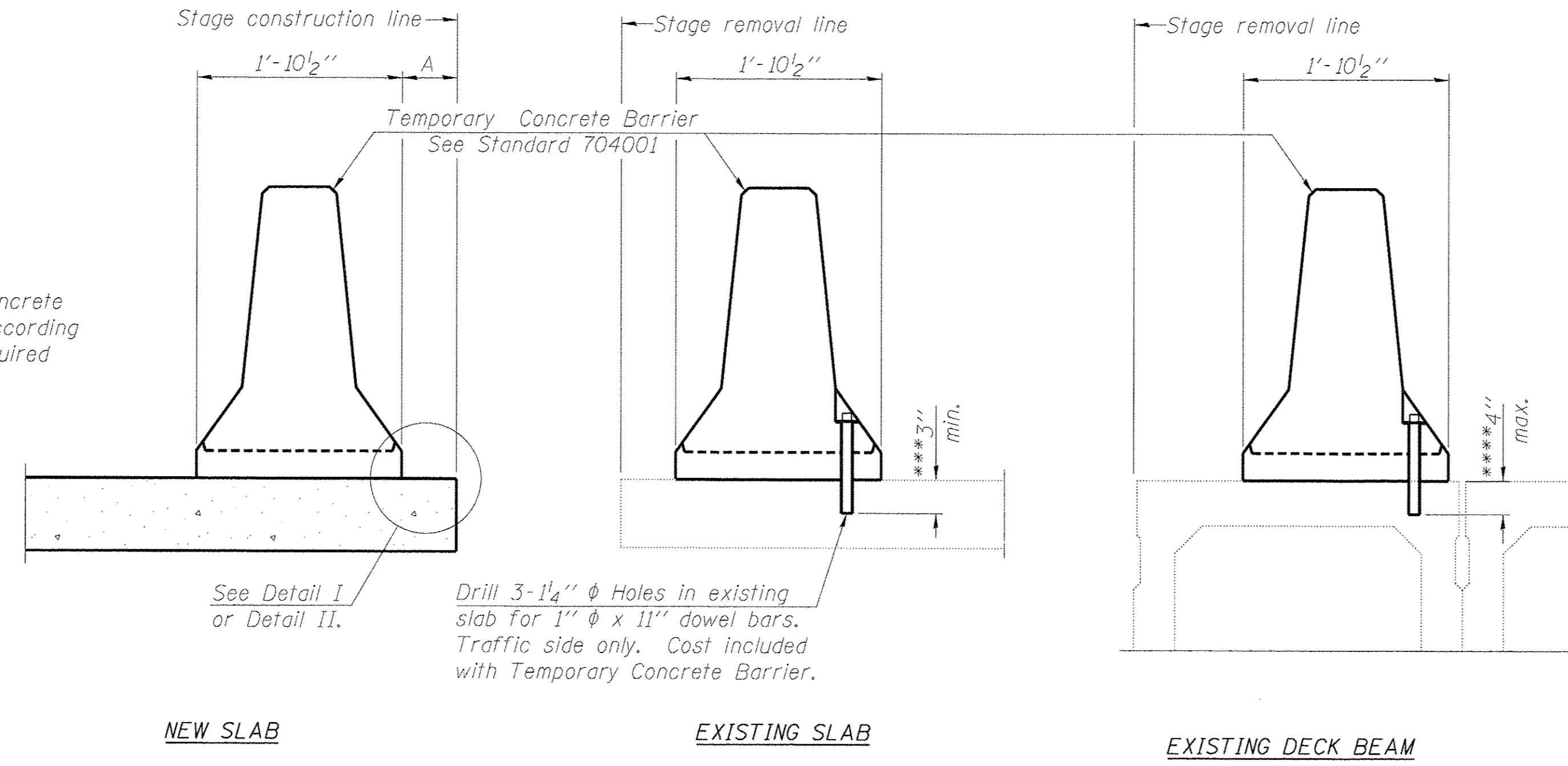


When "A" is 3'-6" or less, the temporary concrete barrier shall be anchored to the new slab according to Detail I or Detail II. No anchorage is required when "A" is greater than 3'-6".



**SECTIONS THRU SLAB OR DECK BEAM**

**NOTES**

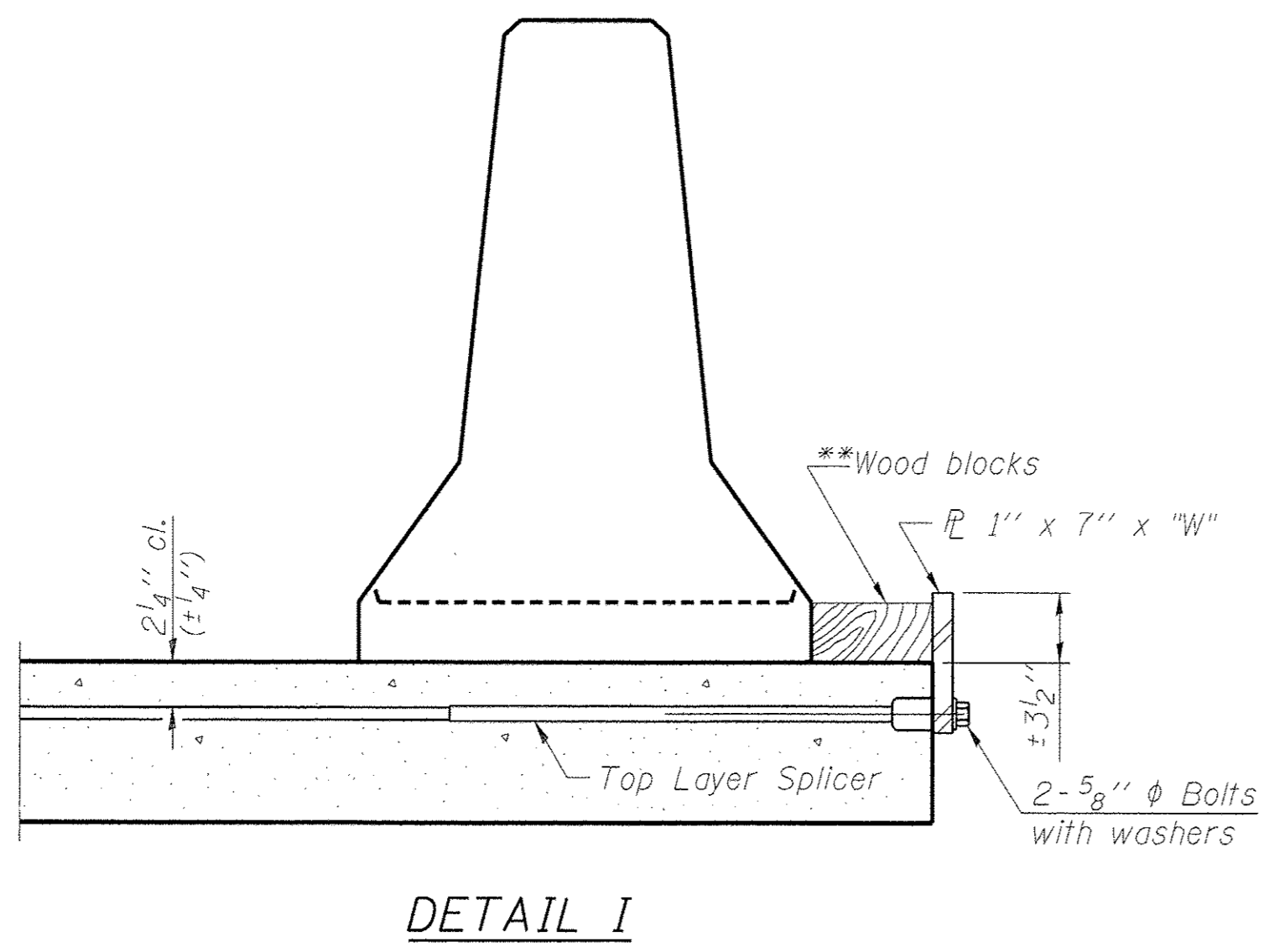
Detail I - With Bar Splicer or Couplers:  
Connect one (1) 1" x 7" x "W" steel plate to the top layer of couplers with 2-5/8" diameter bolts screwed to coupler at approximate center of each barrier panel.

Detail II - With Extended Reinforcement Bars:  
Connect one (1) 1" x 7" x "W" steel plate to the concrete slab or concrete wearing surface with 2-5/8" diameter Expansion Anchors or cast in place inserts spaced between the top layer of reinforcement at approximate center of each barrier panel.

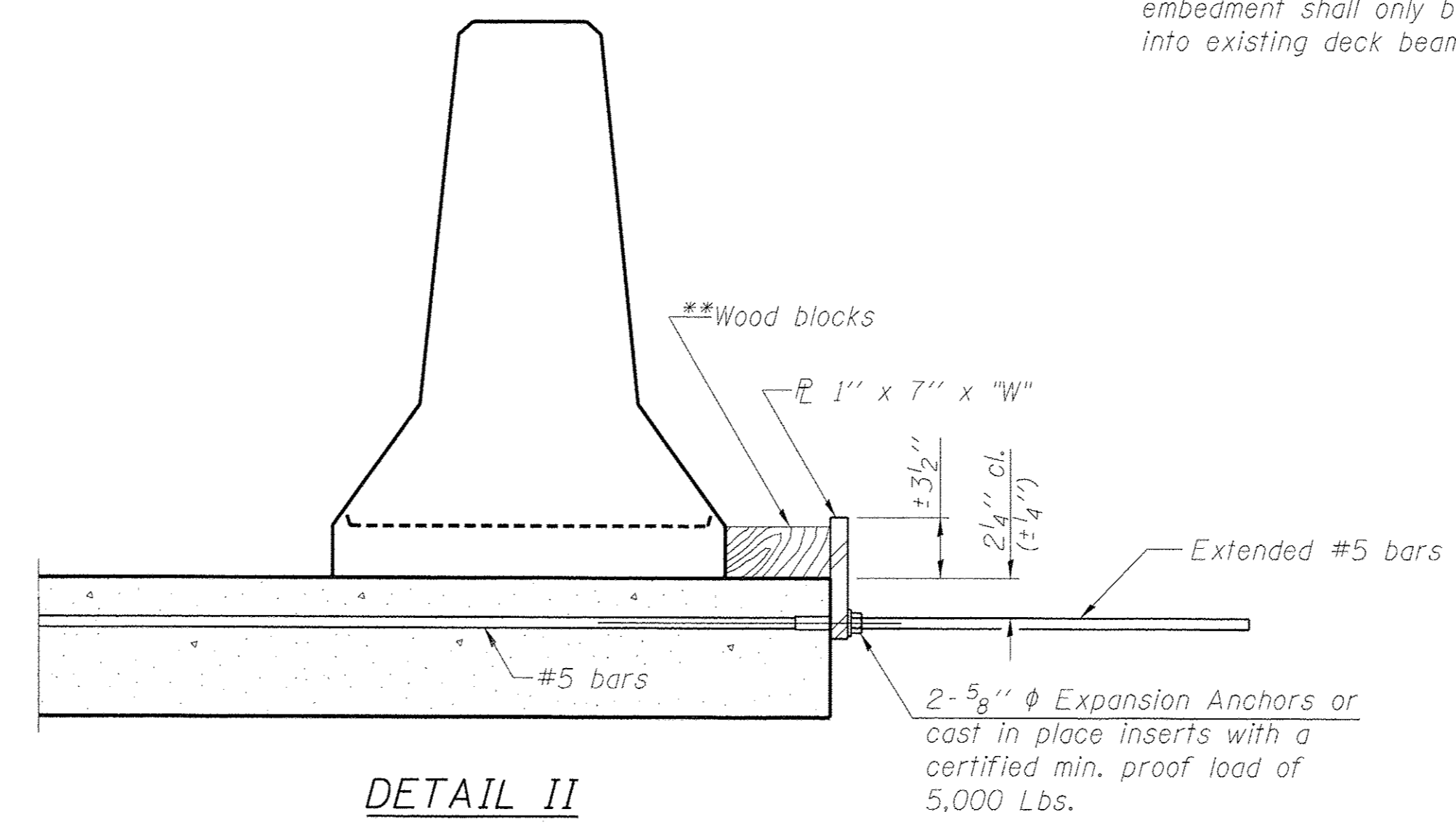
Cost of anchorage is included with Temporary Concrete Barrier. The 1" x 7" x "W" plate shall not be removed until stage II construction forms and all reinforcement bars are in place and the concrete is ready to be placed.

\*\*\* Dimension shown is minimum required embedment into concrete. If hot-mix asphalt wearing surface is present, minimum embedment shall be in addition to wearing surface depth.

\*\*\*\* If existing deck beam is to remain in place after stage construction, embedment shall only be into wearing surface and not into existing deck beam concrete.



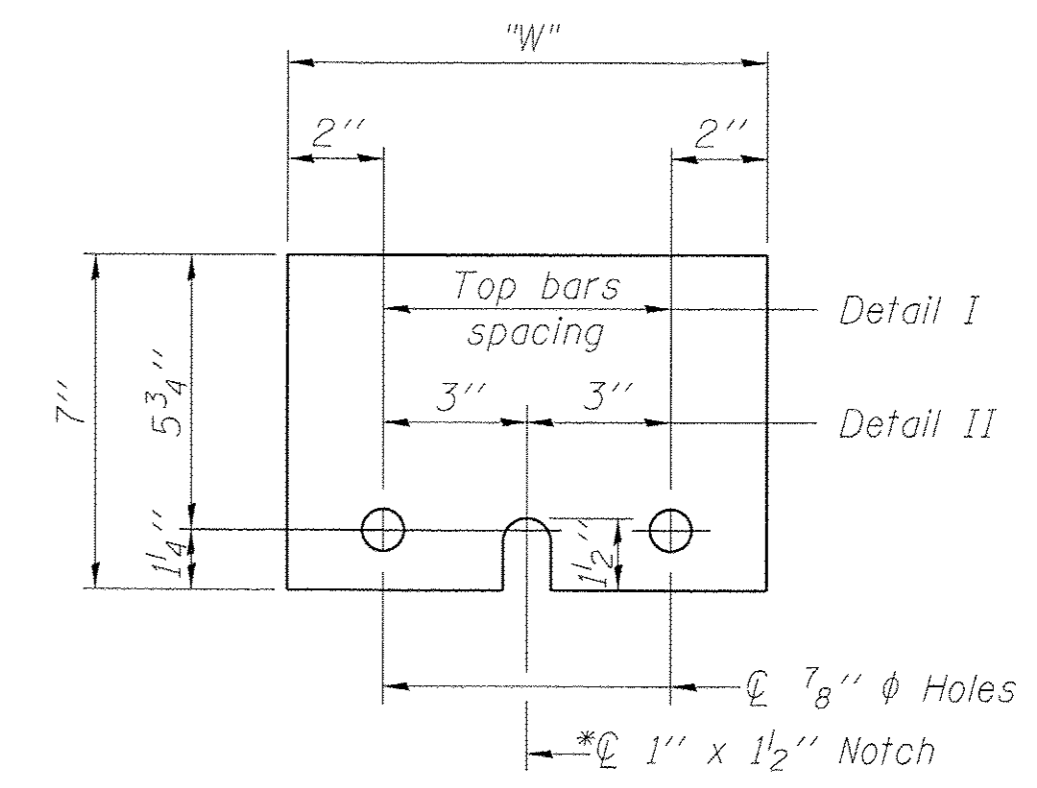
**DETAIL I**




**DETAIL II**

\*\* Wood blocks may be omitted when required to provide minimum stage traffic lane width. When the wood blocks are omitted, the concrete barrier shall be in direct contact with the steel retainer plate.

"W" = Top bars spacing + 4"



**STEEL RETAINER PLATE 1" x 7" x "W"**  
\* Required only with Detail II

R-27	7-1-10	DESIGNED -	REVISD -	 <b>Allen Henderson &amp; Associates, Inc.</b> Civil and Structural Engineers Springfield, IL. 62703 Phone: (217)544-8033 IL Design Firm No. 184-001907	<b>TEMPORARY CONCRETE BARRIER FOR STAGE CONSTRUCTION</b> <b>STRUCTURE NO. 084-6019</b>	F.A.U. RTE.	SECTION	COUNTY	TOTAL SHEETS	SHEET NO.
FILE NAME =	USER NAME =	CHECKED -	REVISD -			8006	10-00470-00-BR	SANGAMON	90	44
PLOT SCALE =	DRAWN -	REVISD -	REVISD -			CONTRACT NO. 93600				
PLOT DATE =	CHECKED -	REVISD -	REVISD -			SHEET NO. 4 OF 28 SHEETS				