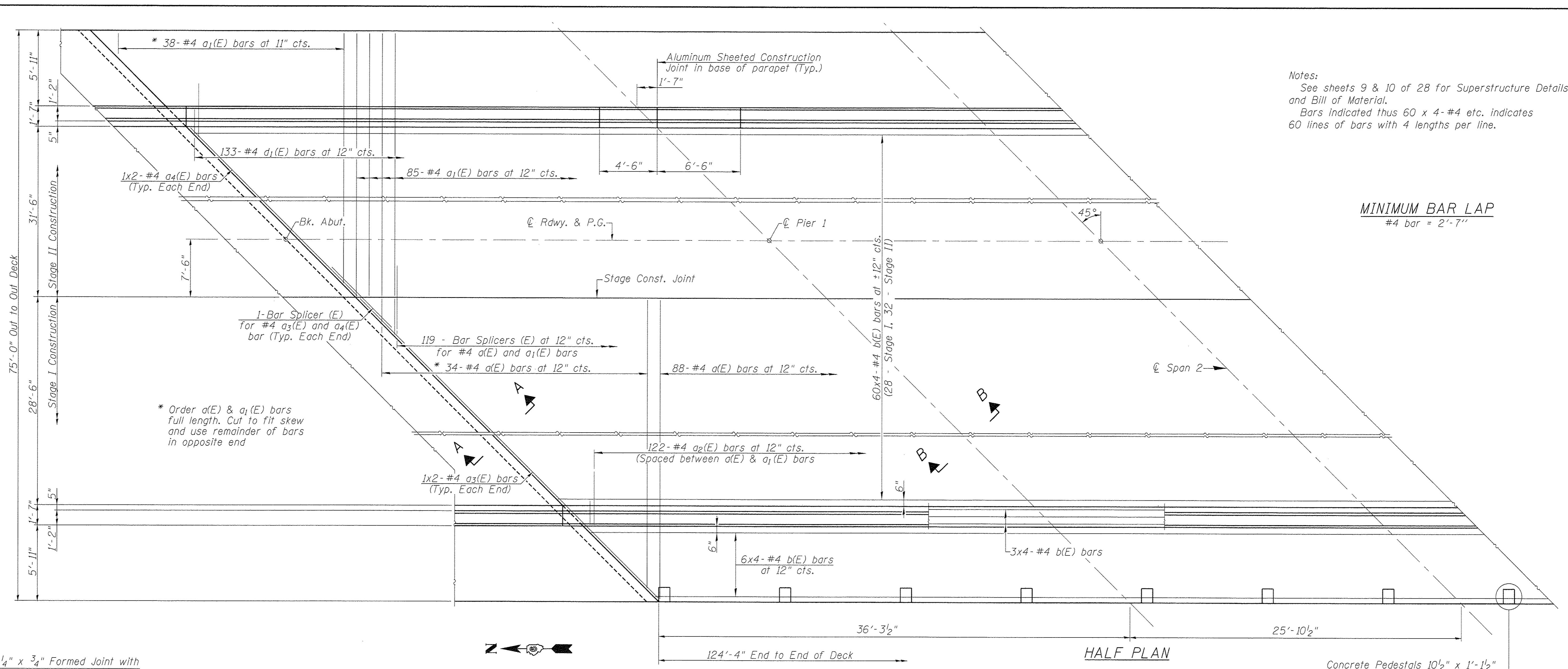
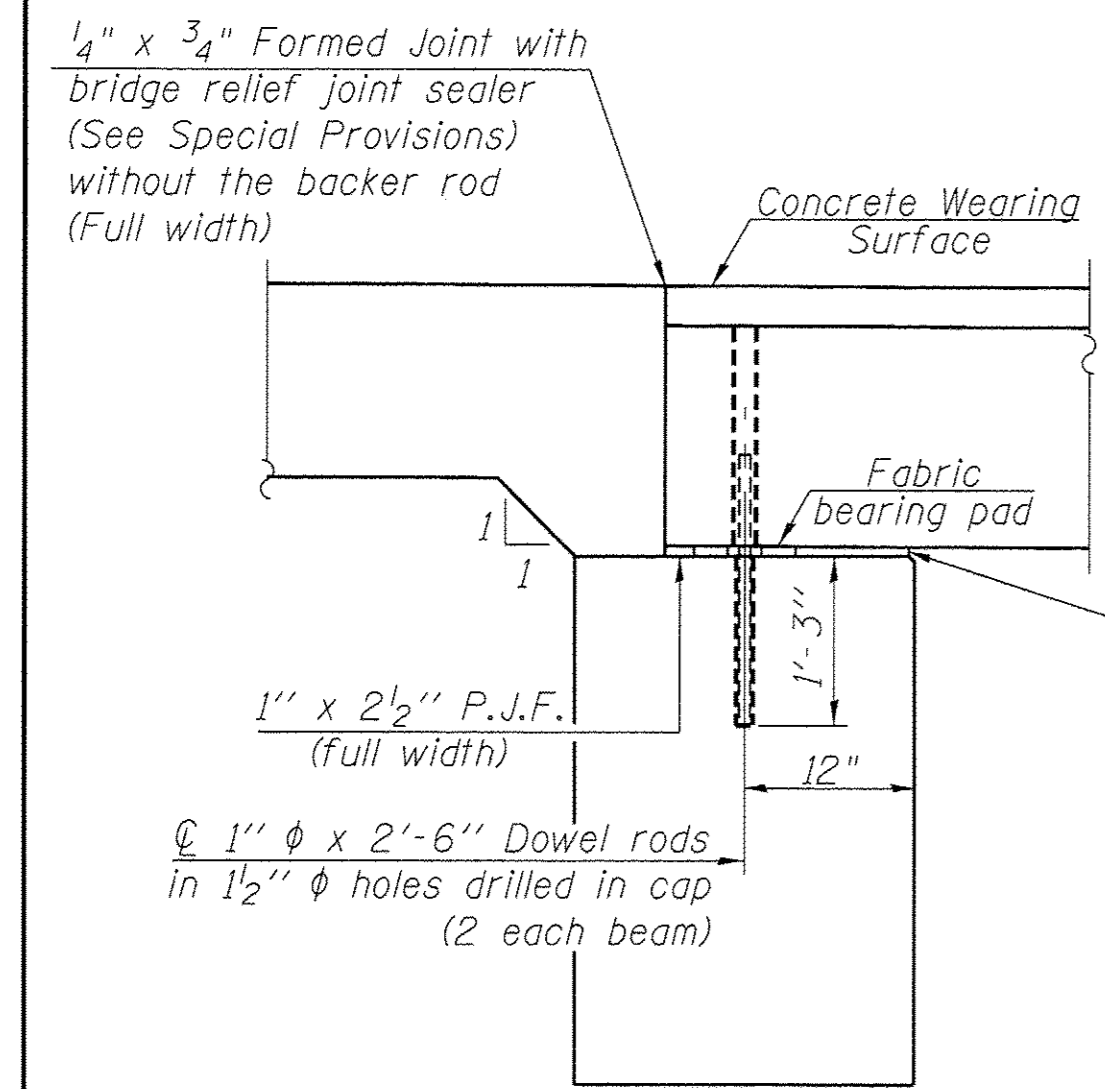


Notes:  
 See sheets 9 & 10 of 28 for Superstructure Details and Bill of Material.  
 Bars indicated thus 60 x 4-#4 etc. indicates 60 lines of bars with 4 lengths per line.

**MINIMUM BAR LAP**  
 #4 bar = 2'-7"

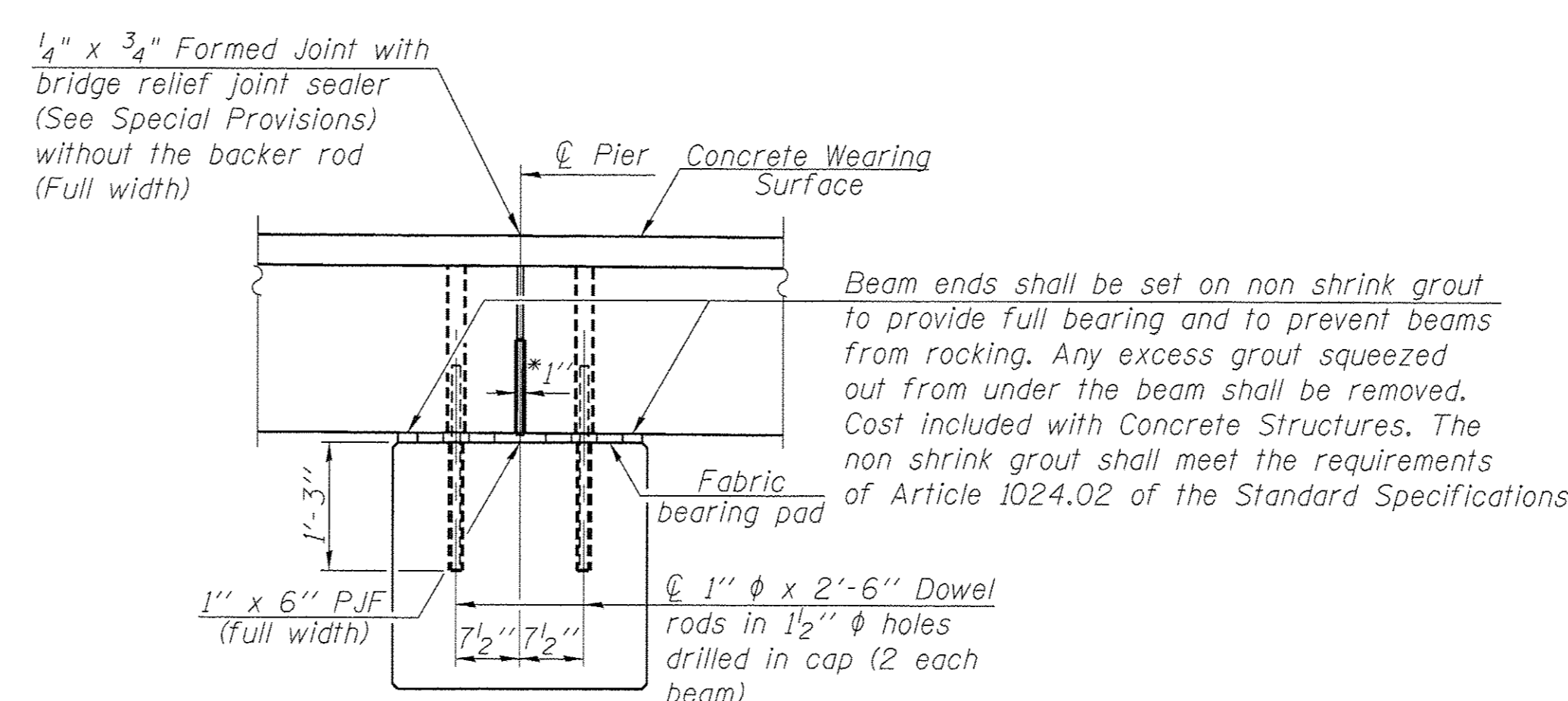


\* Order a(E) & a1(E) bars full length. Cut to fit skew and use remainder of bars in opposite end



**SECTION A-A**  
 (Dimensions are at Rt. L's)

Notes:  
 All concrete wearing surfaces shall be placed prior to casting approach slab.  
 See sheet of fabric bearing pad details.



**SECTION B-B**  
 (Dimensions are at Rt. L's)

\*1" Jt. shall be filled with non-shrink grout. 1" dimension may vary to accommodate tolerance in beam lengths.

Concrete Pedestals 10 1/2" x 1'-1 1/2"  
 poured monolithically with concrete wearing surface. (Typ. Each Side)  
 See Sheets 10 of 28 for details and spacing.

FILE NAME =	USER NAME =	DESIGNED -	REVISED -
		CHECKED -	REVISED -
		DRAWN -	REVISED -
		CHECKED -	REVISED -

**Allen Henderson & Associates, Inc.**  
 Civil and Structural Engineers Springfield, IL.  
 62703 Phone: (217)544-8033 IL Design Firm  
 No. 184-001907

**SUPERSTRUCTURE**  
**STRUCTURE NO. 084-6019**

SHEET NO. 8 OF 28 SHEETS

F.A.U. RTE.	SECTION	COUNTY	TOTAL SHEETS	SHEET NO.
8006	10-00470-00-BR	SANGAMON	90	48
CONTRACT NO. 9360				

ILLINOIS FED. AID PROJECT