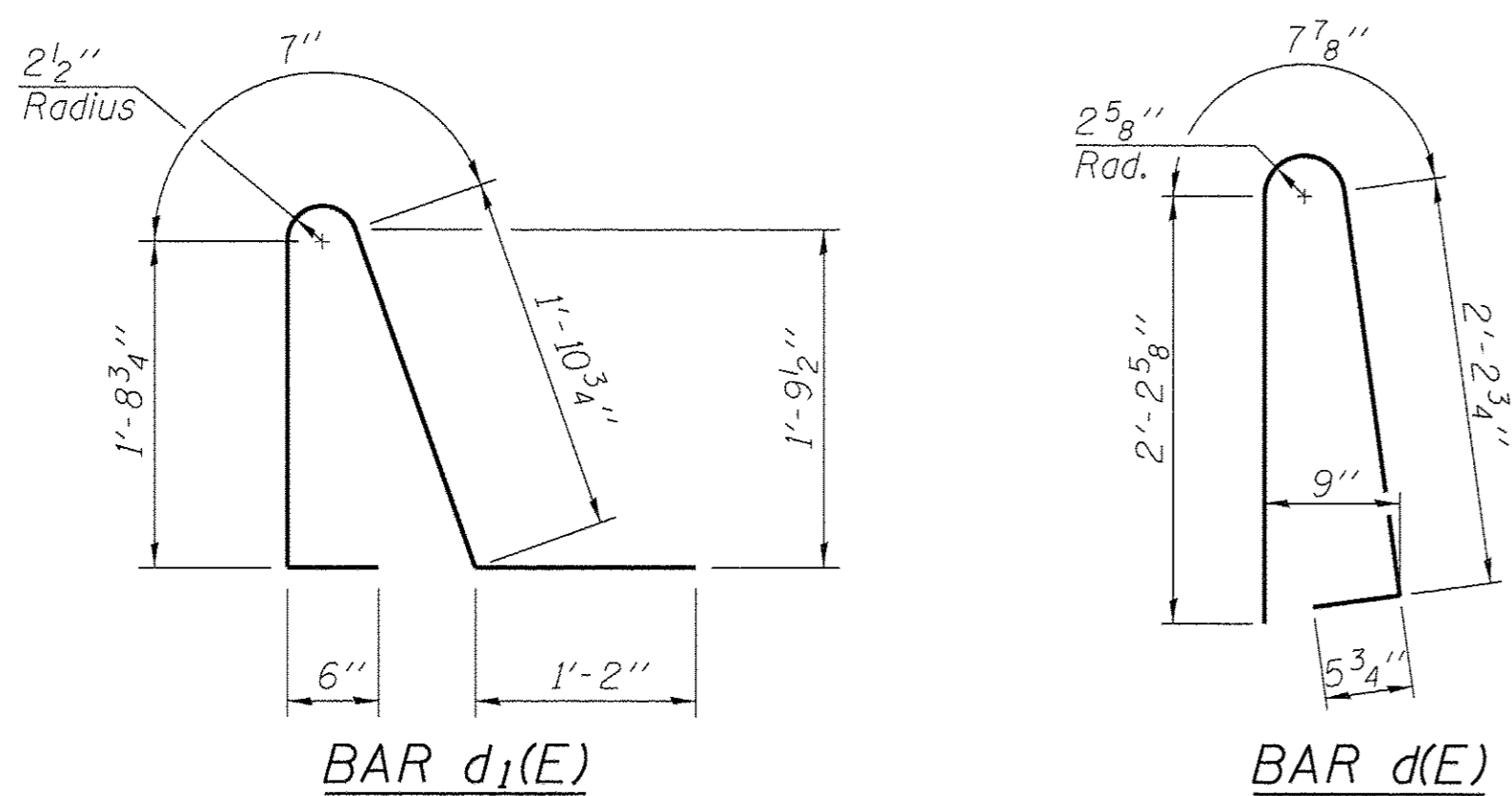


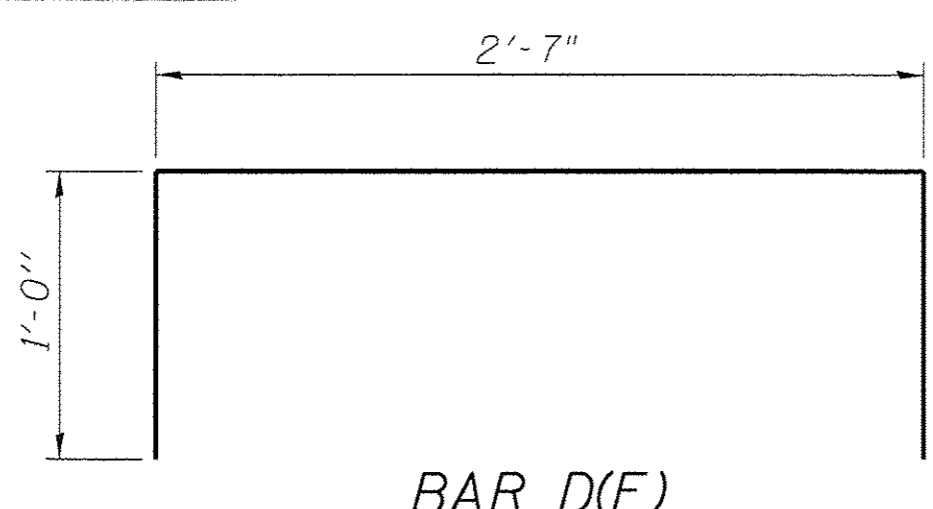
INSIDE ELEVATION OF PARAPET



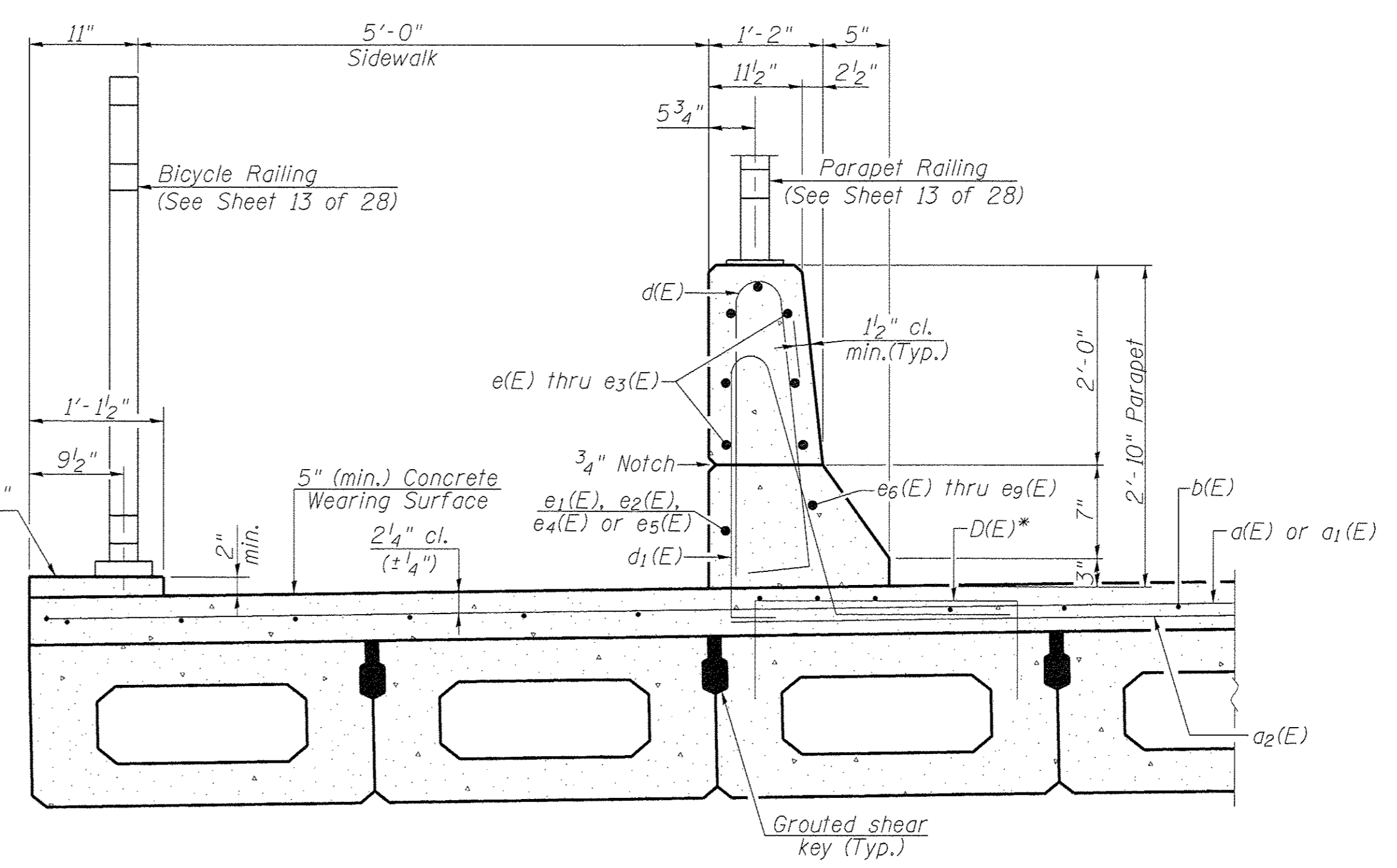
MINIMUM BAR LAP
 #4 bar = 2'-0"
 #8 bar = 5'-2"

BAR d₁(E)

BAR d(E)

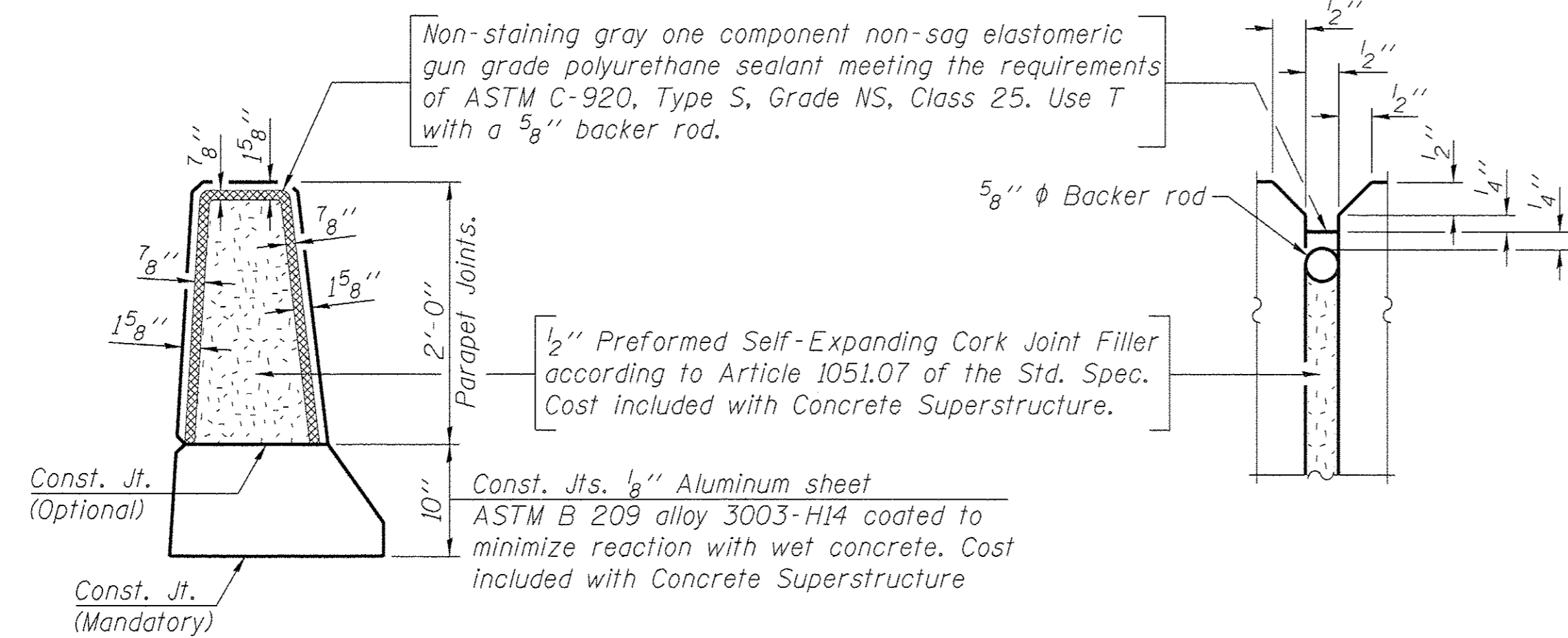


BAR D(E)



SECTION THRU PARAPET

* Place #4 D(E) bars at 9" cts. in beams directly under each parapet. D(E) bar included in cost of beam.



PARAPET JOINT DETAILS

SUPERSTRUCTURE BILL OF MATERIAL

Bar	No.	Size	Length	Shape
d(E)	122	#4	35'-6"	—
a ₁ (E)	123	#4	38'-6"	—
a ₂ (E)	244	#4	6'-0"	—
a ₃ (E)	4	#4	26'-6"	—
a ₄ (E)	4	#4	28'-8"	—
b(E)	312	#4	33'-8"	—
d(E)	266	#5	5'-7"	⏏
d ₁ (E)	266	#5	5'-11"	⏏
e(E)	56	#4	15'-6"	—
e ₁ (E)	32	#4	4'-2"	—
e ₂ (E)	32	#4	6'-2"	—
e ₃ (E)	28	#4	19'-0"	—
e ₄ (E)	4	#4	31'-4"	—
e ₅ (E)	2	#4	38'-4"	—
e ₆ (E)	4	#8	31'-4"	—
e ₇ (E)	4	#8	4'-2"	—
e ₈ (E)	4	#8	6'-2"	—
e ₉ (E)	4	#8	21'-10"	—
Reinforcement Bars, Epoxy Coated		Pound	19360	
Concrete Superstructure		Cu. Yd.	31.9	
Concrete Wearing Surface, 5"		Sq. Yd.	1037	

Bars indicated thus 1 x 2-#4 etc. indicates 1 line of bars with 2 lengths per line.