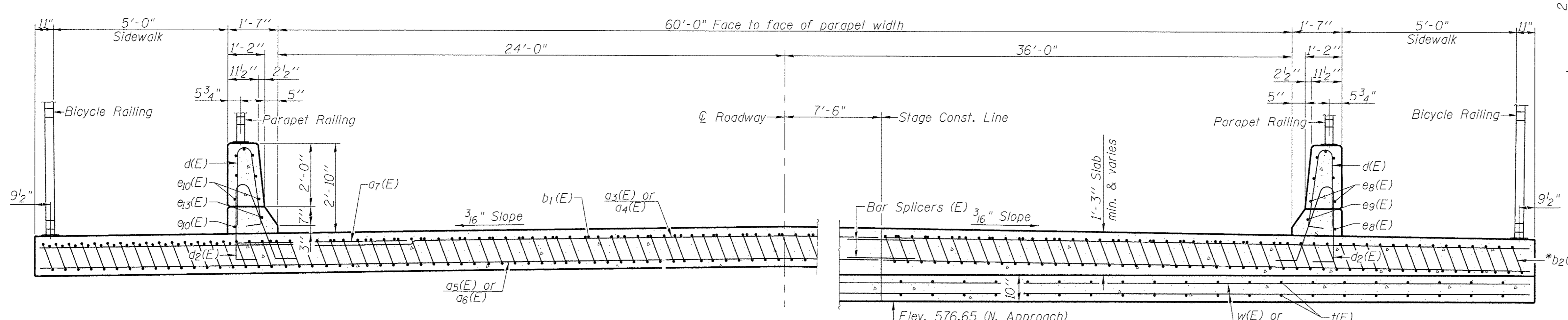
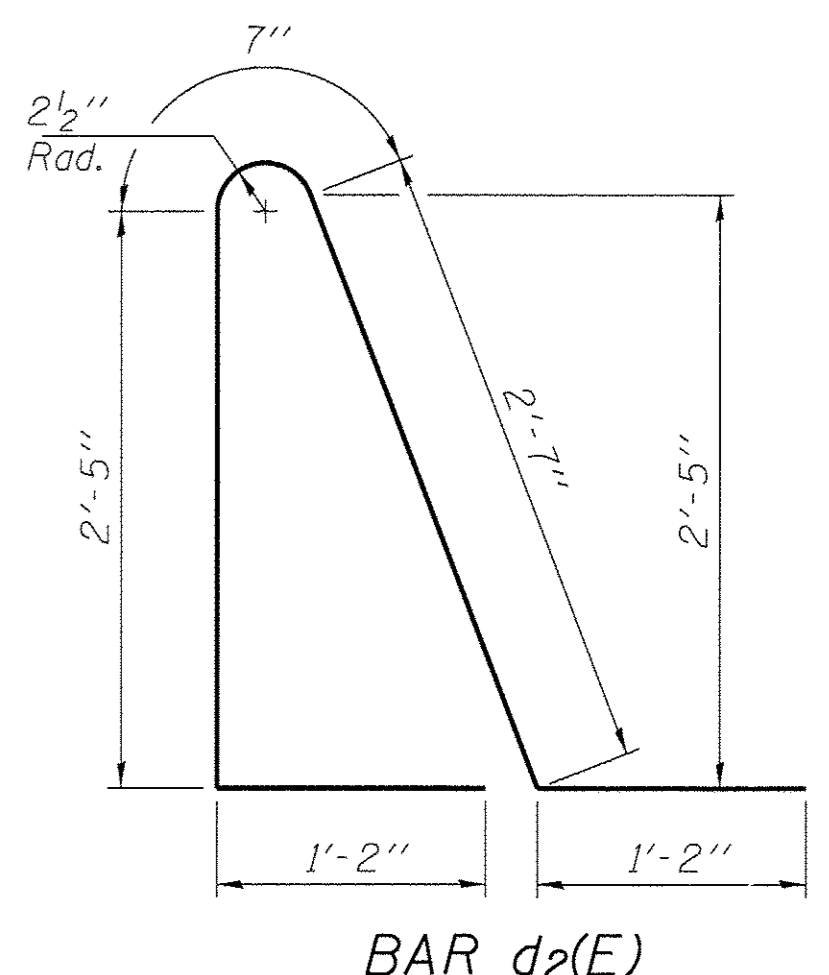
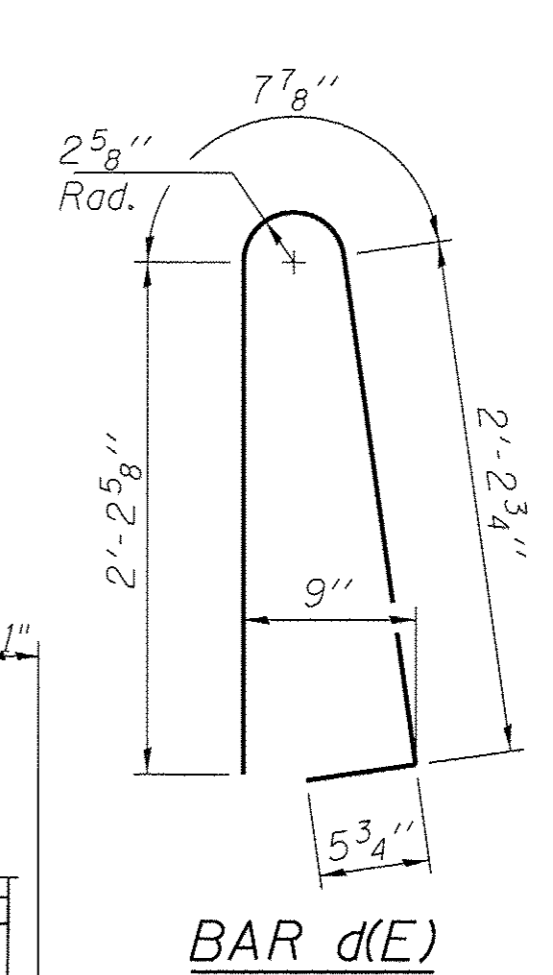
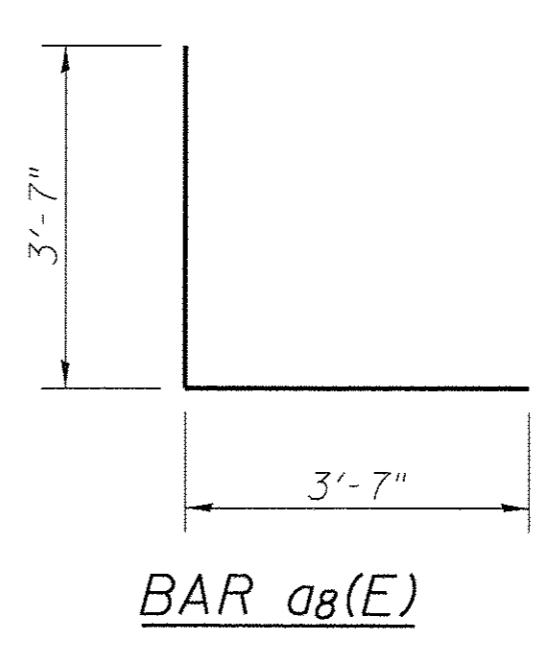
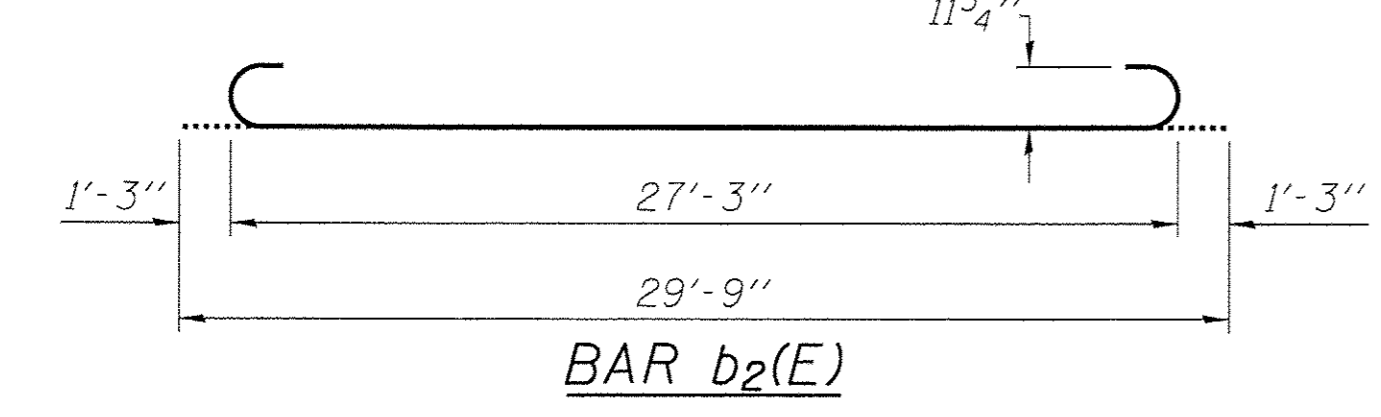


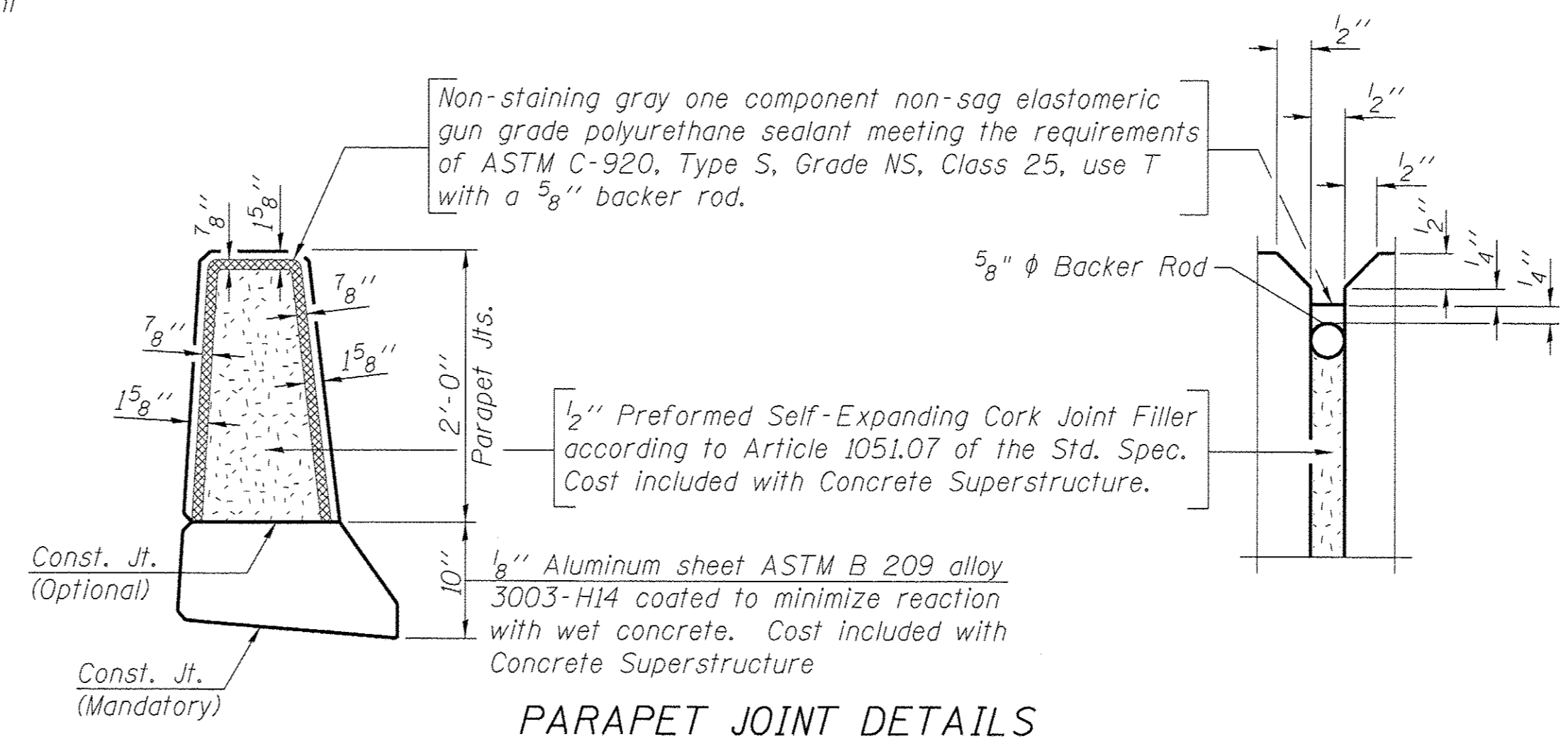
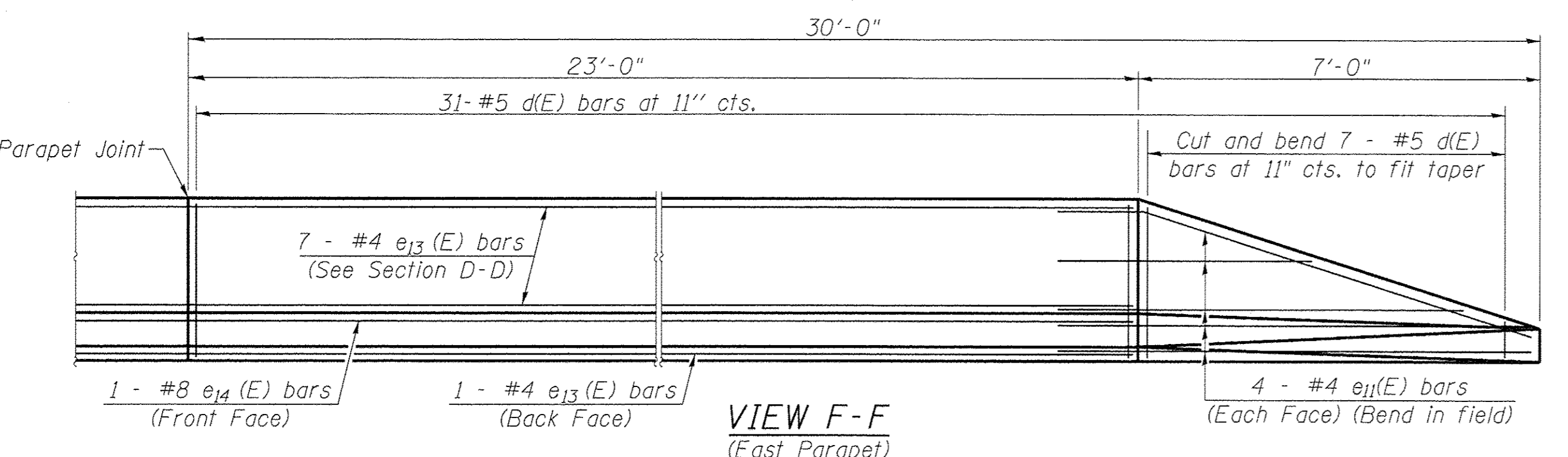
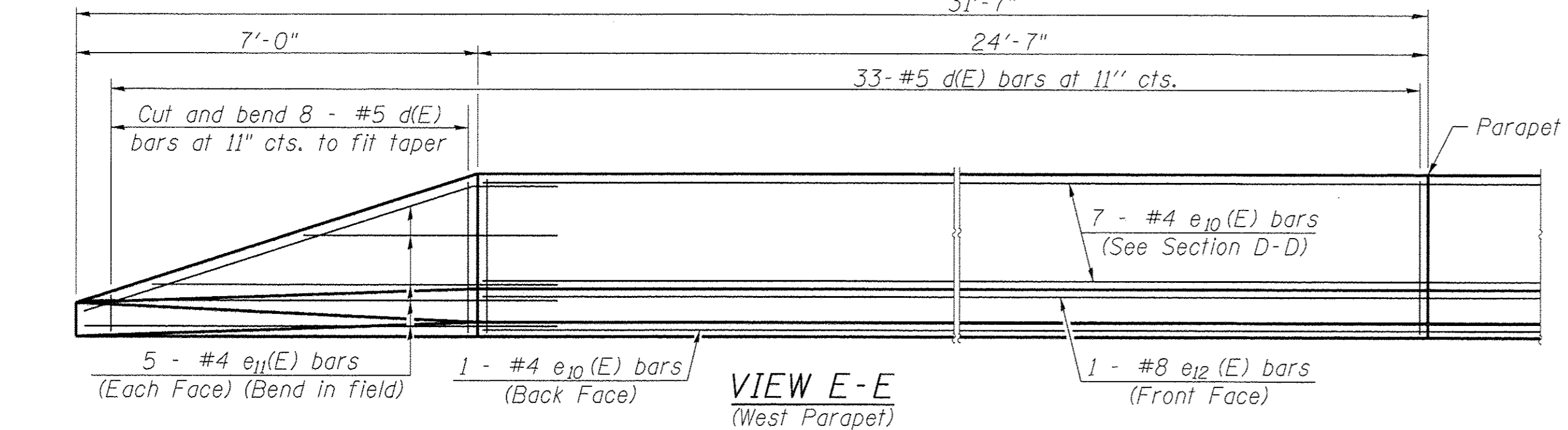
Notes:
 See sheet 11 of 28 for Detail A and View B-B.
 Approach slab and parapet concrete shall be paid for as Concrete Superstructure.
 Approach footing concrete shall be paid for as Concrete Structures.
 Reinforcement shall be paid for as Reinforcement Bars, Epoxy Coated.
 For v(E) bar details, see sheet 19 & 20 of 28.
 The approach footing maximum applied service bearing pressure (Qmax) = 2.0 ksf.
 For bar splicer details, see sheet 25 of 28.
 Cost of excavation for approach footing included with Concrete Structures.
 See sheet 14 of 28 for rail post spacing.



**TWO APPROACHES
 BILL OF MATERIAL**

Bar	No.	Size	Length	Shape
a3(E)	100	#4	26'-6"	—
a4(E)	100	#4	28'-8"	—
a5(E)	184	#5	26'-10"	—
a6(E)	184	#5	29'-0"	—
a7(E)	96	#6	6'-6"	—
a8(E)	8	#5	7'-2"	└
b1(E)	120	#4	29'-8"	—
b2(E)	358	#9	29'-9"	—
d(E)	128	#5	5'-7"	└
d2(E)	128	#5	7'-11"	└
e10(E)	16	#4	24'-3"	—
e11(E)	40	#4	9'-10"	—
e2(E)	2	#8	24'-3"	—
e3(E)	16	#4	22'-8"	—
e4(E)	2	#8	22'-8"	—
t(E)	300	#4	13'-9"	—
w(E)	160	#5	26'-10"	—
w1(E)	160	#5	29'-0"	—
Concrete Superstructure		Cu. Yd.	262.4	
Concrete Structures		Cu. Yd.	65.5	
Reinforcement Bars, Epoxy Coated		Pound	68880	

NEAR ABUTMENT SECTION D-D (See Plan for dimensions not shown) AT APPROACH FOOTING



(Sheet 2 of 2)