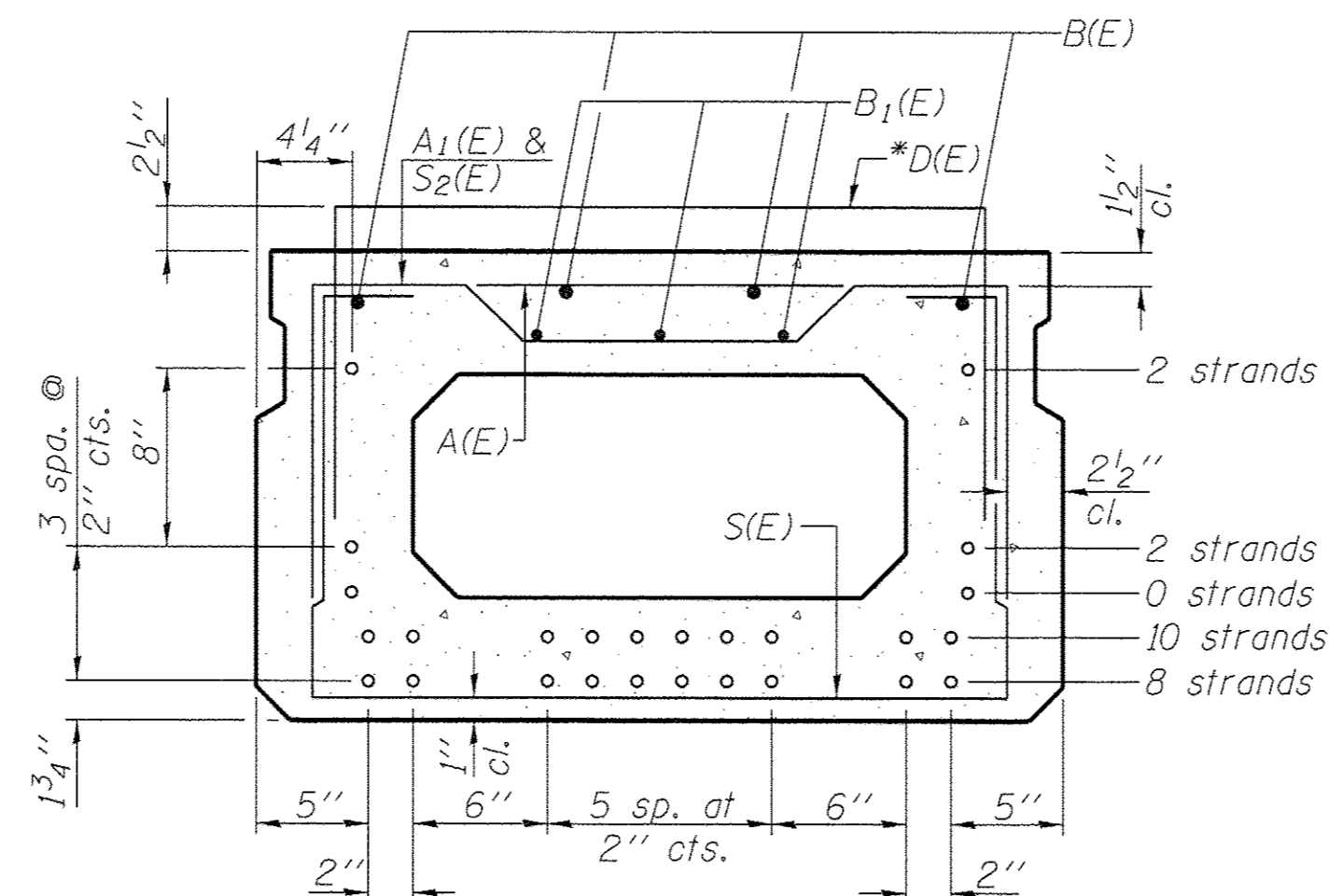


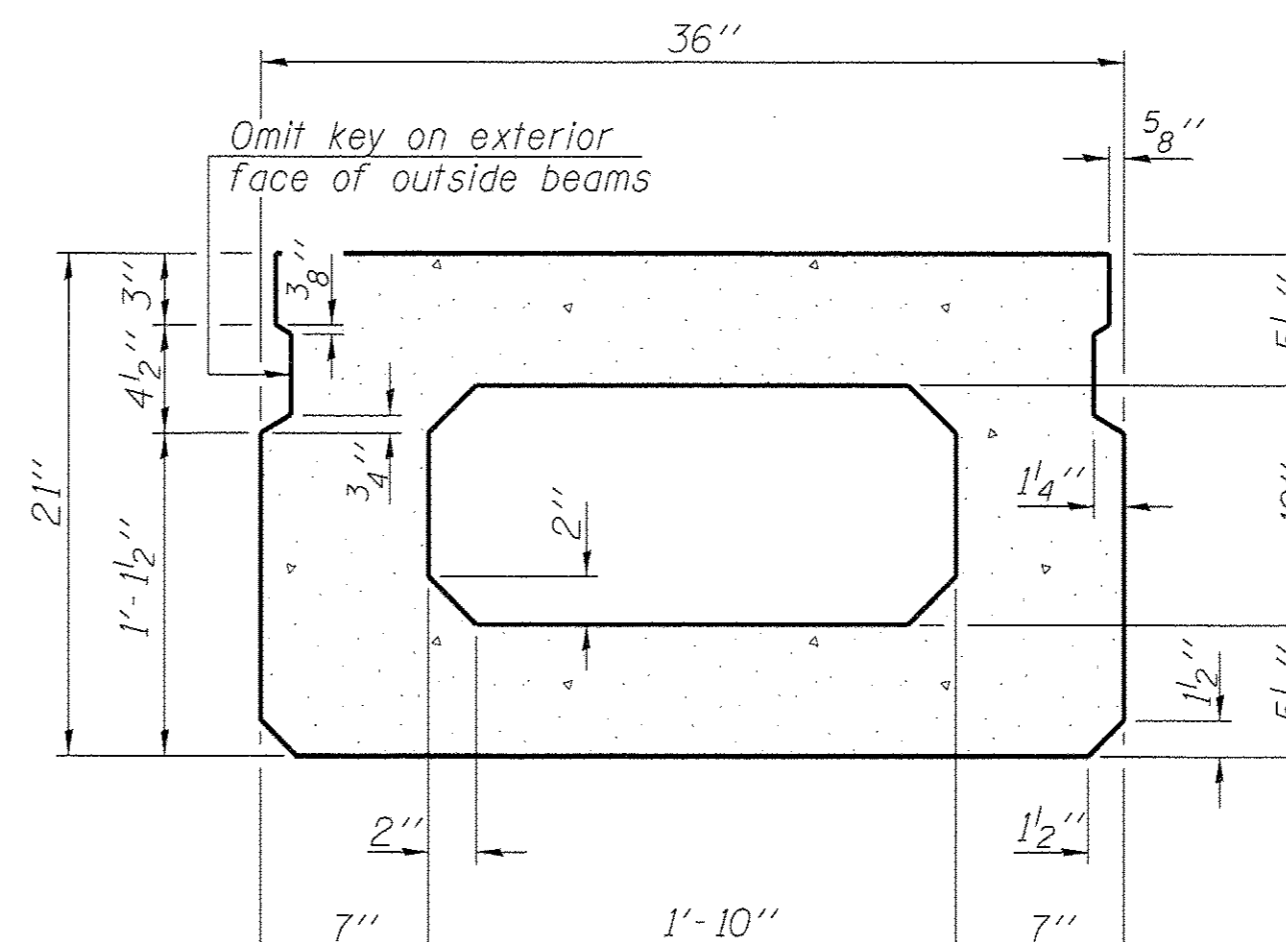
SECTION A-A



SECTION B-B

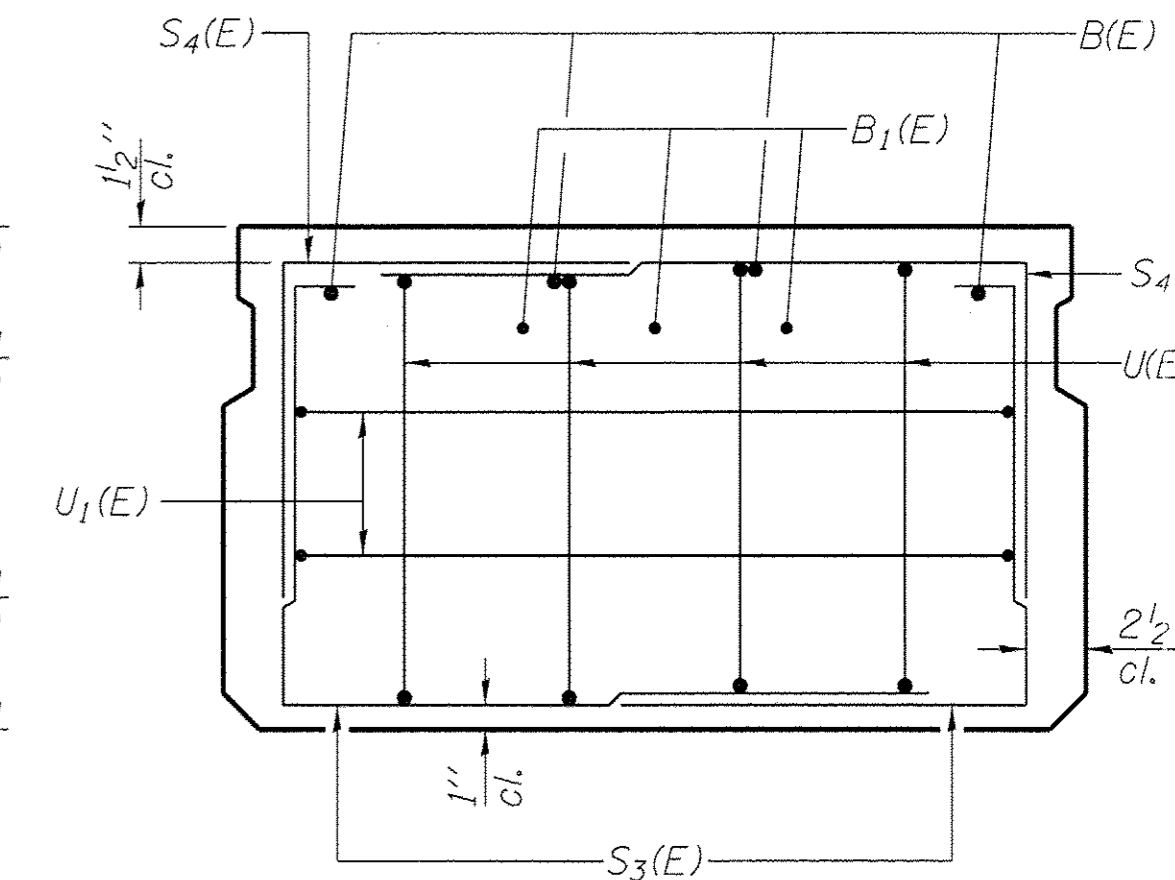
(Showing reinforcement and permissible strand locations)

Note: Place the number of strands specified in each row symmetrically about the centerline of beam in the permissible strand locations shown.



SECTION B-B

(Showing dimensions)



VIEW C-C

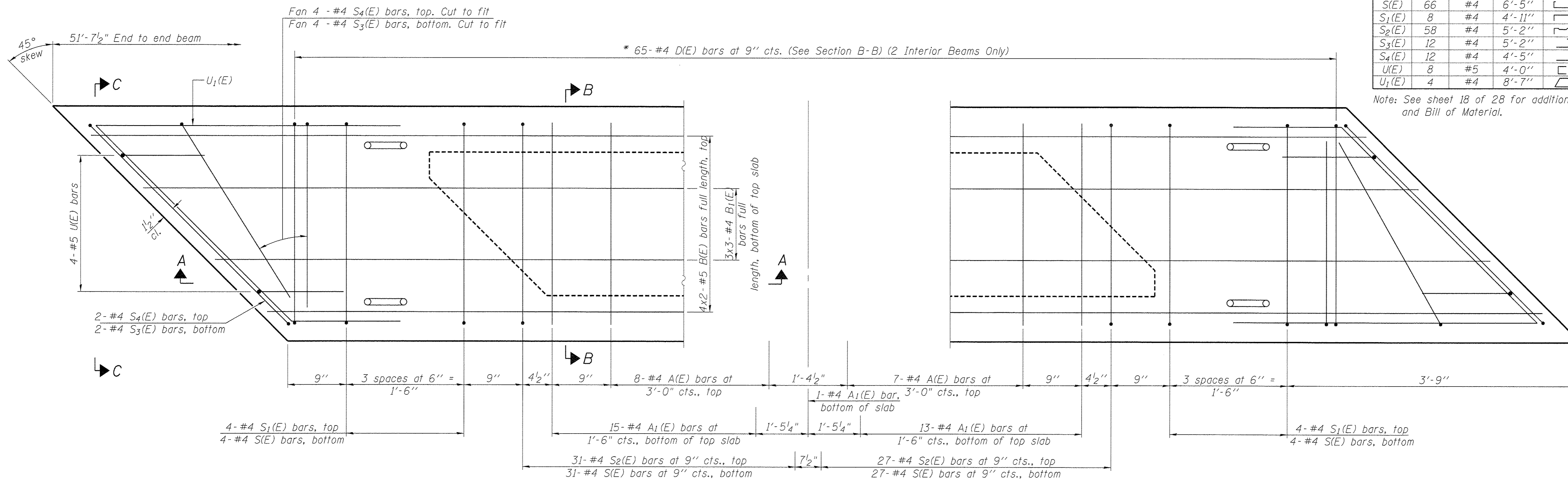
BAR LIST  
ONE BEAM ONLY

(For information only)

Bar	No.	Size	Length	Shape
A(E)	15	#4	2'-7"	—
A1(E)	29	#4	2'-10"	~
B(E)	8	#5	27'-1"	—
B1(E)	9	#4	19'-7"	—
D(E)	65	#4	4'-7"	□
S(E)	66	#4	6'-5"	□
S1(E)	8	#4	4'-11"	□
S2(E)	58	#4	5'-2"	□
S3(E)	12	#4	5'-2"	□
S4(E)	12	#4	4'-5"	□
U(E)	8	#5	4'-0"	□
U1(E)	4	#4	8'-7"	□

Note: See sheet 18 of 28 for additional details and Bill of Material.

\* For dimensions of D(E) bar See Sheet 9 of 28.



PLAN VIEW

MINIMUM BAR LAP

#4 bar = 2'-0"  
#5 bar = 2'-6"

Note: Spacing of S(E) and S2(E) bars may be adjusted up to 4" in the immediate area of the transverse tie diaphragms to miss the block outs for the transverse ties.

PD-2136-R

7-1-10

FILE NAME *	USER NAME *	DESIGNED -	REVISOR -	<p>Allen Henderson &amp; Associates, Inc. Civil and Structural Engineers Springfield, IL. 62703 Phone: (217)544-8033 IL Design Firm No. 184-001907</p>	<p>21" X 36" PPC DECK BEAM (SPAN 2) STRUCTURE NO. 084-6019</p>	F.A.U. RTE.	SECTION	COUNTY	TOTAL SHEET NO.	
		CHECKED -	REVISOR -			8006	10-00470-00-BR	SANGAMON	90	57
		PLOT SCALE =	REVISOR -			CONTRACT NO. 93600				
		PLOT DATE =	REVISOR -			SHEET NO. 17 OF 28 SHEETS				

ILLINOIS FED. AID PROJECT