

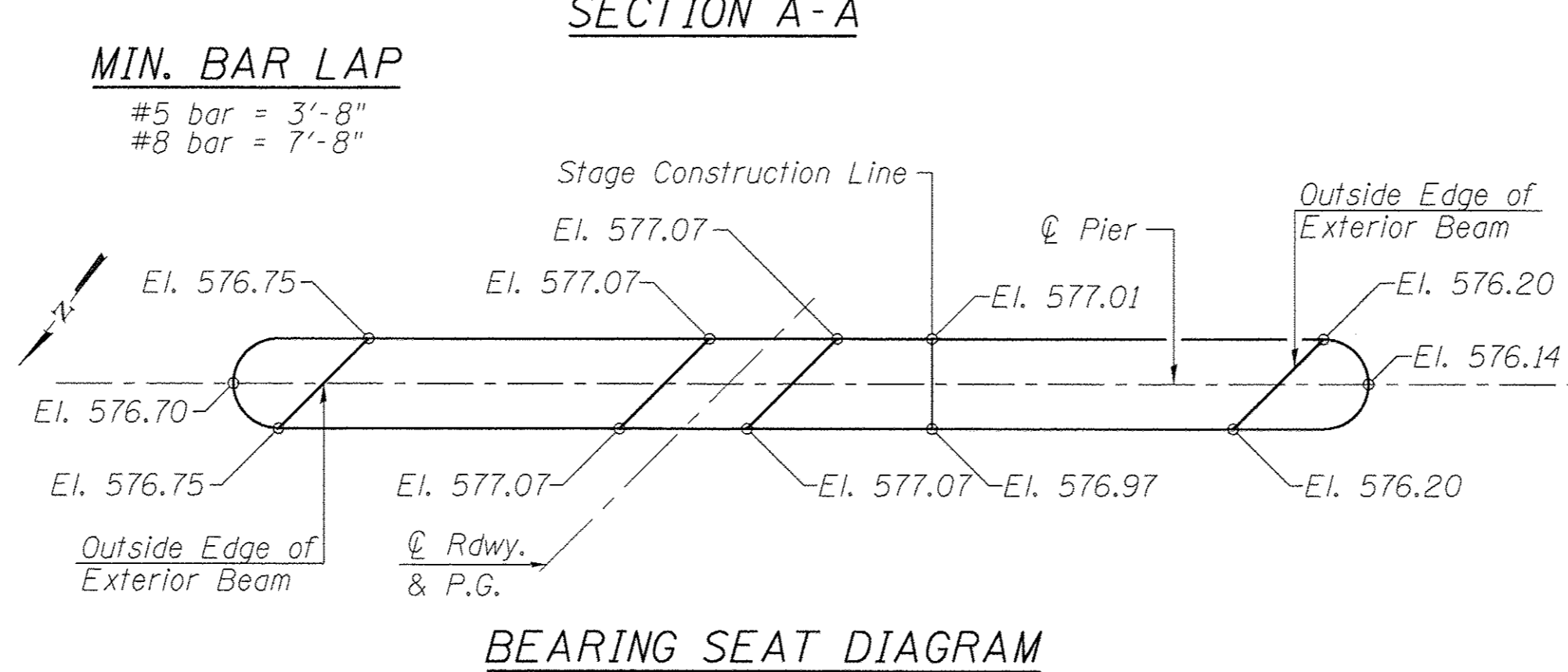
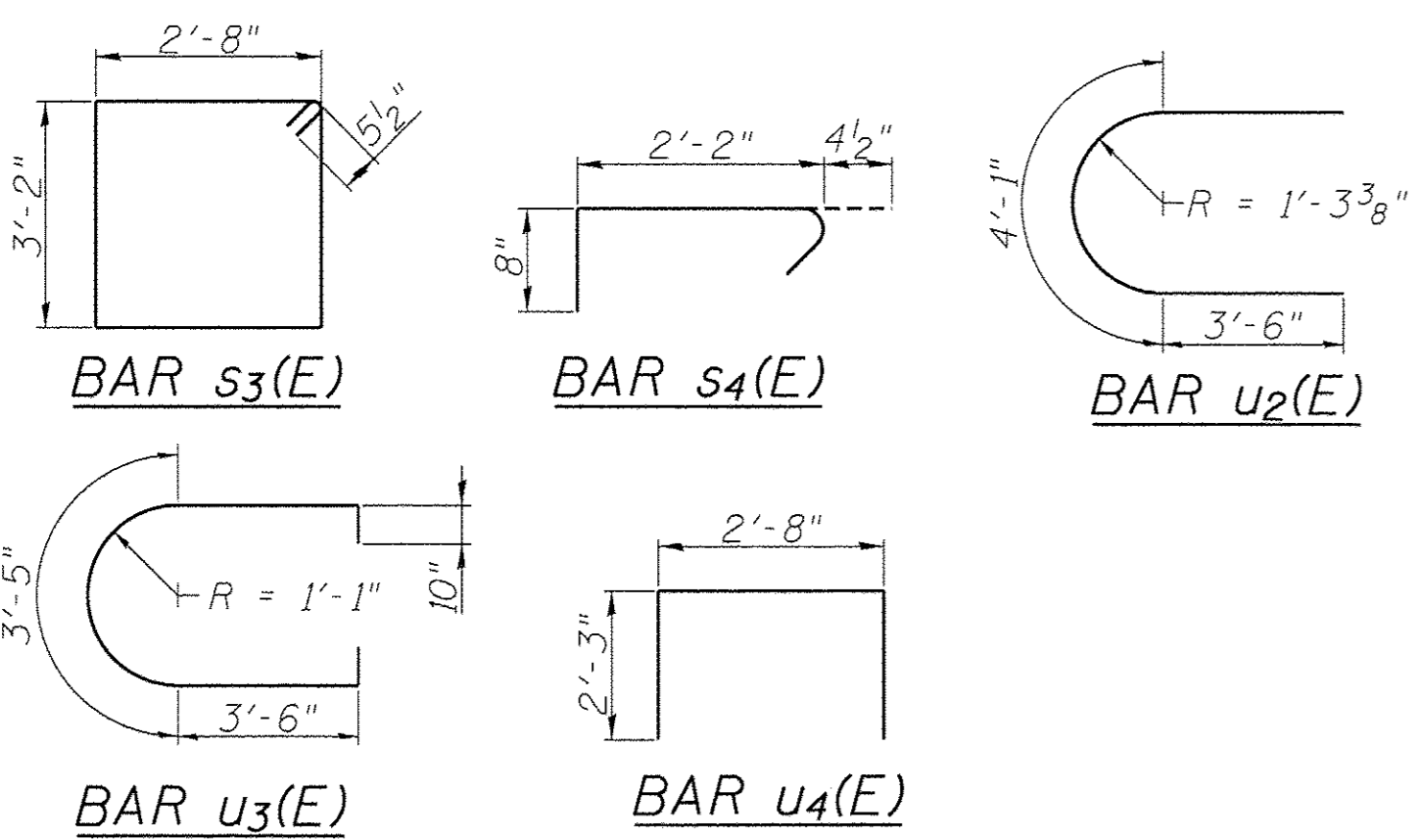
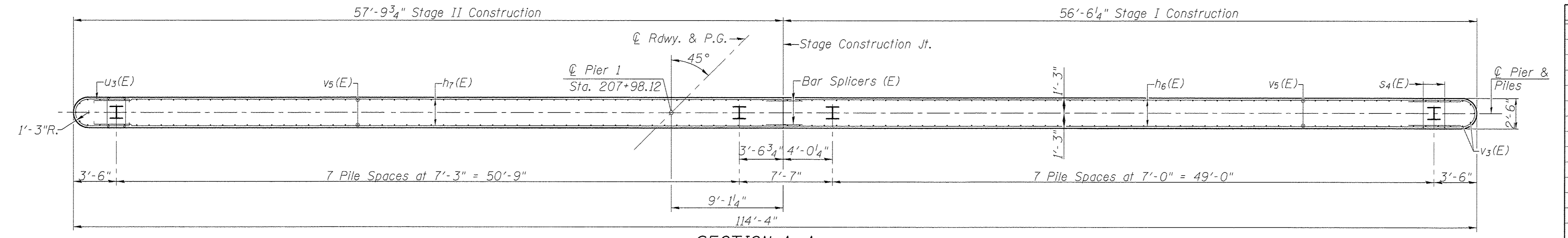
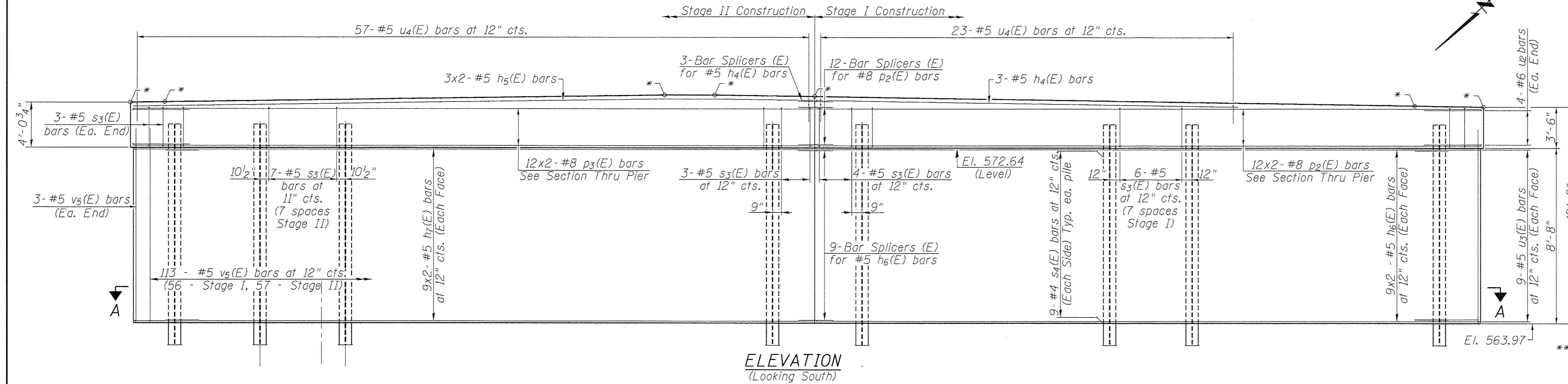
Type: Steel HP 12x63
 Nominal Required Bearing: 497 Kips
 Factored Resistance Available: 260 Kips
 Estimated Pile Length: 67'
 Number of Production: 15
 Number of Test Piles: 1**

** Driven to 110% of Nominal Required Bearing

BILL OF MATERIAL

Bar	No.	Size	Length	Shape
h ₄ (E)	3	#5	22'-3"	—
h ₅ (E)	6	#5	30'-0"	—
h ₆ (E)	36	#5	29'-4"	—
h ₇ (E)	36	#5	30'-0"	—
p ₂ (E)	24	#8	31'-4"	—
p ₃ (E)	24	#8	32'-0"	—
s ₃ (E)	104	#5	12'-7"	□
s ₄ (E)	288	#4	3'-3"	└┘
u ₂ (E)	8	#6	11'-1"	U
u ₃ (E)	18	#5	12'-1"	U
u ₄ (E)	80	#5	7'-2"	└┘
v ₅ (E)	232	#5	11'-0"	—
Cofferdam Excavation		Cu. Yd.	153	
Concrete Structures		Cu. Yd.	143.4	
Reinforcement Bars, Epoxy Coated		Pound	12160	
Furnishing Steel Piles HP 12x63		Foot	1005	
Driving Piles		Foot	1005	
Test Pile, Steel HP 12x63		Each	1	
Cofferdam (Type 1), Location 1		Each	1	

For details of Bar Splicers, see sheet 25 of 28.
 For details of piles see sheet 24 of 28.
 Space reinforcement in pier caps to miss beam anchor dowels.



Piles located within the Stage I Construction limits shall not be driven prior to the de-energizing of the aerial electrical lines (hereafter known as "utility adjustment") located along the west side of Chatham Road. The electrical lines are owned and maintained by City, Water, Light and Power (CWLP). CWLP shall be responsible for all work required for the utility adjustment. The Contractor shall coordinate and accommodate the utility adjustment with CWLP. Rob Cunningham of CWLP shall be contacted a minimum of two months prior to driving piles at 217-757-8520. All costs associated with the utility adjustment shall not be paid for separately but shall be included in the cost of Driving Piles.