

**GENERAL NOTES**

WHERE SECTION OR SUBSECTION MONUMENTS ARE ENCOUNTERED, THE ENGINEER SHALL BE NOTIFIED BEFORE SUCH MONUMENTS ARE REMOVED. THE CONTRACTOR SHALL PROTECT AND CAREFULLY PRESERVE ALL PROPERTY MARKS AND MONUMENTS UNTIL THE OWNER, AN AUTHORIZED SURVEYOR OR AGENT HAS WITNESSED OR OTHERWISE REFERENCED THEIR LOCATION.

REMOVAL OF THE EXISTING PAVEMENT (BITUMINOUS SURFACE AND AGGREGATE BASE), WHERE NECESSARY TO CONSTRUCT THE PROPOSED PAVEMENT, SHALL BE CONSIDERED EARTH EXCAVATION. SAWCUTTING THE EXISTING PAVEMENT, DEGRADING THE VACATED PORTION OF TR 57 AND GRADING THE OLD ROAD BED TO DRAIN SHALL BE INCLUDED IN THE COST FOR EARTH EXCAVATION.

THE LOCATIONS OF THE EXISTING ELECTRIC POWER LINES, TELEPHONE LINES AND OTHER UTILITIES AS SHOWN ON THE PLANS ARE BASED ON CAREFUL FIELD INVESTIGATION AND THE BEST INFORMATION AVAILABLE, BUT ARE NOT GUARANTEED. IT SHALL BE THE CONTRACTOR'S RESPONSIBILITY TO ASCERTAIN THEIR EXACT LOCATION FROM THE UTILITY COMPANIES AND FIELD INSPECTION. SEE STANDARD SPECIFICATIONS.

THE AREA TO BE SEEDED SHALL CONSIST OF ALL DISTURBED EARTH SURFACES WITHIN THE RIGHT-OF-WAY AS DIRECTED BY THE ENGINEER.

SEEDING, CLASS 2 - 0.80 ACRES

PLAN ELEVATIONS REPRESENT ASSUMED DATUM

**APPLICATION RATES USED IN QUANTITY CALCULATIONS**

GRANULAR MATERIALS ..... 2.05 TONS/CU.YD.  
 STONE RIPRAP, CLASS A4 ..... 1.50 TONS/CU.YD.  
 TEMP. EROSION CONTROL SEEDING ..... 100 LB/PER AC.

**SUMMARY OF QUANTITIES**

CODE NO.	ITEM	UNIT	TOTAL
20200100	EARTH EXCAVATION	CU YD	237
20300100	CHANNEL EXCAVATION	CU YD	92
20400800	FURNISHED EXCAVATION	CU YD	6,233
* X2501000	SEEDING, CLASS 2 (SPECIAL)	ACRE	0.8
28000250	TEMPORARY EROSION CONTROL SEEDING	POUND	80
28000305	TEMPORARY DITCH CHECKS	FOOT	63
28100207	STONE RIPRAP, CLASS A4	TON	153
28200200	FILTER FABRIC	SQ YD	230
35101400	AGGREGATE BASE COURSE, TYPE B	TON	773
50105220	PIPE CULVERT REMOVAL	FOOT	34
70101830	TRAFFIC CONTROL AND PROTECTION, STANDARD BLR 21	L SUM	1
* 50400605	PRECAST PRESTRESSED CONCRETE DECK BEAMS (33' DEPTH)	SO FT	1,780
50300225	CONCRETE STRUCTURES	CU YD	28.5
50800105	REINFORCEMENT BARS	POUND	3,010
Δ 50900205	STEEL RAILING TYPE S-1	FOOT	150
51500100	NAME PLATES	EACH	1
51201600	FURNISHING STEEL PILES - HP 12X53	FOOT	585
51202305	DRIVING PILES	FOOT	585
51203600	TEST PILES, STEEL - HP 12X53	EACH	1
50300280	CONCRETE ENCASEMENT	CU YD	4.9
40300200	BITUMINOUS MATERIAL (PRIME COAT)	TON	4
40300400	BITUMINOUS MATERIALS (COVER & SEAL COATS)	TON	6
40300500	COVER COAT AGGREGATE	TON	44
40300600	SEAL COAT AGGREGATE	TON	22
50100100	REMOVAL OF EXISTING STRUCTURES	EACH	1
58700300	CONCRETE SEALER	SQ FT	351
66600105	FURNISHING AND ERECTING RIGHT - OF - WAY MARKERS	EACH	15
67100100	MOBILIZATION	L SUM	1

\* SPECIAL PROVISION  
 Δ SPECIALTY ITEMS

CONSTRUCTION TYPE CODE: 001

**PIPE CULVERT REMOVAL**

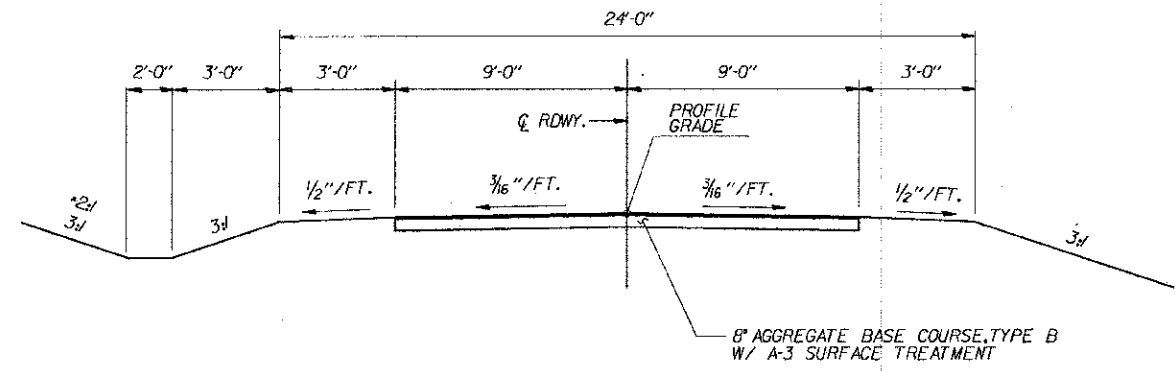
STATION	DIAMETER	LENGTH
9+41 RT.	18" CMP	34 FT.
TOTAL		34 FT.

**TEMPORARY DITCH CHECKS**

STATION	QUANTITY
7+00 LT & RT	18 FEET
7+95 LT & RT	18 FEET
12+25 RT	9 FEET
14+15 RT	9 FEET
14+40 LT	9 FEET
TOTAL	63 FEET

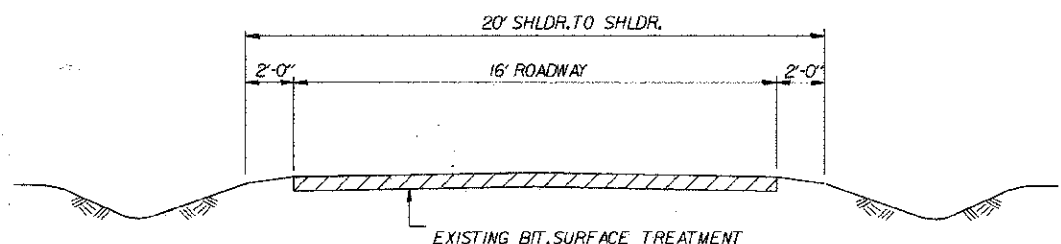
**EARTHWORK SCHEDULE**

LOCATION	EARTH EXCAVATION (CUT) (CU YD)	EARTH EXCAVATION ADJUSTED FOR SHRINKAGE (CU YD)	EMBANKMENT (CU YD)	EARTHWORK BALANCE WASTE (+) OR SHORTAGE (-) (CU YD)
STA. 06+00.00 TO 09+62.50	188	141	3553	-3412
STA 10+37.50 TO 15+50.00	49	37	2858	-2821
TOTAL	237	178	6411	-6233



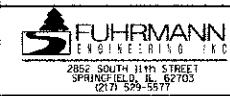
**PROPOSED TYPICAL CROSS SECTION**

STA. 6+00 TO STA. 15+50 - LT. & RT.



**TYPICAL EXISTING CROSS SECTION**

NOTE: THE EXISTING PAVEMENT TO BE REMOVED WILL NOT BE MEASURED FOR PAYMENT BUT SHALL BE CONSIDERED AS INCLUDED IN THE CONTRACT UNIT PRICE FOR "EARTH EXCAVATION."



USER NAME :	DESIGNED -	REVISED -
PLOT SCALE :	CHECKED -	REVISED -
PLOT DATE :	DRAWN -	REVISED -
	CHECKED -	REVISED -

STATE OF ILLINOIS  
 DEPARTMENT OF TRANSPORTATION

SUMMARY OF QUANTITIES, TYPICAL SECTIONS

T.R.	SECTION	COUNTY	TOTAL SHEETS	SHEET NO.
57	06-03111-00-BR	CHRISTIAN	17	2
			CONTRACT NO. 9 8 6 0 1	
ILLINOIS FED. AID PROJECT				