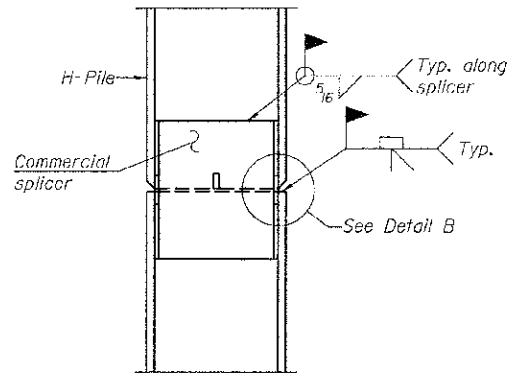
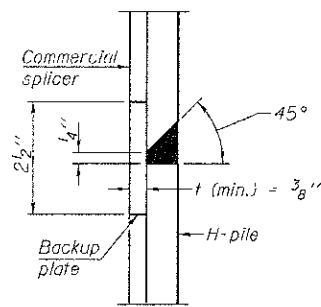


**STEEL PILE TABLE**

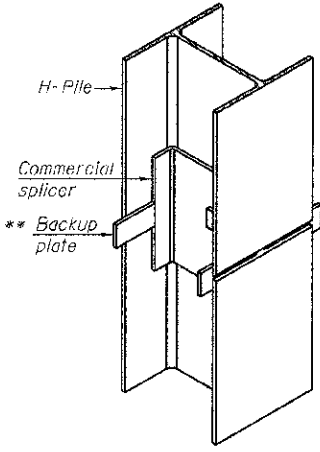
Designation	Depth d	Flange width bf	Web and Flange thickness t	Encasement diameter A
HP 14x117	14 1/4"	14 7/8"	3/8"	30"
x102	14"	14 3/4"	1/16"	30"
x89	13 7/8"	14 3/4"	5/8"	30"
x73	13 5/8"	14 5/8"	1/2"	30"
HP 12x84	12 1/4"	12 1/4"	1/16"	24"
x74	12 1/8"	12 1/4"	5/8"	24"
x63	12"	12 9/8"	1/2"	24"
x53	11 3/4"	12"	1/16"	24"
HP 10x57	10"	10 1/4"	9/16"	24"
x42	9 3/4"	10 1/8"	7/16"	24"
HP 8x36	8"	8 1/8"	1/16"	18"



**ELEVATION**

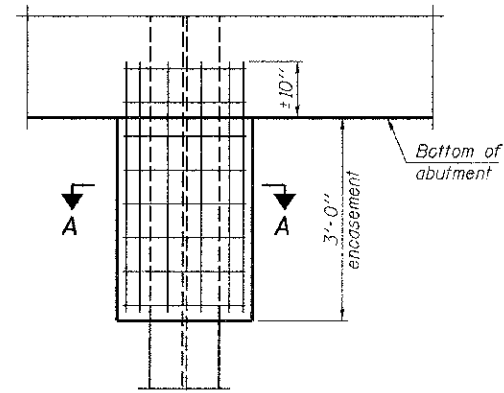


**DETAIL "B"**



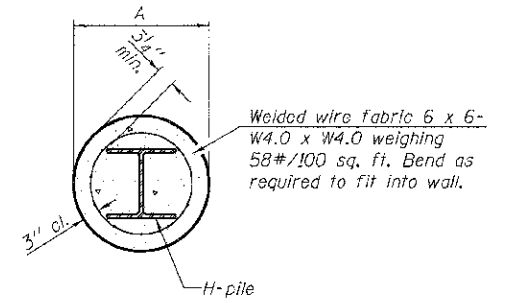
**ISOMETRIC VIEW**

**WELDED COMMERCIAL SPLICE**



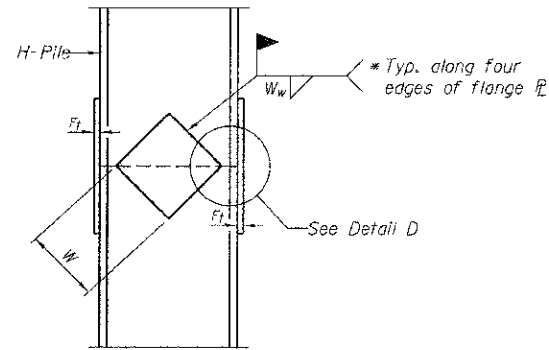
**ELEVATION**

**PILE ENCASEMENT**

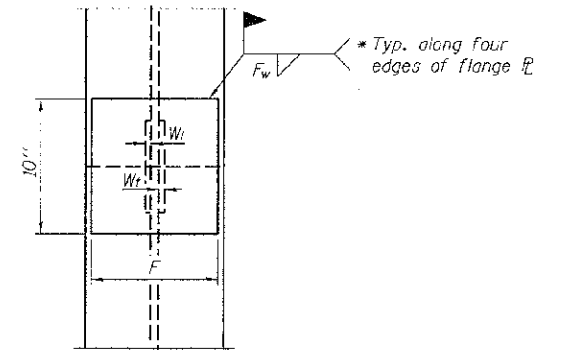


**SECTION A-A**

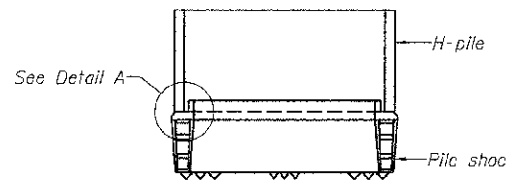
Note:  
Forms for encasement may be omitted when soil conditions permit.



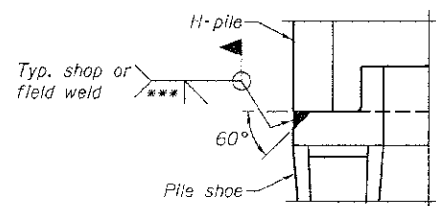
**ELEVATION**



**END VIEW**

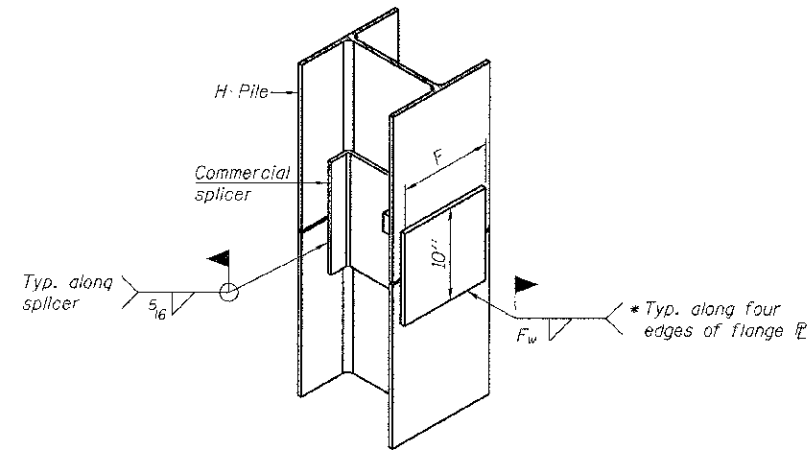


**ELEVATION**



**DETAIL A**

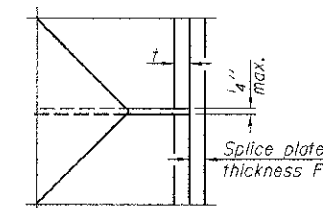
**H-PILE SHOE ATTACHMENT**



**ISOMETRIC VIEW**

**WELDED COMMERCIAL SPLICE ALTERNATE**

- \* Interrupt welds 1/4" from end of web and/or each flange.
- \*\* Remove portions of backup plates that extend outside the flanges.
- \*\*\* Weld size per pile shoe manufacturer (5/16" min.).



**DETAIL D**

**WELDED PLATE FIELD SPLICE**

Designation	F	Ft	Fw	W	Wt	Ww
HP 14x117	12 1/2"	1"	7/8"	7 3/4"	5/8"	1/2"
x102	12 1/2"	7/8"	3/4"	7 3/4"	5/8"	1/2"
x89	12 1/2"	3/4"	1/16"	7 3/4"	5/8"	1/2"
x73	12 1/2"	5/8"	9/16"	7 3/4"	5/8"	1/2"
HP 12x84	10"	7/8"	1/16"	6 1/2"	5/8"	1/2"
x74	10"	7/8"	1/16"	6 1/2"	5/8"	1/2"
x63	10"	5/8"	1/2"	6 1/2"	1/2"	3/8"
x53	10"	5/8"	1/2"	6 1/2"	1/2"	3/8"
HP 10x57	8"	3/4"	5/16"	5 1/4"	1/2"	3/8"
x42	8"	5/8"	9/16"	5 1/4"	1/2"	3/8"
HP 8x36	7"	5/8"	7/16"	4 1/4"	1/2"	3/8"

Note:  
The steel H-piles shall be according to AASHTO M270 Grade 50.

F-HP

7-1-10



USER NAME	DESIGNED	REVISED
PLOT SCALE	CHECKED	REVISED
PLOT DATE	DRAWN	REVISED
	CHECKED	REVISED

STATE OF ILLINOIS  
DEPARTMENT OF TRANSPORTATION

HP PILE DETAILS  
STRUCTURE NO. 011-3408

Sheet No. 3 of 8 sheets.

T.R.	SECTION	COUNTY	TOTAL SHEETS	SHEET NO.
57	06-03111-00-BR	CHRISTIAN	17	6
CONTRACT NO. 93601				
ILLINOIS FED. AID PROJECT				