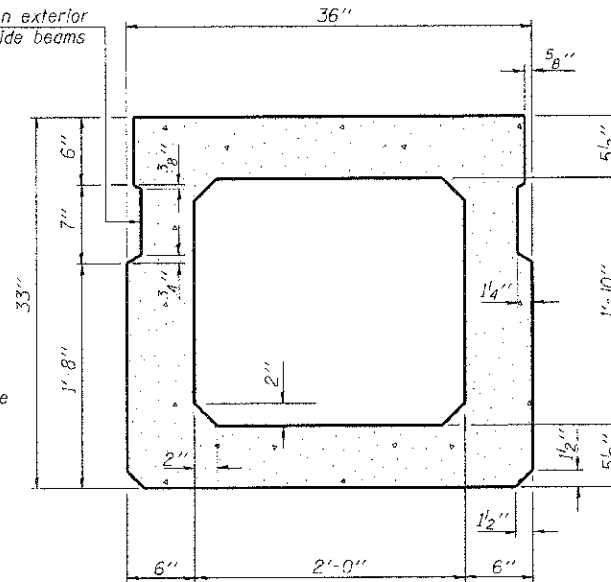
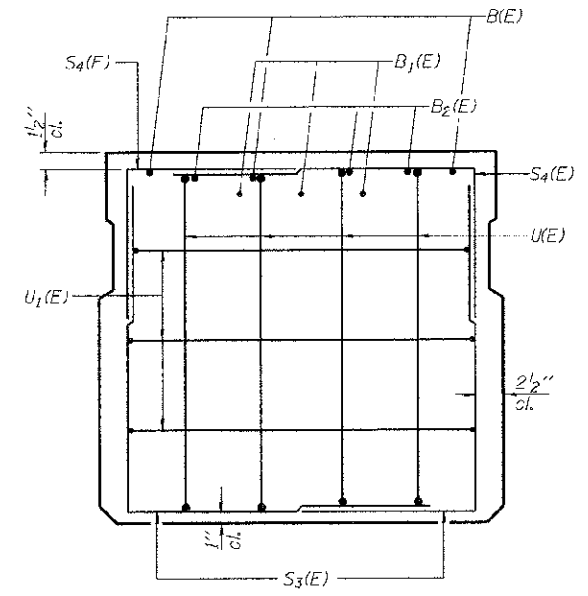


SECTION C-C

* Omit key on exterior face of outside beams

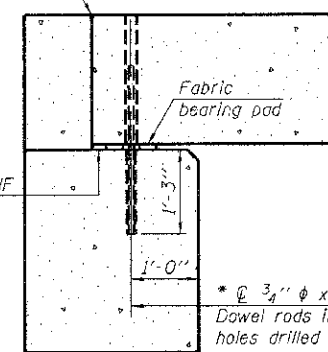


SECTION A-A
(Showing dimensions)



VIEW B-B

1/4" x 3/4" Sawn joint with elastic joint filler (full width)



SECTION THRU ABUTMENT

(At Rt. Angles)

*After the beams are in place, 1/4" ϕ holes shall be drilled into the bridge seat, and the dowel rods grouted and allowed to cure (min. 24 hrs.) prior to grouting the shear keys. The grout shall be an approved non-shrink grout.

BAR LIST
ONE BEAM ONLY

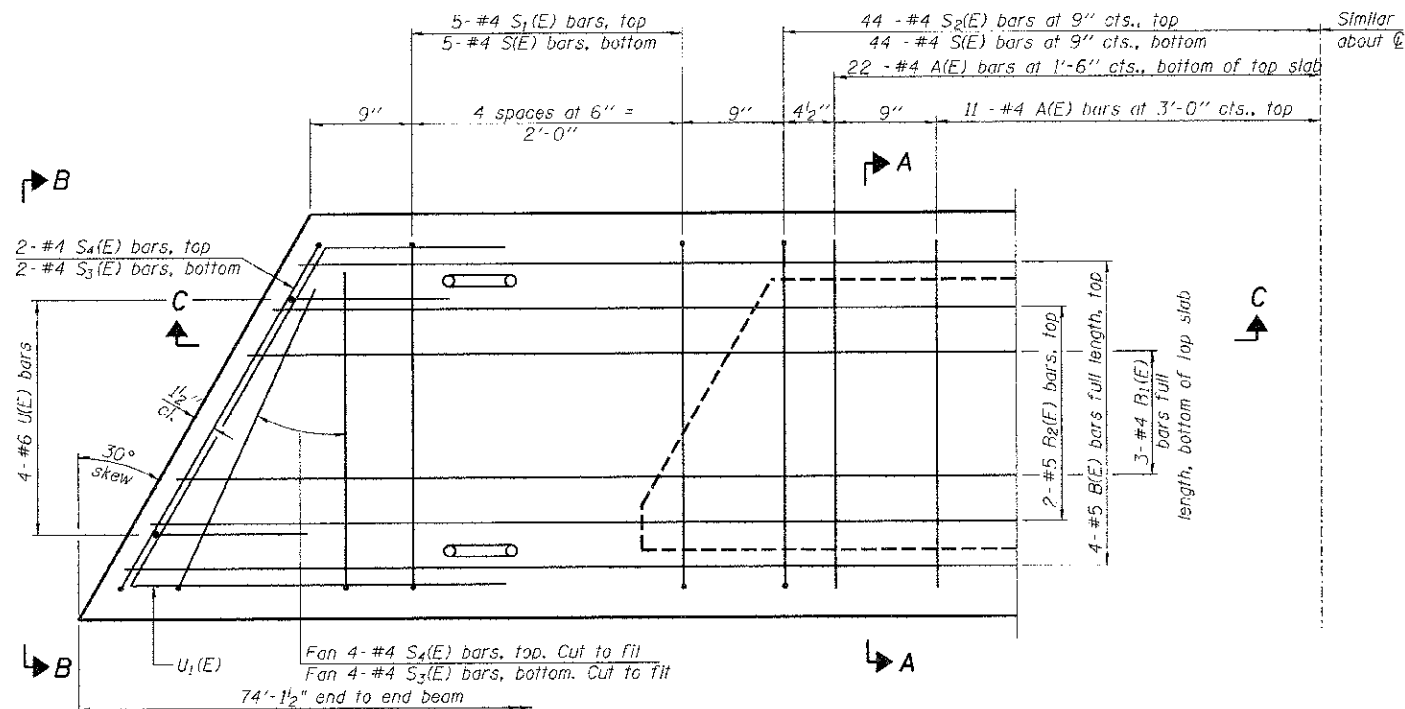
(For information only)

Bar	No.	Size	Length	Shape
A(E)	66	#4	2'-7"	—
B(E)	12	#5	26'-4"	—
B1(E)	9	#4	26'-4"	—
B2(E)	4	#5	10'-0"	—
S(E)	98	#4	7'-5"	U
S1(E)	10	#4	6'-3"	U
S2(E)	88	#4	6'-6"	U
S3(E)	12	#4	5'-3"	U
S4(E)	12	#4	4'-8"	U
U(E)	8	#6	5'-0"	C
U1(E)	6	#4	6'-11"	C

Note: See sheet 9 of 17 for additional details and Bill of Material.

* Rail post anchor Devices to be cast into exterior face of outside beams (Sheet 4 of 8).

Similar about ϕ

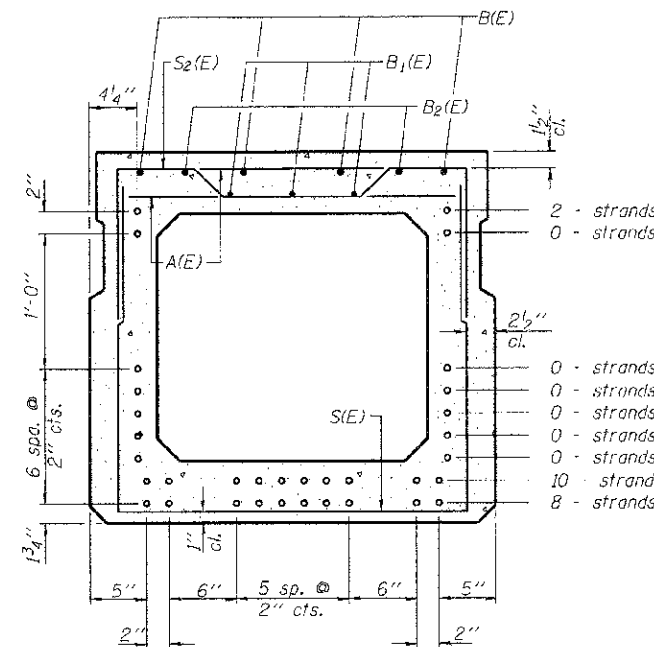


PLAN VIEW

MINIMUM BAR LAP

#4 bar = 2'-0"
#5 bar = 2'-6"

Note: Spacing of S(E) and S2(E) bars may be adjusted up to 4" in the immediate area of the transverse tie diaphragms to miss the block outs for the transverse ties.



SECTION A-A

(Showing reinforcement and permissible strand locations)

Note: Place the number of strands specified in each row symmetrically about the centerline of beam in the permissible strand locations shown.



USER NAME *	DESIGNED -	REVISED -
PLOT SCALE *	CHECKED -	REVISED -
PLOT DATE *	DRAWN -	REVISED -
	CHECKED -	REVISED -

STATE OF ILLINOIS
DEPARTMENT OF TRANSPORTATION

33" x 36" PPC DECK BEAM
SN 011-3408

Sheet No. 5 of 8 sheets.

T.R.	SECTION	COUNTY	TOTAL SHEETS	SHEET NO.
57	06-03111-00-BR	CHRISTIAN	17	8
ILLINOIS FED. AID PROJECT			CONTRACT NO. 9 3 6 0 1	