

NOTES

Hollow structural steel tubing shall conform to the requirements of ASTM designation A 500 Grade B Structural Steel Tubing and shall meet the longitudinal CVN requirements of 15 ft-lbs at 0° F.

All other steel shapes and plates shall conform to the requirements of AASHTO M 270 Grade 36 except posts and angles shall conform to AASHTO M 270, Grade 50.

Bolts, cap screws, and nuts shall conform to the requirements of ASTM designation A 307 except for high strength bolts, nuts and washers noted which shall conform to AASHTO M 164.

All bolts, nuts, cap screws, washers and lock washers shall be galvanized according to AASHTO M 232.

All posts, railing, rail splices, anchor devices and angles shall be galvanized after shop fabrication according to AASHTO M 111 and ASTM A 385. Galvanized rail shall not be painted.

Railing shall be according to Section 509 of the Standard Specifications, except as noted, and will be paid for at the contract unit price per foot for STEEL RAILING, TYPE S-1.

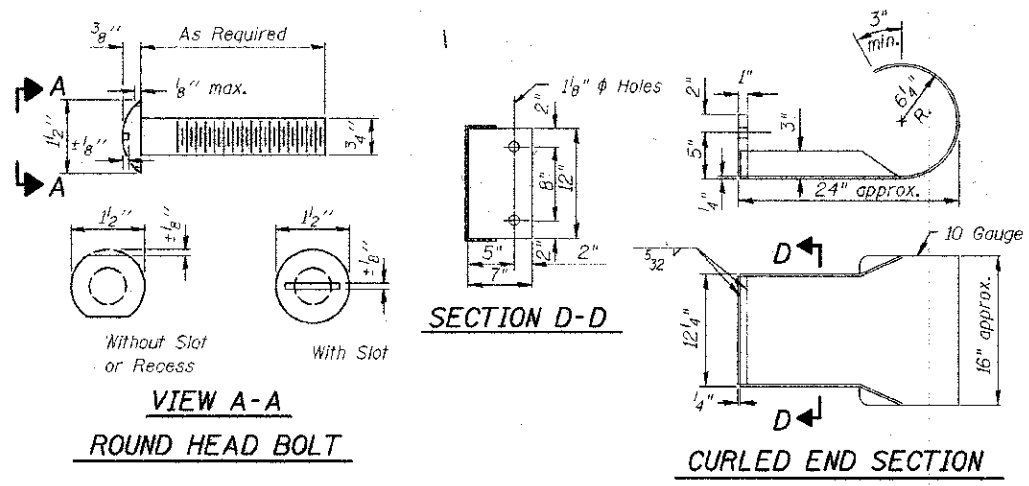
All field drilled holes shall be coated with an approved zinc rich paint before erection.

The lower portion of the post flange in contact with concrete shall receive two coats of asphalt paint conforming to Section 1060.07 Type II or place 1/2" fabric bearing pad between the post and concrete.

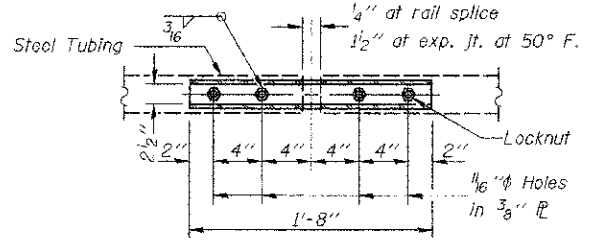
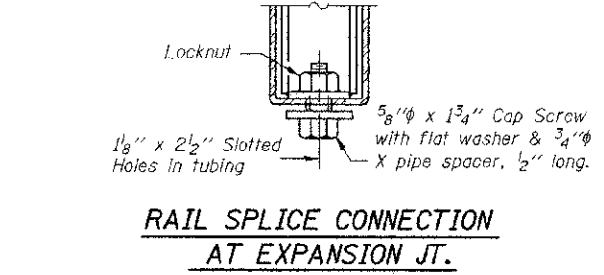
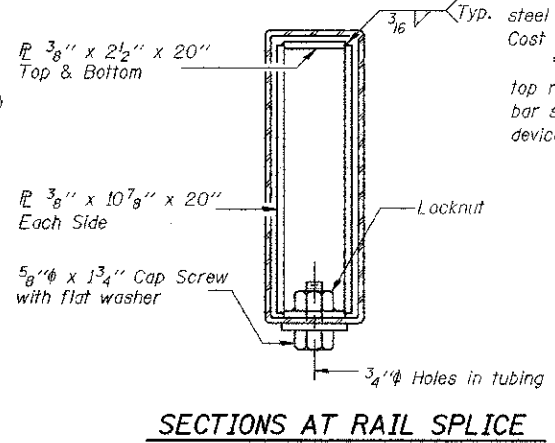
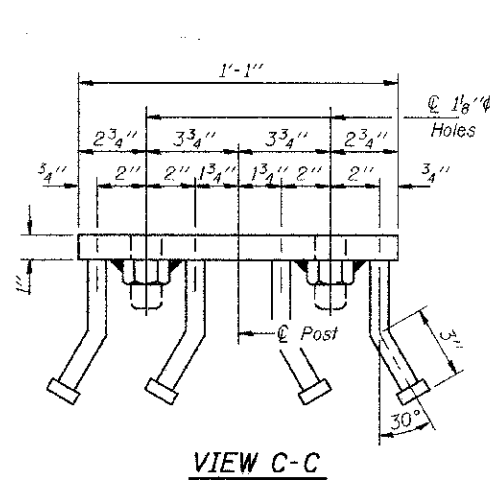
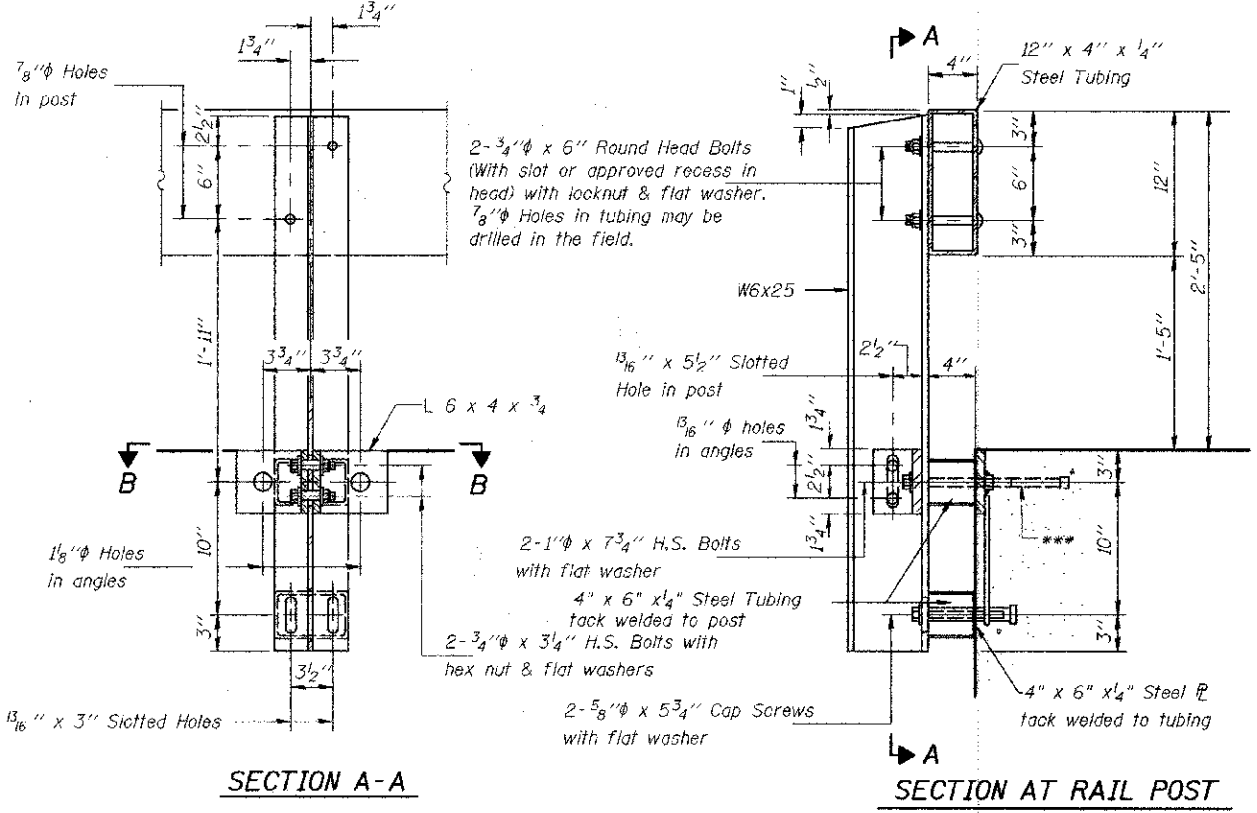
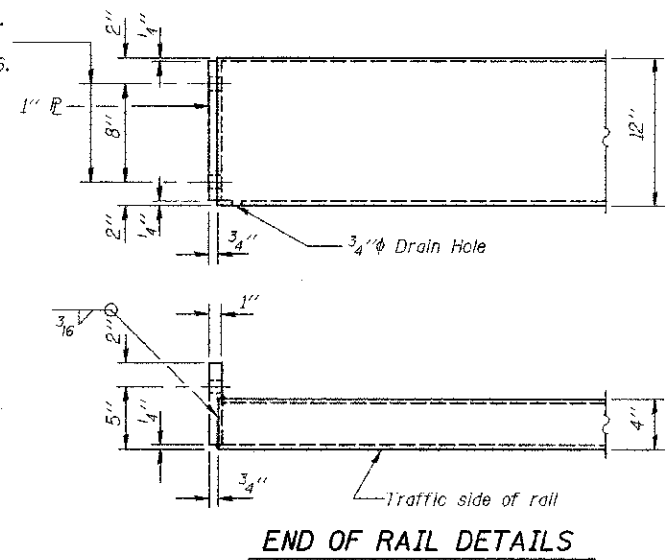
The 3/4" high strength bolts used to connect the 6 x 4 x 3/4 angles to the post shall be tightened according to Article 505.04(F)(2) of the Standard Specifications. The 1" high strength bolts connecting the angles to the concrete shall be tightened to a snug fit and given an additional 1/8 turn. The 5/8" cap screws in bottom of posts shall be tightened to a snug fit only.

For multi-span bridges, sufficient 1/4" x 6" x 1'-2" galvanized steel shims shall be provided to align rail between adjacent spans. Cost included with STEEL RAILING, TYPE S-1.

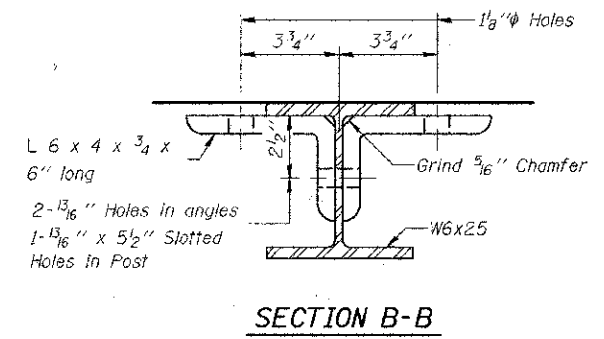
*** The studs of the anchor devices shall be placed below the top reinforcement bars and the outermost longitudinal reinforcement bar shall be placed directly above the studs of the rail post anchor devices.



1/8" φ Holes for 1" φ x 4" Round Head Bolts. Provide 2 flat washers & locknuts for guard rail connection shown on Std. 631026.



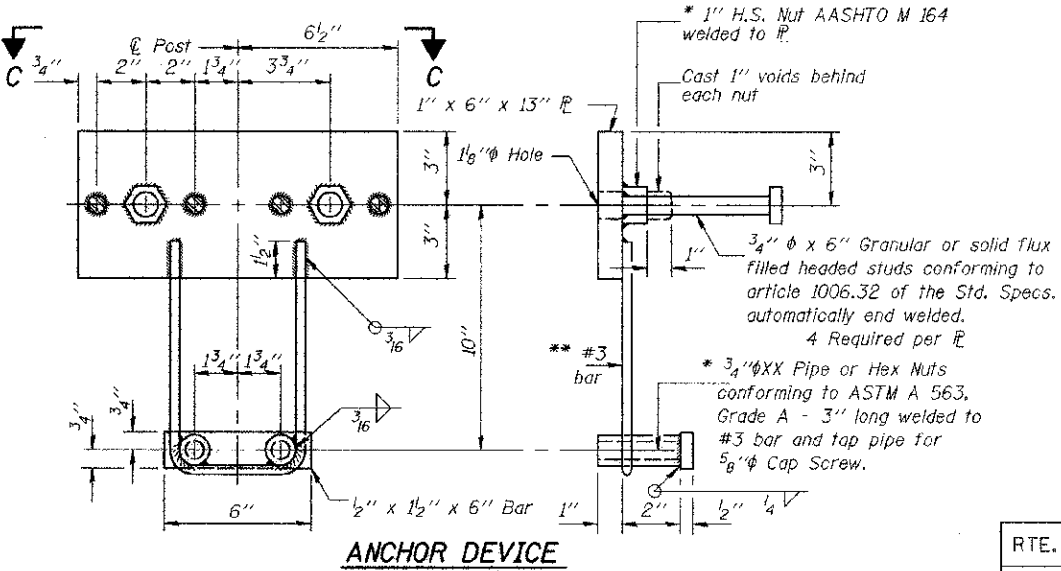
TYPE S-1 STEEL RAILING
STRUCTURE NO. 087-3565



BILL OF MATERIAL

Item	Unit	Quantity
Steel Railing Type S-1	Foot	214

** Whenever the lower insert assemblies interfere with diaphragm locations, the #3 bars shall be cut and adjusted.



* Threaded areas shall be plugged or blocked off during casting of beam.

THE UPCHURCH GROUP, INC.

RTE.	SECTION	COUNTY	TOTAL SHEETS	SHEET NO.
TR217	07-01125-00-BR	SHELBY	15	7
CONTRACT NO. 95655				
FED. ROAD DIST. NO.		ILLINOIS FED. AID PROJECT		