

ROUTE	SECTION	COUNTY	TOTAL SHEETS	SHEET NO.
T.R. 87	11-09113-00-BR	LAWRENCE	15	2
CONTRACT NO. 95693		ILLINOIS	PROJECT BROS-0101(045)	

DESIGN DATA

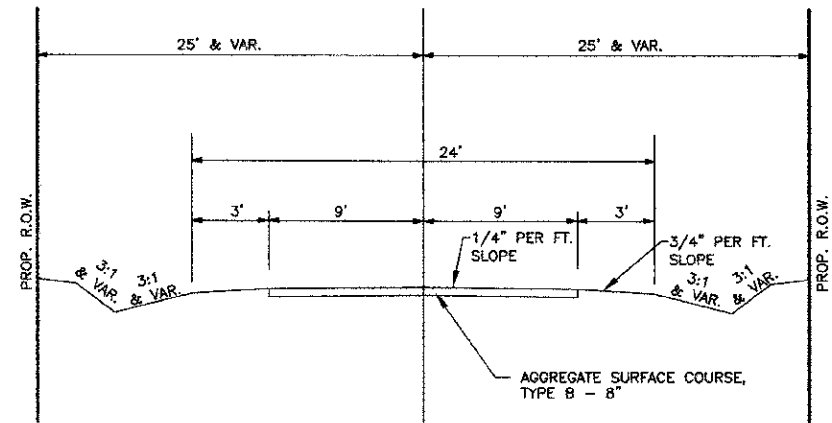
RURAL LOCAL ROAD
ADT = 225

GENERAL NOTES

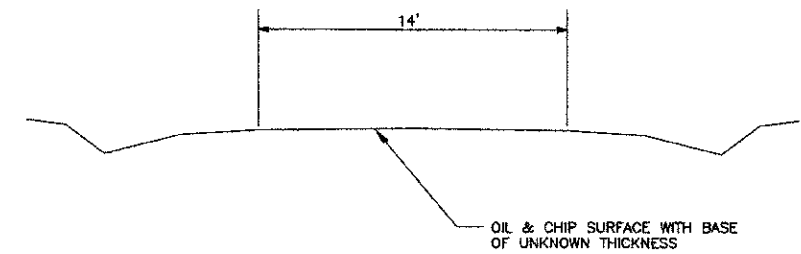
- SEEDING: THIS WORK SHALL BE PERFORMED IN ACCORDANCE WITH THE APPLICABLE PORTIONS OF SECTION 250 OF THE STANDARD SPECIFICATIONS AND SHALL BE PAID FOR AT THE CONTRACT UNIT PRICE FOR SEEDING, CLASS 2 (SPECIAL).
 - SPRING SEEDING SHALL EXTEND FROM JANUARY 1 TO JUNE 30
FALL SEEDING SHALL EXTEND FROM JULY 1 TO DECEMBER 31
 - FERTILIZER NUTRIENTS SHALL BE APPLIED AT THE RATE OF 100 LB/ACRE
 - MULCHING SHALL BE DONE IN ACCORDANCE WITH ARTICLE 251 OF THE STANDARD SPECIFICATIONS AND SHALL BE DONE BY METHOD 2, PROCEDURE 1 AT THE RATE OF 2 TONS PER ACRE.
- NO PAYMENT FOR OVERHAUL WILL BE MADE ON THIS SECTION.

SUMMARY OF QUANTITIES			
CODE NO.	ITEM	UNIT	QUANTITY
X2501000	SEEDING, CLASS 2 (SPECIAL)	ACRE	0.75
Z0065000	SETTING PILES IN ROCK	EACH	6
20200100	EARTH EXCAVATION	CU YD	260
20300100	CHANNEL EXCAVATION	CU YD	190
20400800	FURNISHED EXCAVATION	CU YD	1505
28000305	TEMPORARY DITCH CHECKS	FOOT	81.0
28000400	PERIMETER EROSION BARRIER	FOOT	272
28100807	STONE DUMPED RIPRAP, CLASS A4	TON	145
28300400	AGGREGATE DITCH	TON	97
35101400	AGGREGATE BASE COURSE, TYPE B	TON	75
40200800	AGGREGATE SURFACE COURSE, TYPE B	TON	570
50100100	REMOVAL OF EXISTING STRUCTURES	EACH	1
50105220	PIPE CULVERT REMOVAL	FOOT	120
50300225	CONCRETE STRUCTURES	CU YD	25.6
50300280	CONCRETE ENCASEMENT	CU YD	3.1
50400405	PRECAST PRESTRESSED CONCRETE DECK BEAMS (21" DEPTH)	SQ FT	1393
50800205	REINFORCEMENT BARS, EPOXY COATED	POUND	3546
Δ 50900205	STEEL RAILING, TYPE S1	FOOT	100
51201400	FURNISHING STEEL PILES HP 10X42	FOOT	96
51500100	NAME PLATES	EACH	1
54200220	PIPE CULVERTS, CLASS D, TYPE 1 15"	FOOT	164
54200223	PIPE CULVERTS, CLASS D, TYPE 1 18"	FOOT	85
54200226	PIPE CULVERTS, CLASS D, TYPE 1 21"	FOOT	92
67100100	MOBILIZATION	L. SUM	1

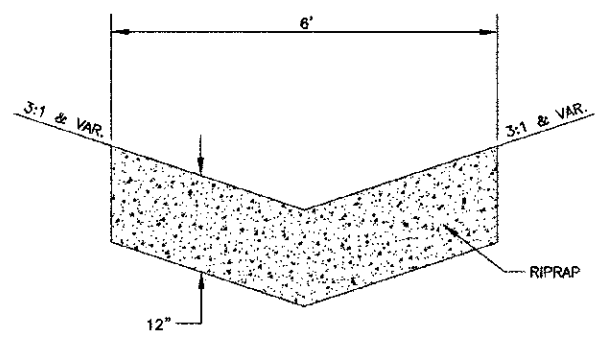
Δ SPECIALLY ITEMS



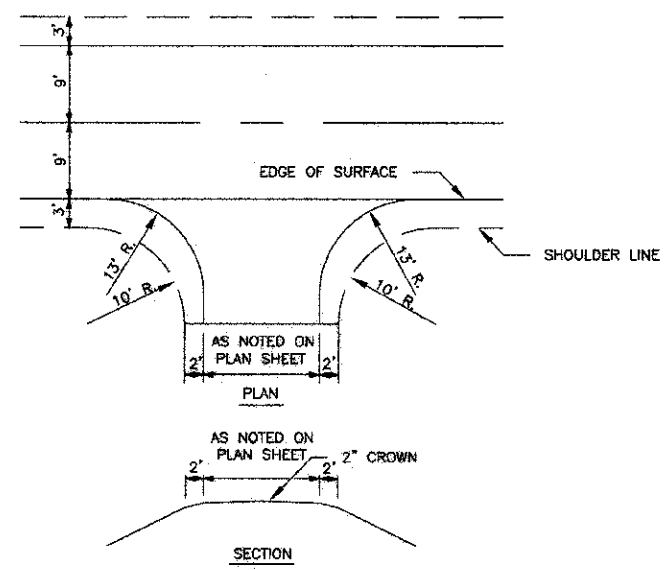
TYPICAL SECTION
PROPOSED



TYPICAL SECTION
EXISTING

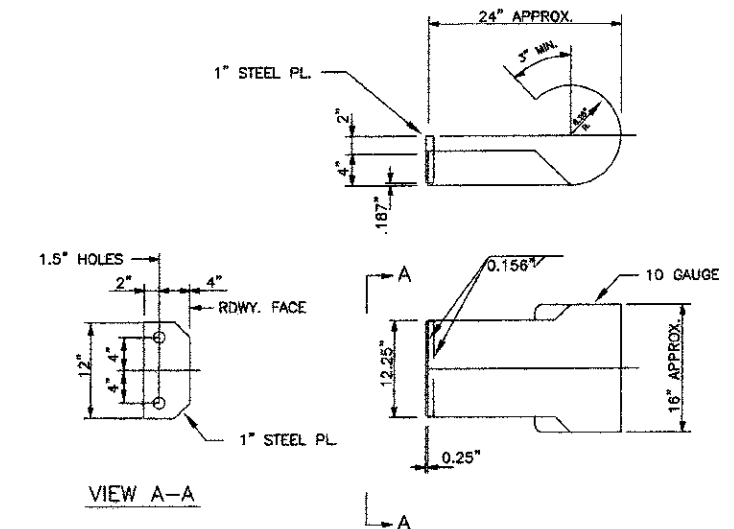


AGGREGATE DITCH DETAIL
LT. STA. 6+00 TO 6+25
LT. STA. 6+55 TO 7+60
RT. STA. 6+00 TO 7+60



FIELD ENTRANCE DETAIL

RT. STA. 2+00
LT. STA. 2+25
RT. STA. 5+36
LT. STA. 6+40



CURLED END SECTION DETAILS

4 REQUIRED - COST INCLUDED IN
"STEEL RAILING, TYPE S-1"