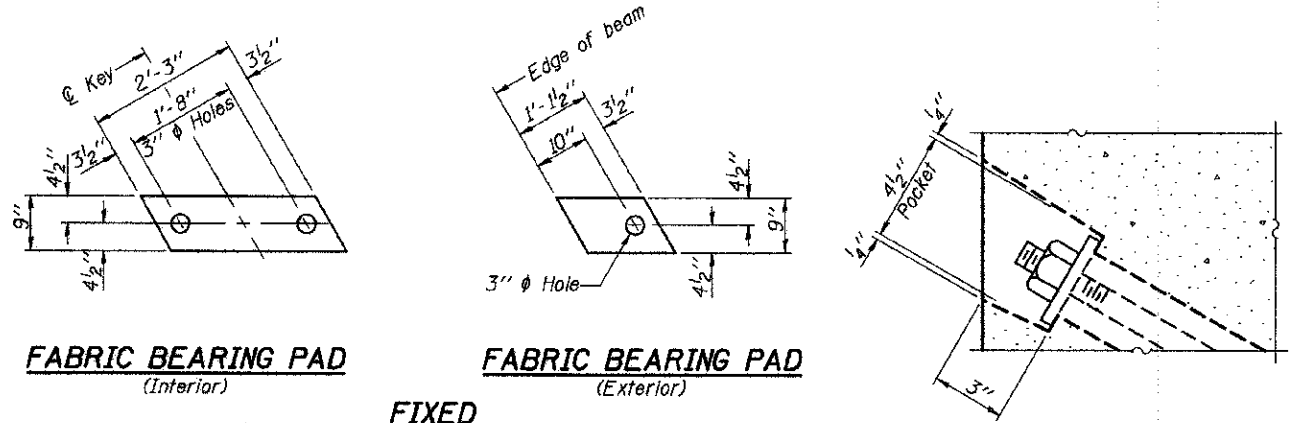


ROUTE	SECTION	COUNTY	TOTAL SHEETS	SHEET NO.
T.R. 87	11-09113-00-BR	LAWRENCE	15	7
CONTRACT NO. 95693		ILLINOIS	PROJECT BROS-0101(045)	

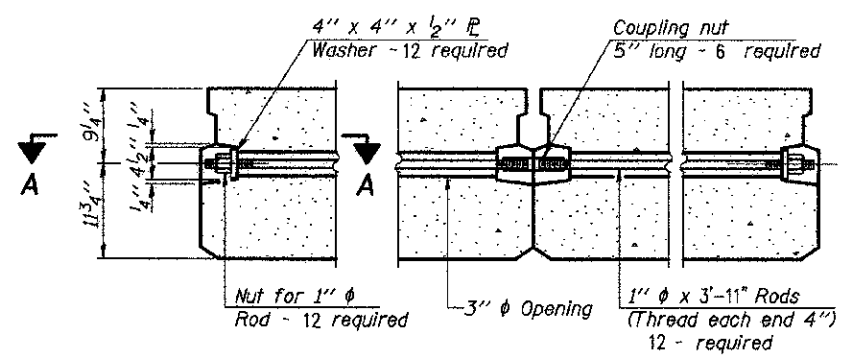


FABRIC BEARING PAD
(Interior)

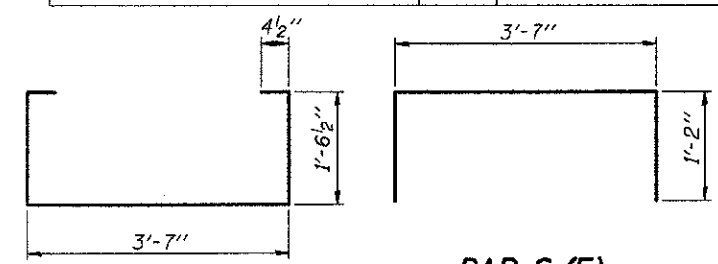
FABRIC BEARING PAD
(Exterior)

FIXED

Notes:
All bearing pads shall be 1" thick.
Omit holes when using expansion bearings.
Expansion bearing pad shall be bonded to the substructure.

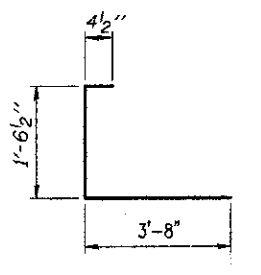


TYPICAL TRANSVERSE TIE ASSEMBLY



BAR S₁(E)

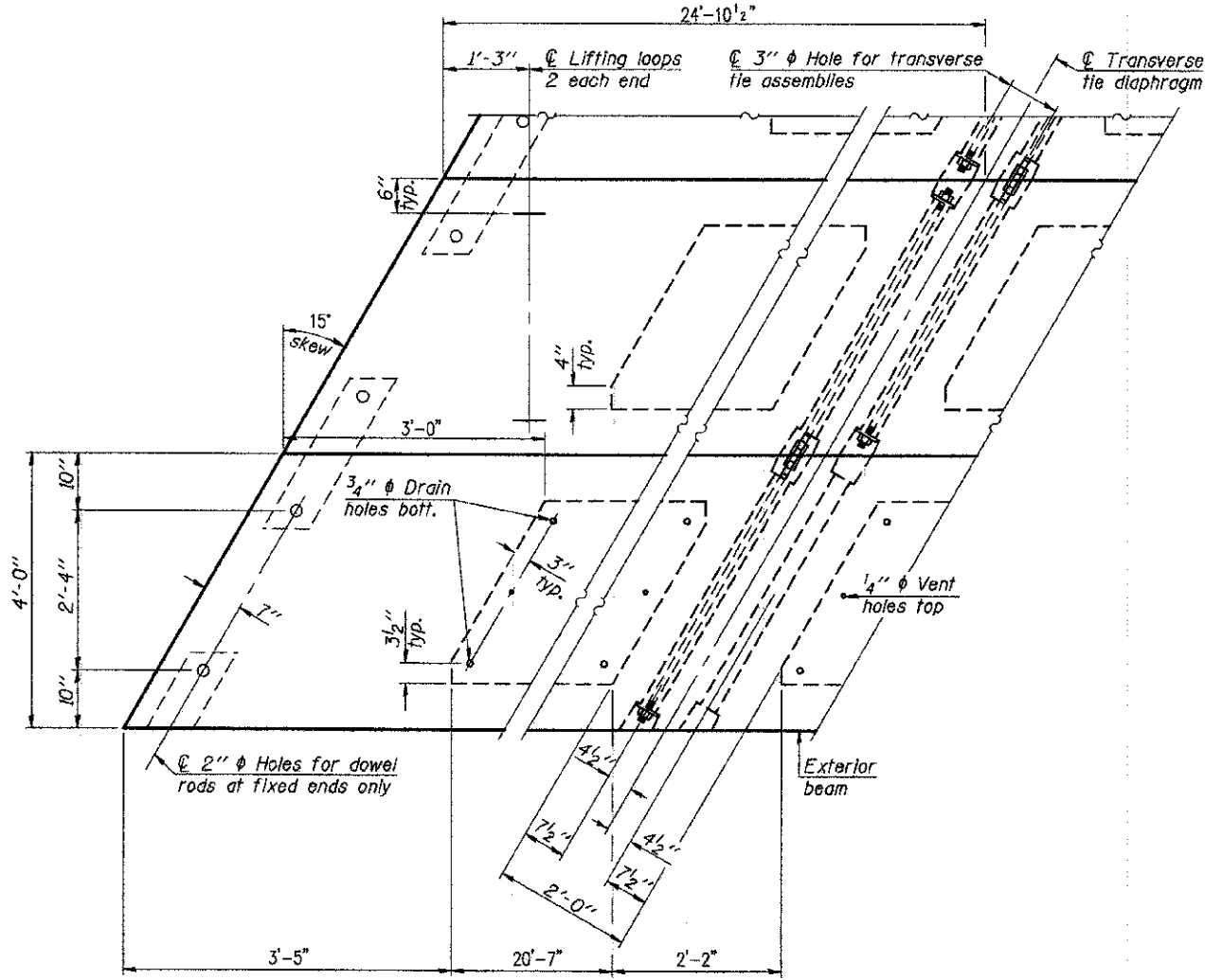
BAR S₂(E)



BAR S₃(E)

BAR U₁(E)

Steel Bridge Rail, Type S-1, See Sheet 8 of 15 for details

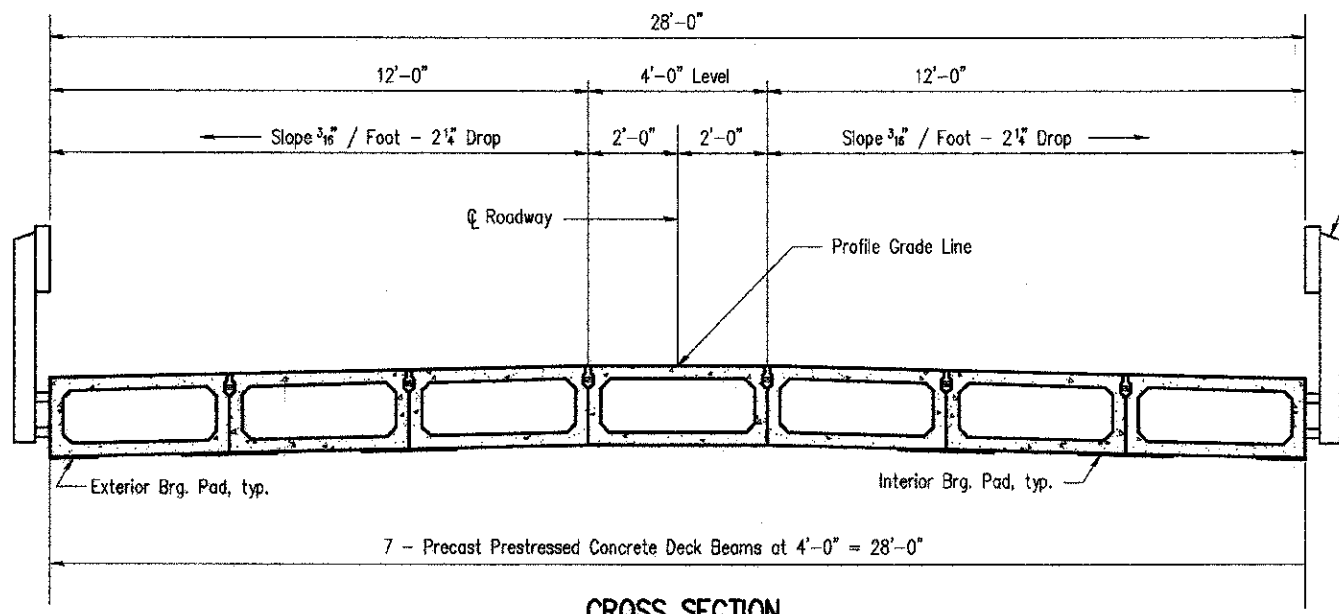


PLAN VIEW

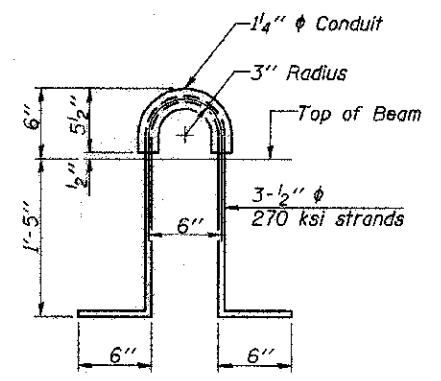
NOTES

Note: Connect beams in pairs with the transverse tie configuration shown.

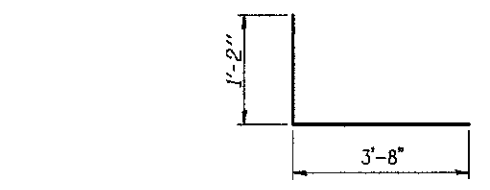
Prestressing steel shall be uncoated high strength, low relaxation 7-wire strand, Grade 270. The nominal diameter shall be 1/2" and the nominal cross-sectional area shall be 0.153 sq. in. The 1" rods in the transverse tie assembly shall be tightened to a snug fit and the threads set. Pockets on exterior faces of bridge shall be filled with grout after transverse tie assembly is in place.
Reinforcement bars shall conform to ASTM A 706, Grade 60.
Two 3/8" fabric adjusting shims of the dimensions of the exterior bearing pad shall be provided for each bearing pad location.
A minimum 2 1/2" diameter lifting pin shall be used to engage the lifting loops during handling.
Corrosion inhibitor, per Article 1020.05(b)(12) and 1021.06 of the Standard Specifications, shall be used in the concrete for precast prestressed concrete deck beams.
Compressive strength of prestressed concrete, f'c, shall be 6000 psi.
Compressive strength of prestressed concrete at release, f'ci, shall be 5000 psi.



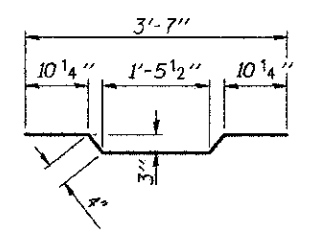
CROSS SECTION



LIFTING LOOP DETAIL



BAR S₄(E)



BAR A₁(E)

BILL OF MATERIAL

Precast Prestressed Conc. Deck Bms. (21" depth)	Sq. Ft.	1393
---	---------	------

21" X 48" PPC DECK BEAM DETAILS

CHARLESTON ENGINEERING, INC.
CONSULTING ENGINEERS
105 NORTH KITCHELL
P.O. BOX 297
CLNEY, ILLINOIS 62450
(618) 292-1739
ILLINOIS DEPARTMENT OF PROFESSIONAL REGULATION REGISTRATION #184.005112

SUPERSTRUCTURE DETAILS

STRUCTURE NO. 051-3300
T.R. 87
OVER ALLISON DITCH #1
SECTION 11-09113-00-BR
LAWRENCE COUNTY
STATION 4+00.00