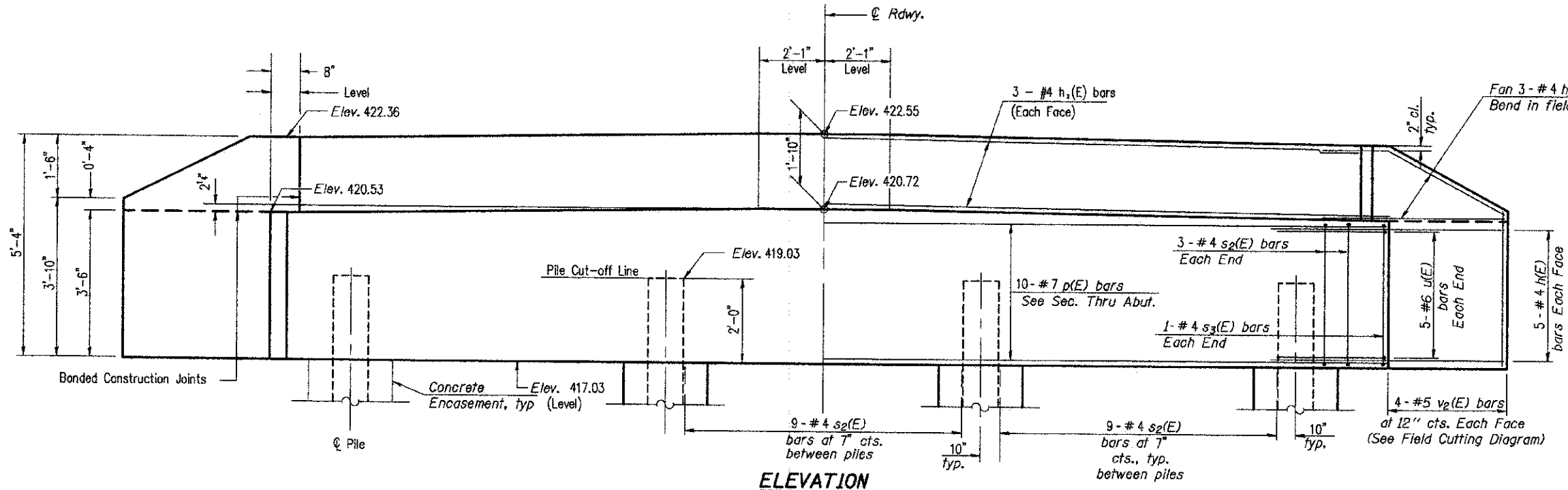
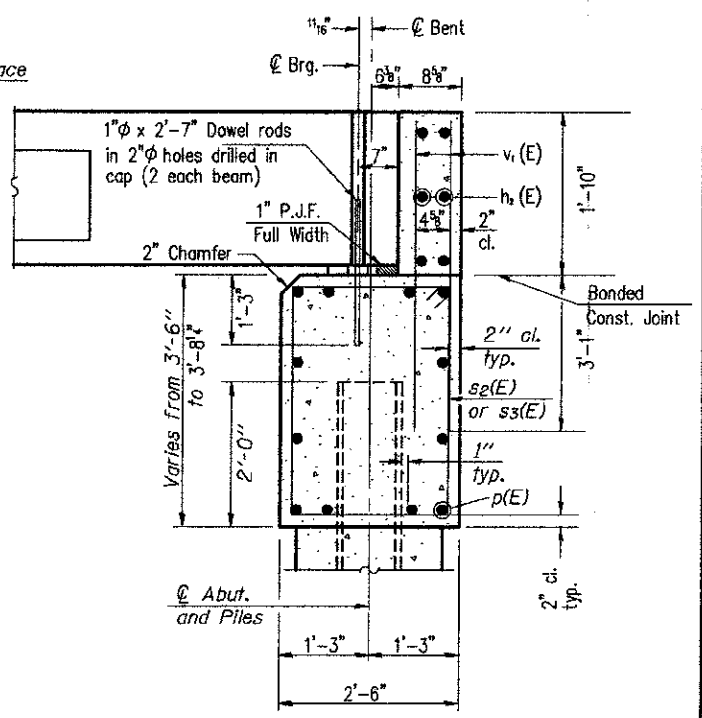


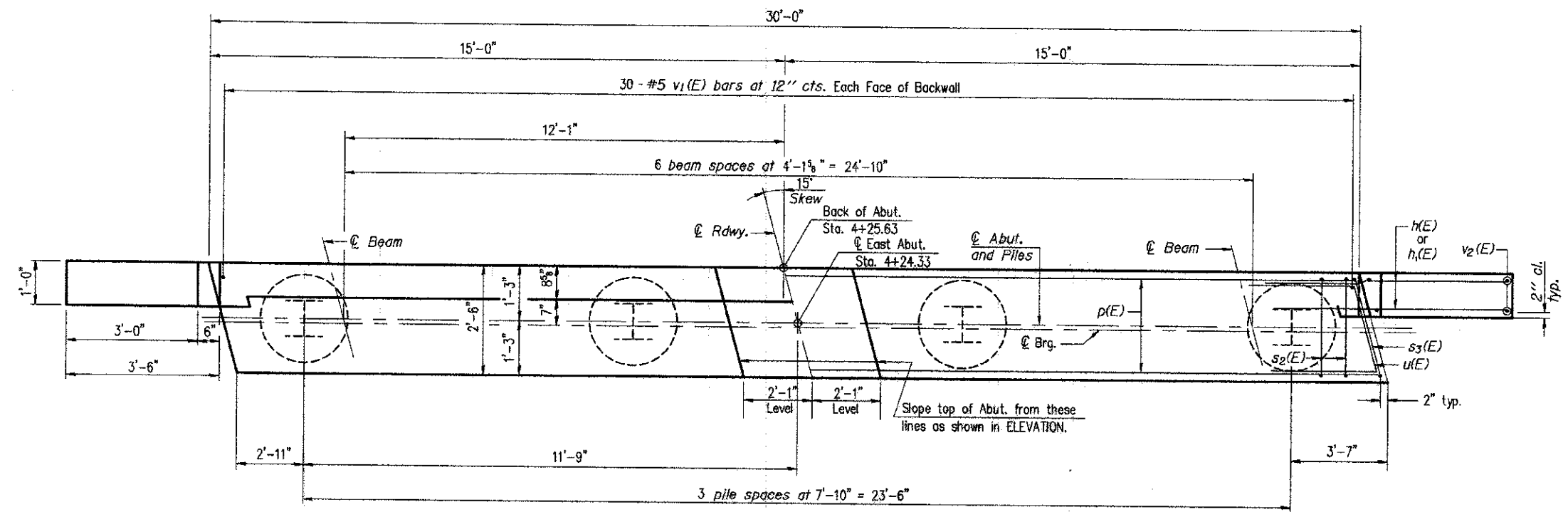
ROUTE	SECTION	COUNTY	TOTAL SHEETS	SHEET NO.
T.R. 87	11-09113-00-BR	LAWRENCE	15	10
CONTRACT NO. 95693		ILLINOIS	PROJECT BROS-0101(045)	



ELEVATION



SEC. THRU ABUT.
(At Right Angles)



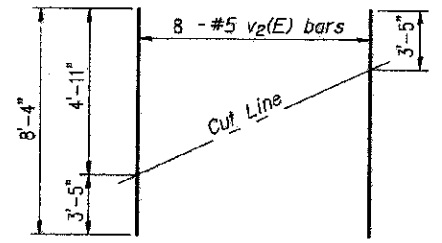
PLAN

BILL OF MATERIAL

Bar	No.	Size	Length	Shape
$h_1(E)$	20	#4	5'-0"	▬
$h_2(E)$	12	#4	5'-3"	▬
$h_3(E)$	6	#4	29'-8"	▬
$p(E)$	12	#7	29'-8"	▬
$s_2(E)$	33	#4	11'-5"	□
$s_3(E)$	2	#4	11'-7"	□
$u(E)$	10	#6	11'-3"	┘
$v_1(E)$	60	#5	4'-11"	▬
$v_2(E)$	8	#5	8'-4"	▬
Concrete Structures		Cu. Yd.	12.8	
Reinforcement Bars, Epoxy Coated		Pound	1773	
Furnishing Steel Piles HP 10 X 42		Foot	48	
Setting Piles in Rock		Each	4	
Concrete Encasement		Cu. Yd.	1.7	

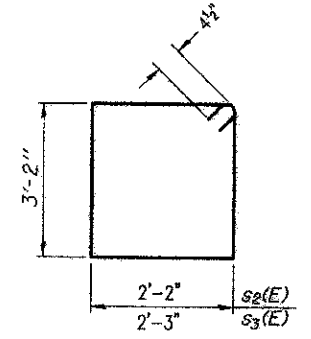
PILE DATA

Type: HP 10 X 42
 Nominal Required Bearing: 331 kips
 Factored Resistance Available: 182 kips
 Est. Length: 12 Feet
 No. Production Piles: 4

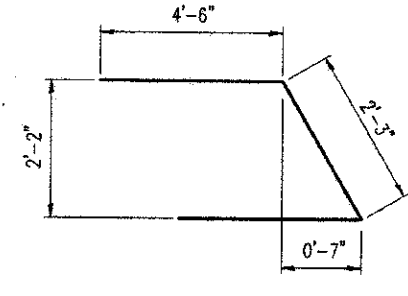


FIELD CUTTING DIAGRAM

Order $v_2(E)$ full length. Cut as shown and use remainder of bars in opposite face.



BARS $s_2(E)$ & $s_3(E)$



BAR $u(E)$

Note: 1. The Backwall and the portion of the Wingwalls above the bonded construction joint shall be cast against the in-place beam.

For details of piles and Concrete Encasement, see sheet 11 of 15.

CHARLESTON ENGINEERING, INC.
 CONSULTING ENGINEERS
 105 NORTH KITCHELL
 P.O. BOX 397
 CLINEY, ILLINOIS 62450
 (618) 392-0736
ILLINOIS DEPARTMENT OF PROFESSIONAL REGULATION REGISTRATION #184-002313

EAST ABUTMENT DETAILS

STRUCTURE NO. 051-3300
T.R. 87

OVER ALLISON DITCH #1
SECTION 11-09113-00-BR
LAWRENCE COUNTY

STATION 4+00.00