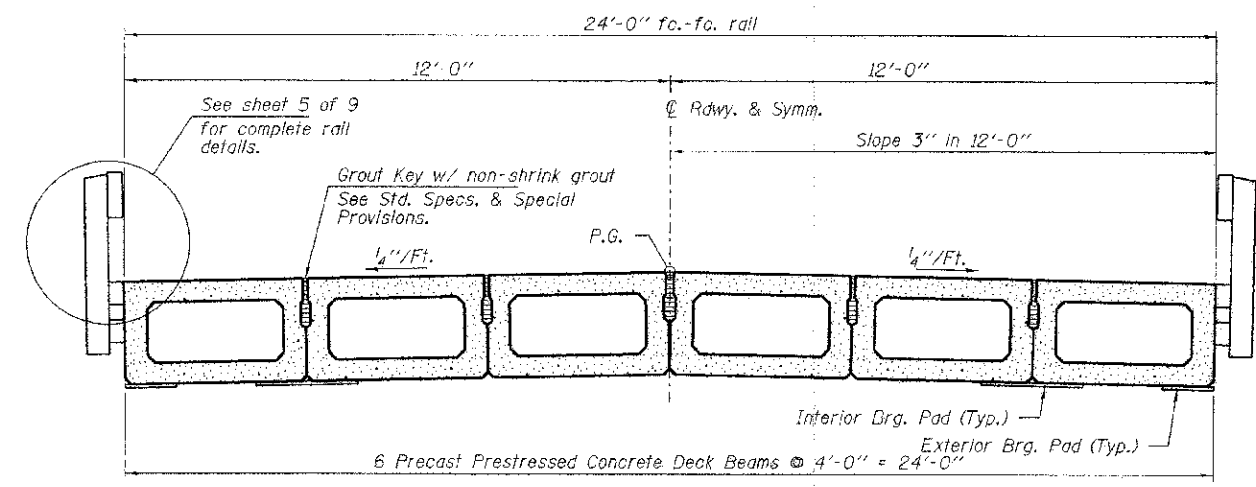
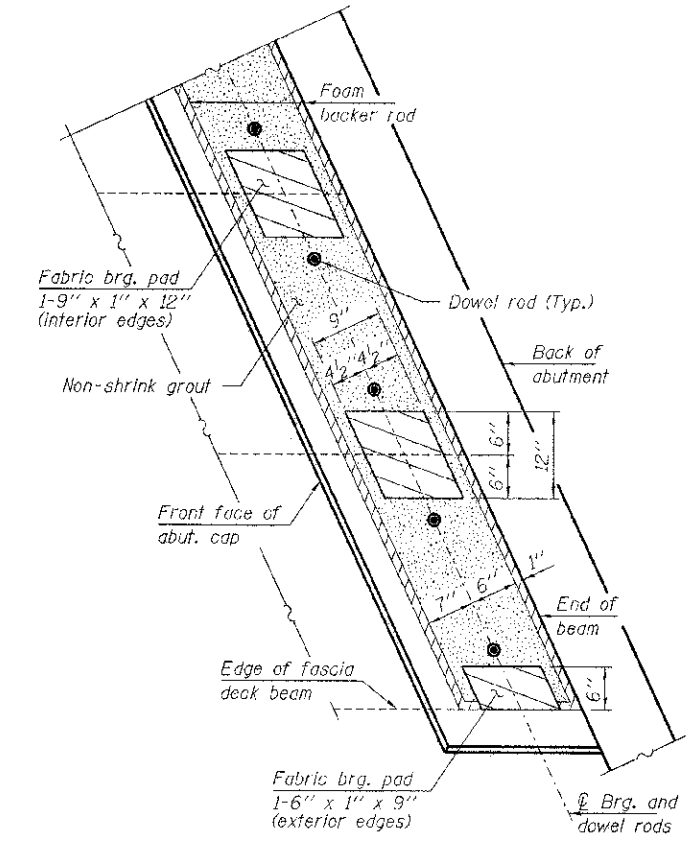


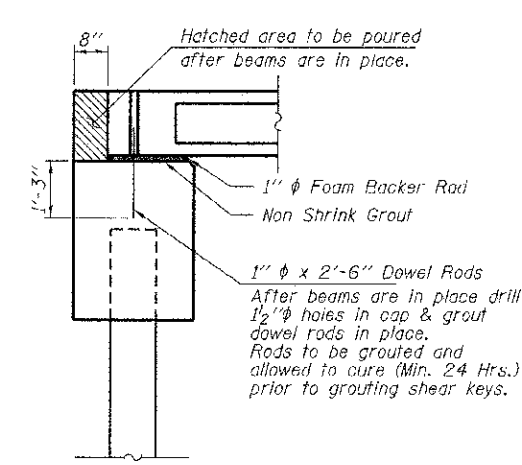
ELEVATION
Showing Rail Post Spacing
See sheet 5 of 9 for Rolling Details.



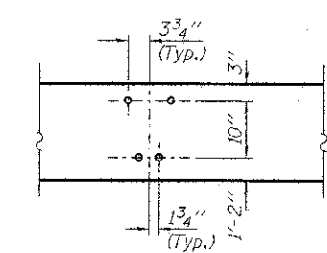
CROSS SECTION
See sheets 2 & 3 of 9 for Superstructure.



PLAN



SECTION AT ABUTMENTS
© R.L.'s



DETAIL A

Notes:
The bearing seat surfaces shall be adjusted by shimming the bearing to assure firm and even bearing prior to placement of grout. 2-¹/₈" fabric adjusting shims of the dimensions of the exterior bearing pad shown shall be provided for each bearing.

FILE NAME = 110294-ahb-bridge.dgn	USER NAME =	DESIGNED - D.W.T.	REVISED -	STATE OF ILLINOIS WAYNE COUNTY HIGHWAY DEPARTMENT	SUPERSTRUCTURE DETAILS STRUCTURE NO. 096-3457	T.R.	SECTION	COUNTY	TOTAL SHEETS	SHEET NO.	
HAMPTON, LENZINI AND RENWICK, INC. 3005 STEVENSON DRIVE, SUITE 301 SPRINGFIELD, ILLINOIS 62761	PLCT SCALE =	CHECKED - S.W.M.	REVISED -			493	06-15142-00-BR	WAYNE	13	8	
HLR ILLINOIS PROFESSIONAL DESIGN FIRM 1817 W. 116th St. Chicago, IL 60658	PLCT DATE = 11/9/2012	DRAWN - D.A.B.	REVISED -			LEECH ROAD DISTRICT					
		CHECKED - S.W.M.	REVISED -			CONTRACT NO. 95695					
						SHEET NO. 4 OF 9 SHEETS					