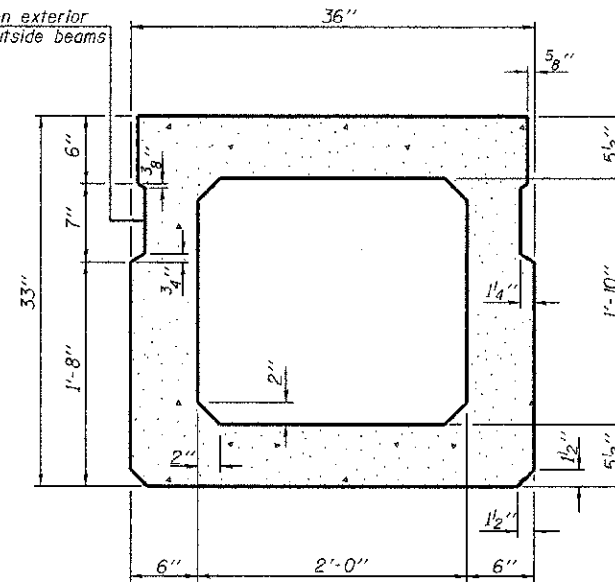
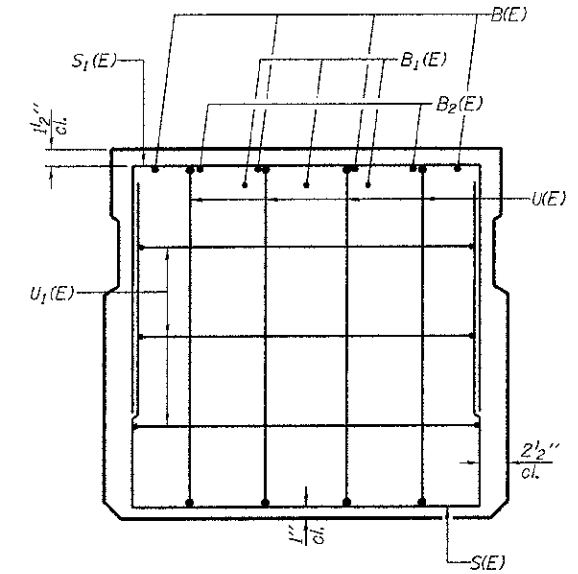


SECTION A-A

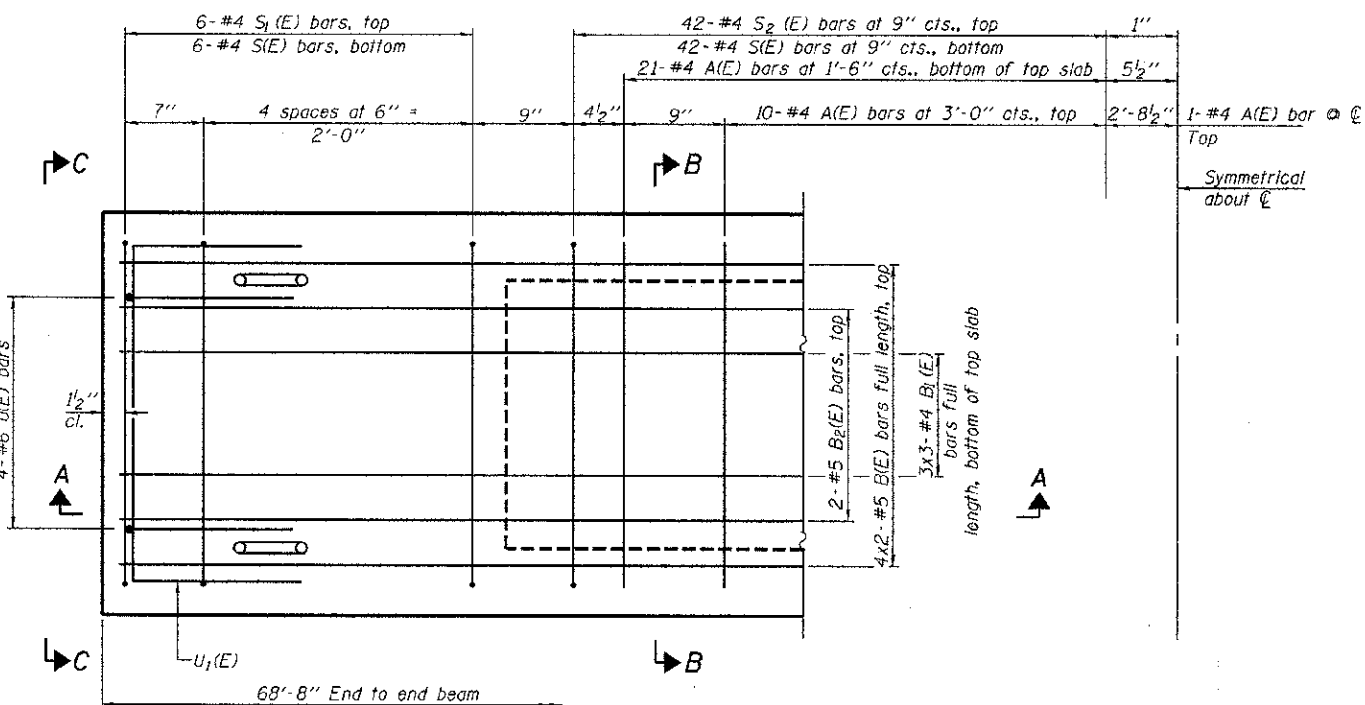
Omit key on exterior face of outside beams



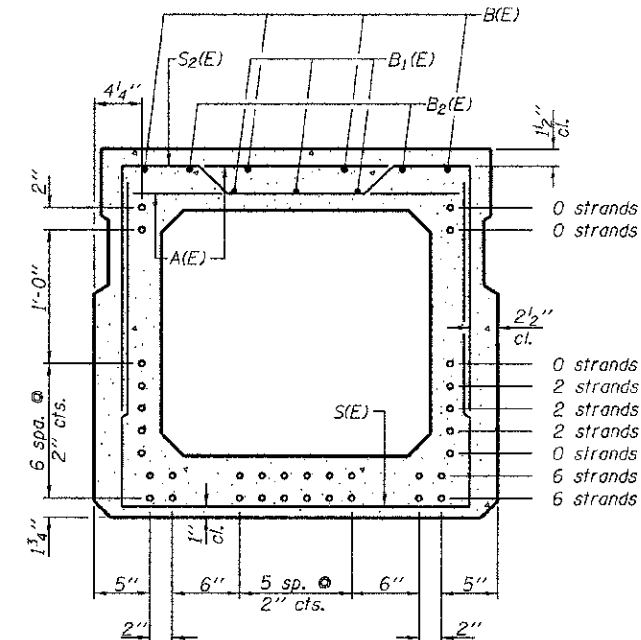
SECTION B-B
(Showing dimensions)



VIEW C-C



PLAN VIEW



SECTION B-B

(Showing reinforcement and permissible strand locations)

Note: Place the number of strands specified in each row symmetrically about the centerline of beam in the permissible strand locations shown.

BAR LIST
ONE BEAM ONLY
(For information only)

Bar	No.	Size	Length	Shape
A(E)	63	#4	2'-7"	—
B(E)	8	#5	35'-5"	—
B1(E)	9	#4	24'-2"	—
B2(E)	4	#5	10'-0"	—
S(E)	96	#4	7'-5"	⌊
S1(E)	12	#4	6'-3"	⌊
S2(E)	84	#4	6'-6"	⌊
U(E)	8	#6	5'-0"	⌊
U1(E)	6	#4	5'-0"	⌊

Note: See sheet 3 of 9 for additional details and Bill of Material.

Notes:
Spacing of S(E) and S₁(E) bars may be adjusted up to 4" in the immediate area of the transverse tie diaphragms to miss the block outs for the transverse ties.
Bars indicated thus 4x2-#5 etc. indicates 4 lines of bars with 2 lengths per line.

MINIMUM BAR LAP

#4 bar = 2'-0"
#5 bar = 2'-6"

PD-3336-0

7-1-10

FILE NAME = #FILE#	USER NAME =	DESIGNED - D.W.T.	REVISED -
HAMPTON, LENZINI AND RENWICK, INC. 505 STEVENSON DRIVE, SUITE 201 SPRINGFIELD, ILLINOIS 62761		CHECKED - S.W.M.	REVISED -
PLLOT SCALE =		DRAWN - R.D.H.	REVISED -
PLLOT DATE = #DATE#		CHECKED - D.A.B.	REVISED -

STATE OF ILLINOIS
RICHLAND COUNTY HIGHWAY DEPARTMENT

33" x 36" PPC DECK BEAM
STRUCTURE NO. 080-3221

F.A.S.	SECTION	COUNTY	TOTAL SHEETS	SHEET NO.
1722	11-00118-00-BR	RICHLAND	16	6
			CONTRACT NO. 95705	

SHEET NO. 2 OF 9 SHEETS

ILLINOIS FED. AID PROJECT