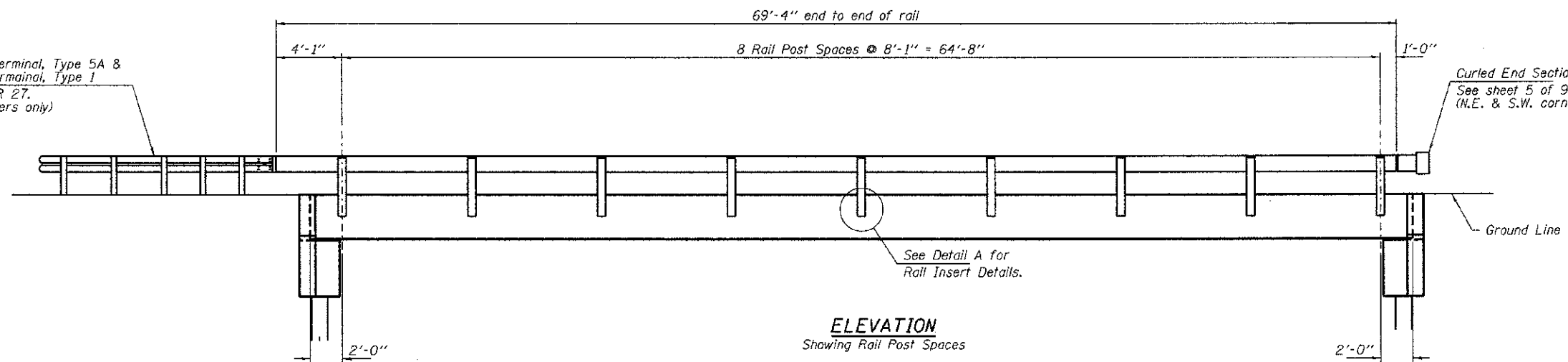


Traffic Barrier Terminal, Type 5A &
Traffic Barrier Terminal, Type 1
See Standard BLR 27.
(N.W. & S.E. corners only)

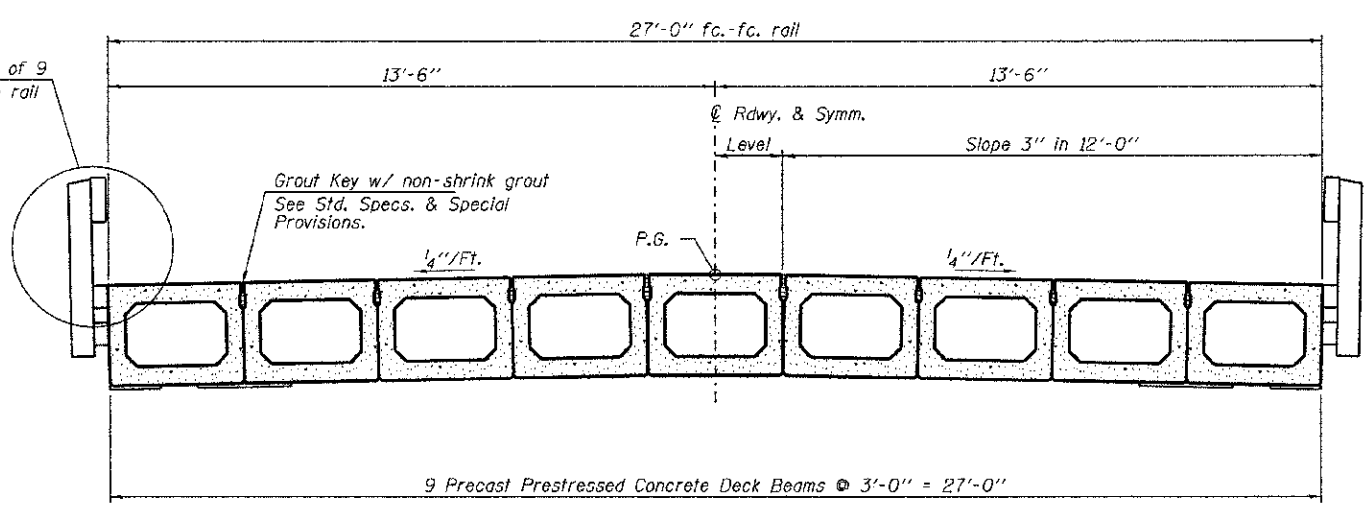


Curled End Sections
See sheet 5 of 9 for details.
(N.E. & S.W. corners only)

ELEVATION

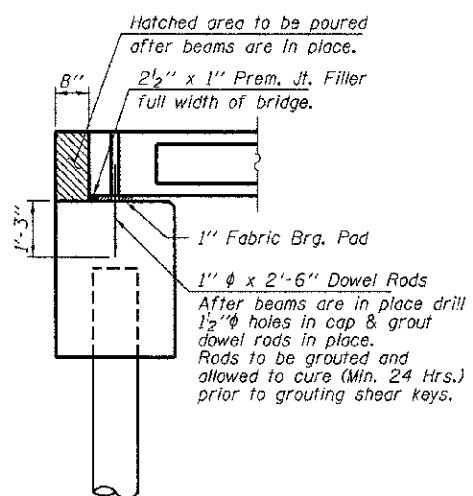
Showing Rail Post Spacing
See sheet 5 of 9 for Railing Details.

See sheet 5 of 9
for complete rail
details.



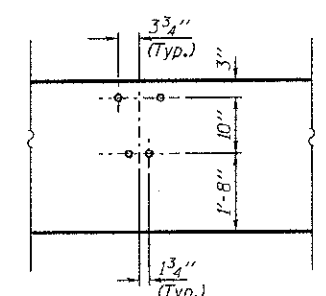
CROSS SECTION

See sheets 2 & 3 of 9 for Superstructure.



SECTION AT ABUTMENTS

@ R/L's



DETAIL A

FILE NAME = #FILE#	USER NAME =	DESIGNED - D.W.T.	REVISED -	STATE OF ILLINOIS RICHLAND COUNTY HIGHWAY DEPARTMENT	SUPERSTRUCTURE DETAILS STRUCTURE NO. 080-3221	F.A.S. SECTION	COUNTY	TOTAL SHEETS	SHEET NO.	
HAMPTON, LENZINI AND RENWICK, INC. 1505 STEVENSON AVENUE, SUITE 400 SPRINGFIELD, ILLINOIS 62705		CHECKED - S.W.M.	REVISED -			1722	11-00118-00-BR	RICHLAND	16	8
ILLINOIS PROFESSIONAL DESIGN FIRM L51-102132 CORP. 194005018	PILOT SCALE =	DRAWN - R.D.H.	REVISED -			CONTRACT NO. 95705				
	PILOT DATE = #DATE#	CHECKED - D.A.B.	REVISED -			ILLINOIS FED. AID PROJECT				
						SHEET NO. 4 OF 9 SHEETS				