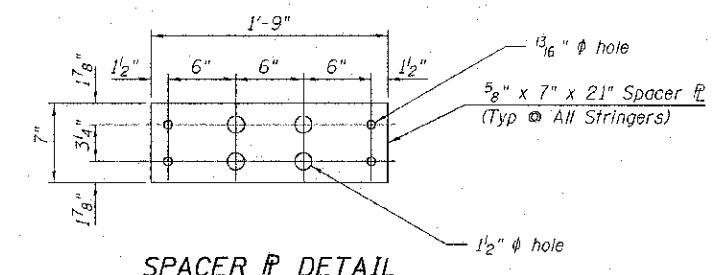
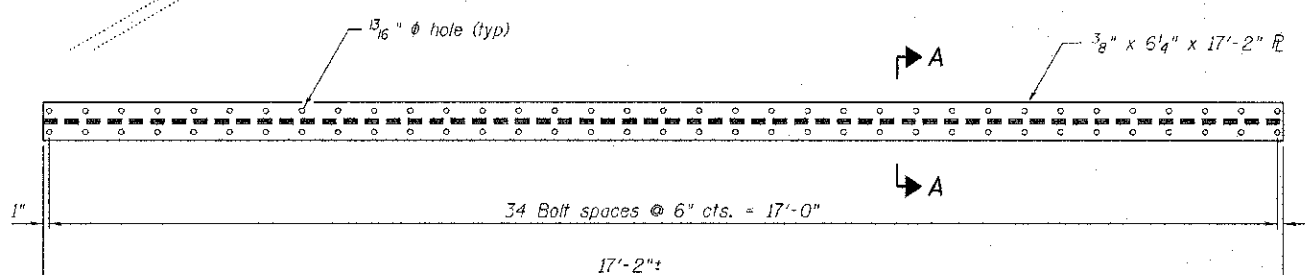


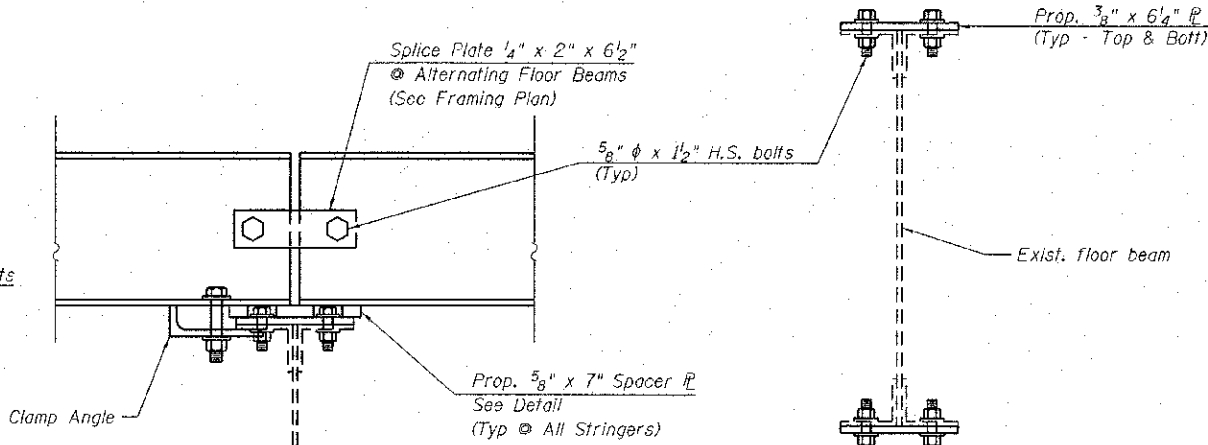
FRAMING PLAN



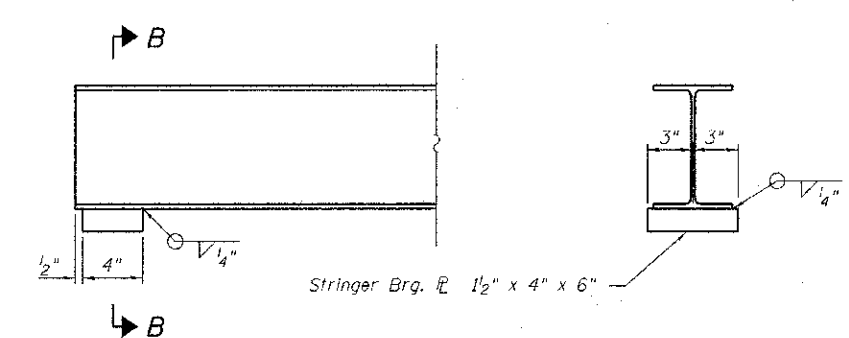
SPACER PLATE DETAIL



FLOOR BEAM PLAN

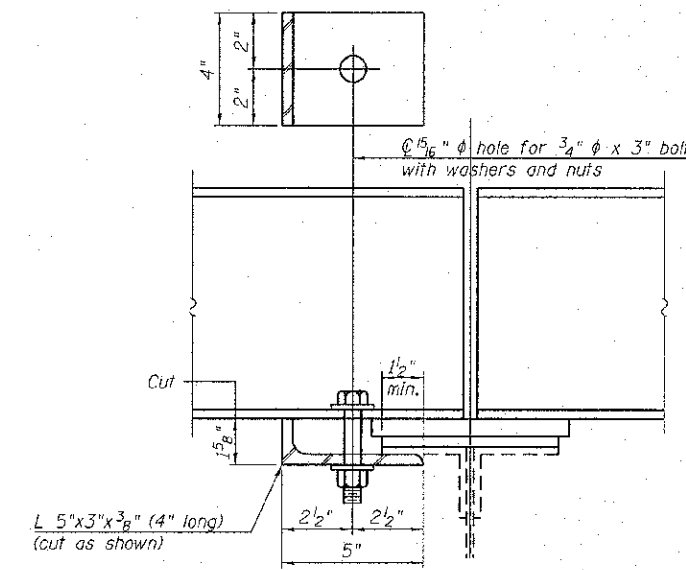


DETAIL A



STEEL STRINGER ELEVATION

SECTION B-B



CLAMP ANGLE

(56 Required)

SECTION A-A
(Floor Beam Strengthening)

BILL OF MATERIAL

ITEM	UNIT	TOTAL
Furnishing & Erecting Structural Steel	Pound	24,060
Structural Steel Removal	Pound	17,910

Notes:
All steel shall be AASHTO M270, Grade 50W.

FILE NAME = 0403084-xxxx-088-Frame Plan.dgn
 MODEL = Defaults
 PLOT DRIVER = V8.IJDT.PDF-11x17.plt



USER NAME = S.Dulekts	DESIGNED -	REVISED
FILE NAME = 0403084-xxxx-088-Frame Plan	CHECKED -	REVISED
PLOT SCALE = 200.0000 1' = 1/4"	DRAWN -	REVISED
PLOT DATE = 4/11/2013	CHECKED -	REVISED

STATE OF ILLINOIS
DEPARTMENT OF TRANSPORTATION

STEEL FRAMING PLAN
STRUCTURE NO. 040-3084

SHEET NO. 8 OF 16 SHEETS

TR	SECTION	COUNTY	TOTAL SHEETS	SHEET NO.
164	10-00045-00-BT	JASPER	46	23
CONTRACT NO.				
ILLINOIS FED. AID PROJECT				