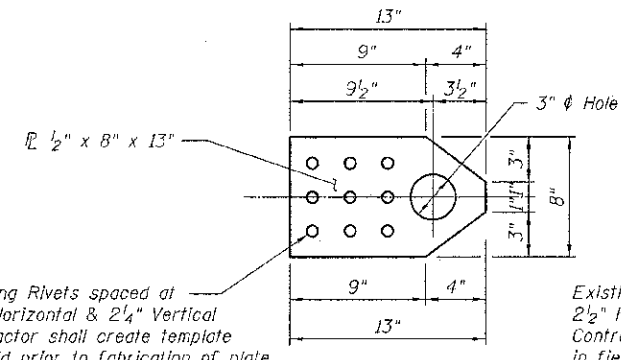
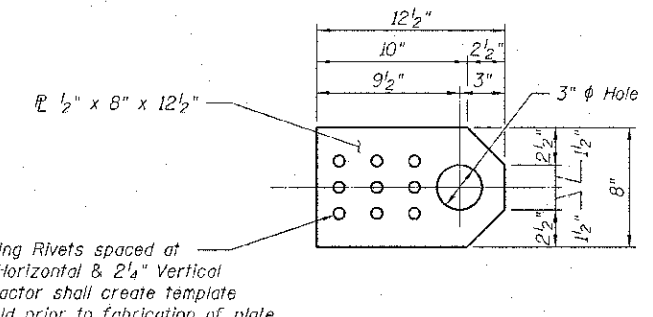


SECTION B-B

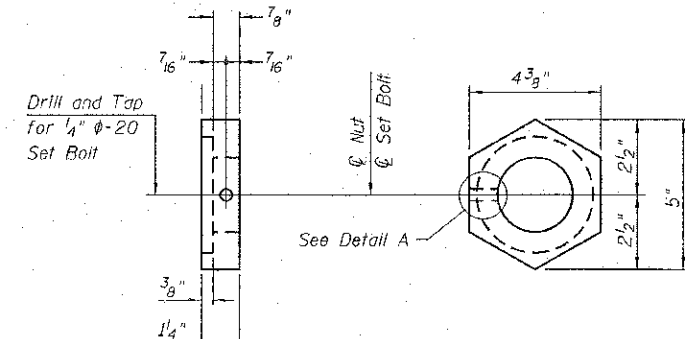
Temporary bracing shall be installed prior to removal of rivets. Temporary bracing shall hold truss in position during repairs. Cost included in FURNISHING & ERECTING STRUCTURAL STEEL.



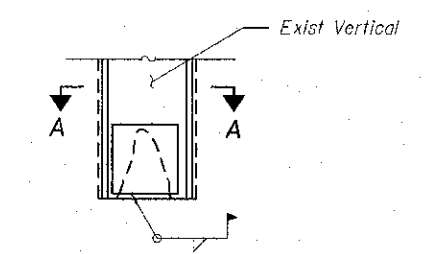
END POST PLATE  
(16 Required - 4 Per Joint - U<sub>1</sub> & U<sub>8</sub>)



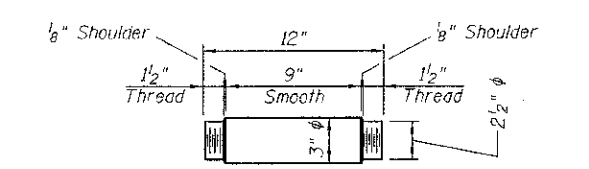
BEARING PIN PLATE  
(8 Required - 2 Per Bearing - L<sub>0</sub> & L<sub>9</sub>)



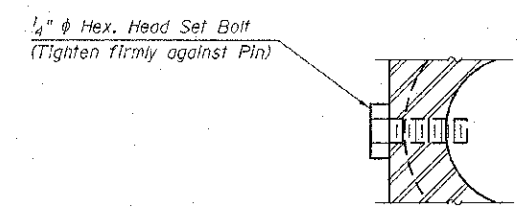
EXTERIOR NUT DETAIL



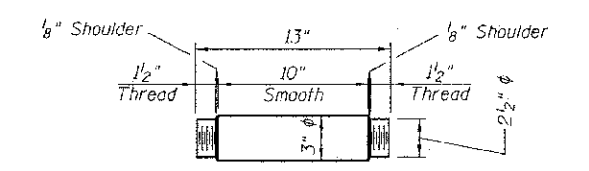
STEEL REPAIR  
(At Lower Pin Connection)



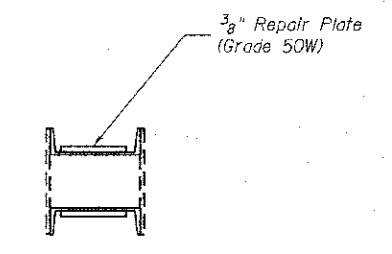
REPLACEMENT PIN AT BEARING, L<sub>1</sub> & L<sub>8</sub>  
(8 Req'd - L<sub>0</sub>, L<sub>1</sub>, L<sub>8</sub>, & L<sub>9</sub>)



DETAIL A  
(Set Bolts shall conform to the requirements of ASTM A 307 and shall be galvanized according to AASHTO M 232)



REPLACEMENT PIN TOP END POST  
(4 Req'd - U<sub>1</sub> & U<sub>8</sub>)



SECTION A-A

Notes

- Steel for Pin Plates shall conform to AASHTO M270, Grade 50W.
- Bolts for Pin Plates shall conform to ASTM A325, Type 3.
- Pins shall conform to ASTM A276, UNS 21800 (Nitronic 60 or equal), 12 threads per inch.
- Pins and Pin Plates shall conform to the minimum Charpy V-notch toughness of 25 ft-lbs at 40 degrees F.
- Pin Nuts shall be ASTM A76, Grade 12L14, Minimum Yield of 36 ksi. Tighten nuts to bring into firm contact with outside steel, back off nut 1/4 turn, and tighten set screw.
- Pin Plates, pins, nuts, bolts, and associated hardware shall be included in FURNISHING & ERECTING STRUCTURAL STEEL.
- Removal of existing rivets shall be included in RIVET REMOVAL & REPLACEMENT.
- Removal of existing steel pins and associated plates and hardware shall be included in STRUCTURAL STEEL REMOVAL.

BILL OF MATERIAL

ITEM	UNIT	TOTAL
Furnishing & Erecting Structural Steel	Pound	1,540
Structural Steel Removal	Pound	750
Rivet Removal & Replacement	Each	216
Structural Steel Repair	Pound	100

FILE NAME = S:\P\Projects\2012\JOBS\12-36-518011\MG Newcan Blvd Path\CONCAD Sheets\040-3084-structure\Pin&PlateDetail.dgn  
MODEL = BRUCE  
PLOT DRIVER = HPGLTRV5



USER NAME = kshepman	DESIGNED -	REVISED
FILE NAME = 0403084-xxxx-010-Pin&PlateDetail.dwg	CHECKED -	REVISED
PLOT SCALE = 20:0.0000 1' = 10"	DRAWN -	REVISED
PLOT DATE = 4/11/2013	CHECKED -	REVISED

STATE OF ILLINOIS  
DEPARTMENT OF TRANSPORTATION

PIN & PIN PLATE DETAILS  
STRUCTURE NO. 040-3084  
SHEET NO. 10 OF 16 SHEETS

TR	SECTION	COUNTY	TOTAL SHEETS	SHEET NO.
164	10-00045-00-BT	JASPER	16	25
CONTRACT NO.				
ILLINOIS FED. AID PROJECT				