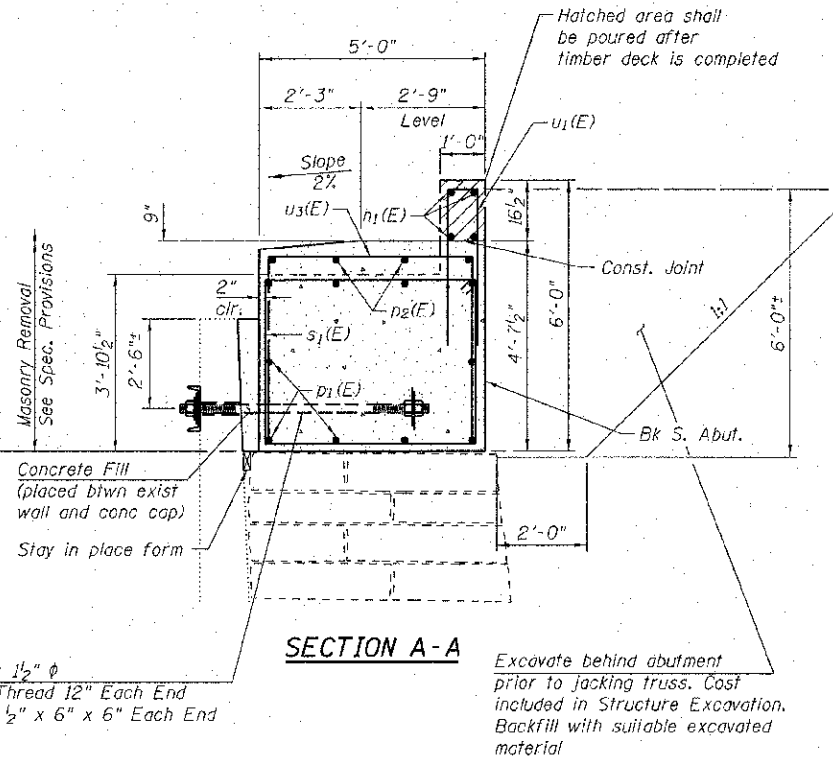


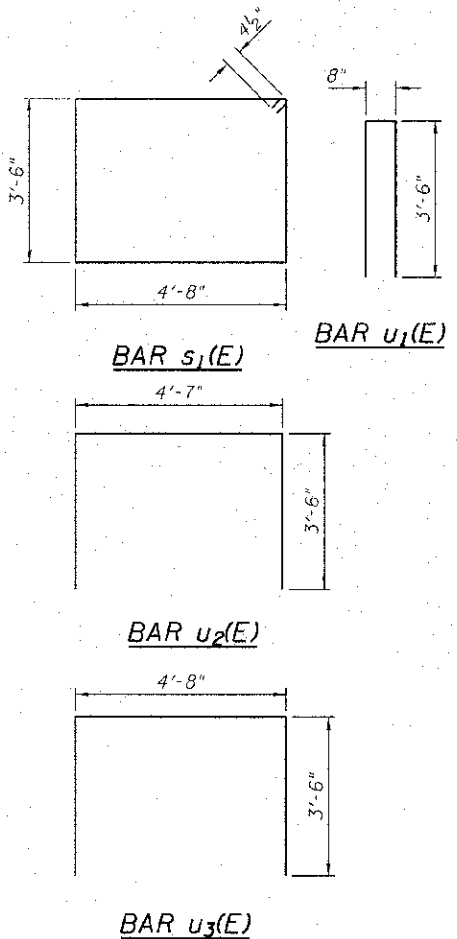
ELEVATION
(Looking South)



SECTION A-A

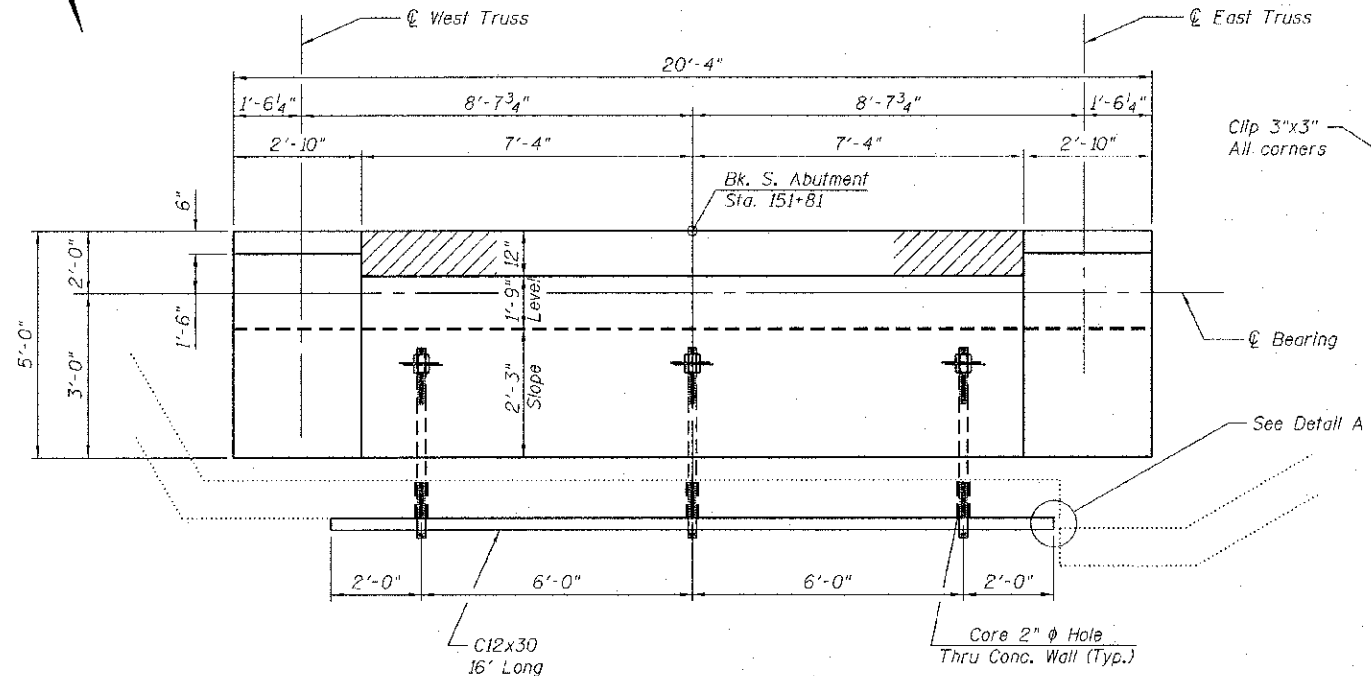
3 - Tie Rods 1/2" ϕ
6'-0" Long, Thread 12" Each End
Plate Washer 1/2" x 6" x 6" Each End
and 3 Nuts

Excavate behind abutment
prior to jacking truss. Cost
included in Structure Excavation.
Backfill with suitable excavated
material

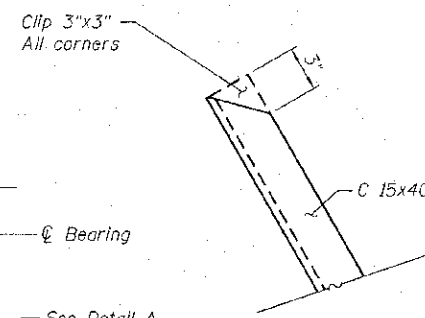


Notes

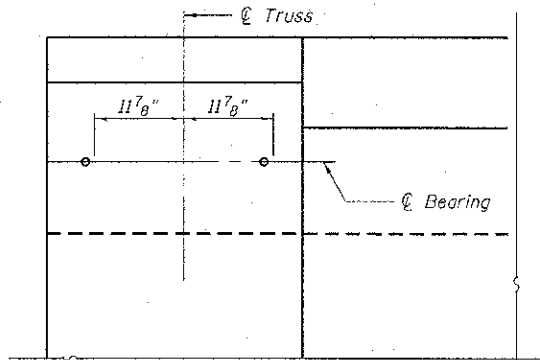
- Channels, plates, threaded tie-rods, and associated hardware shall conform to AASHTO M270, Grade 36, hot-dip galvanized.
- Coring holes in concrete wall will not be paid for separately, but shall be included in the cost of FURNISHING & ERECTING STRUCTURAL STEEL.



PLAN



DETAIL A



ANCHOR BOLT LAYOUT

BILL OF MATERIAL

Bar	No.	Size	Length	Shape
h1(E)	4	#5	14'-0"	—
h2(E)	4	#5	6'-0"	—
p1(E)	10	#7	20'-0"	—
p2(E)	4	#6	20'-0"	—
s1(E)	21	#4	17'-5"	□
u1(E)	15	#4	7'-8"	U
u2(E)	10	#6	11'-7"	U
u3(E)	15	#4	11'-8"	U
v(E)	6	#5	4'-3"	—
Structure Excavation		Cu. Yd.	23	
Concrete Structures		Cu. Yd.	18.6	
Reinforcement Bars, Epoxy Coated		Pound	1250	
Masonry Removal		Cu. Yd.	25	
Furnishing & Erecting Structural Steel		Pound	600	

FILE NAME = S:\Projects\2012\005512-06-512011-MSG-Nelson-Blue-Park\040\CADD-Struct\040-03-South-Abutment\Plan.dgn
 MODEL = MODEL5
 PLOT DRIVER = PLOTDRIVER



USER NAME = ksheppm	DESIGNED -	REVISED
FILE NAME = 0493884-xxxx-03-South-Abutment	CHECKED -	REVISED
PLOT SCALE = 20:0.0000 1' = 1/4"	DRAWN -	REVISED
PLOT DATE = 4/11/2013	CHECKED -	REVISED

STATE OF ILLINOIS
DEPARTMENT OF TRANSPORTATION

SOUTH ABUTMENT DETAILS
STRUCTURE NO. 040-3084

SHEET NO. 13 OF 16 SHEETS

TR	SECTION	COUNTY	TOTAL SHEETS	SHEET NO.
164	10-00045-00-BT	JASPER	76	28
CONTRACT NO.				
ILLINOIS FED. AID PROJECT				