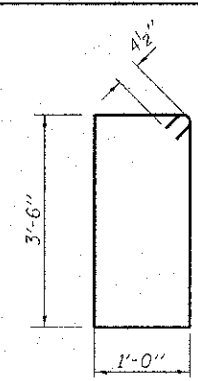
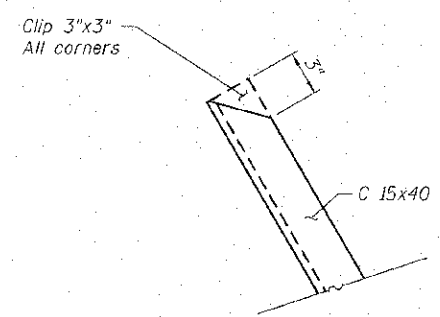
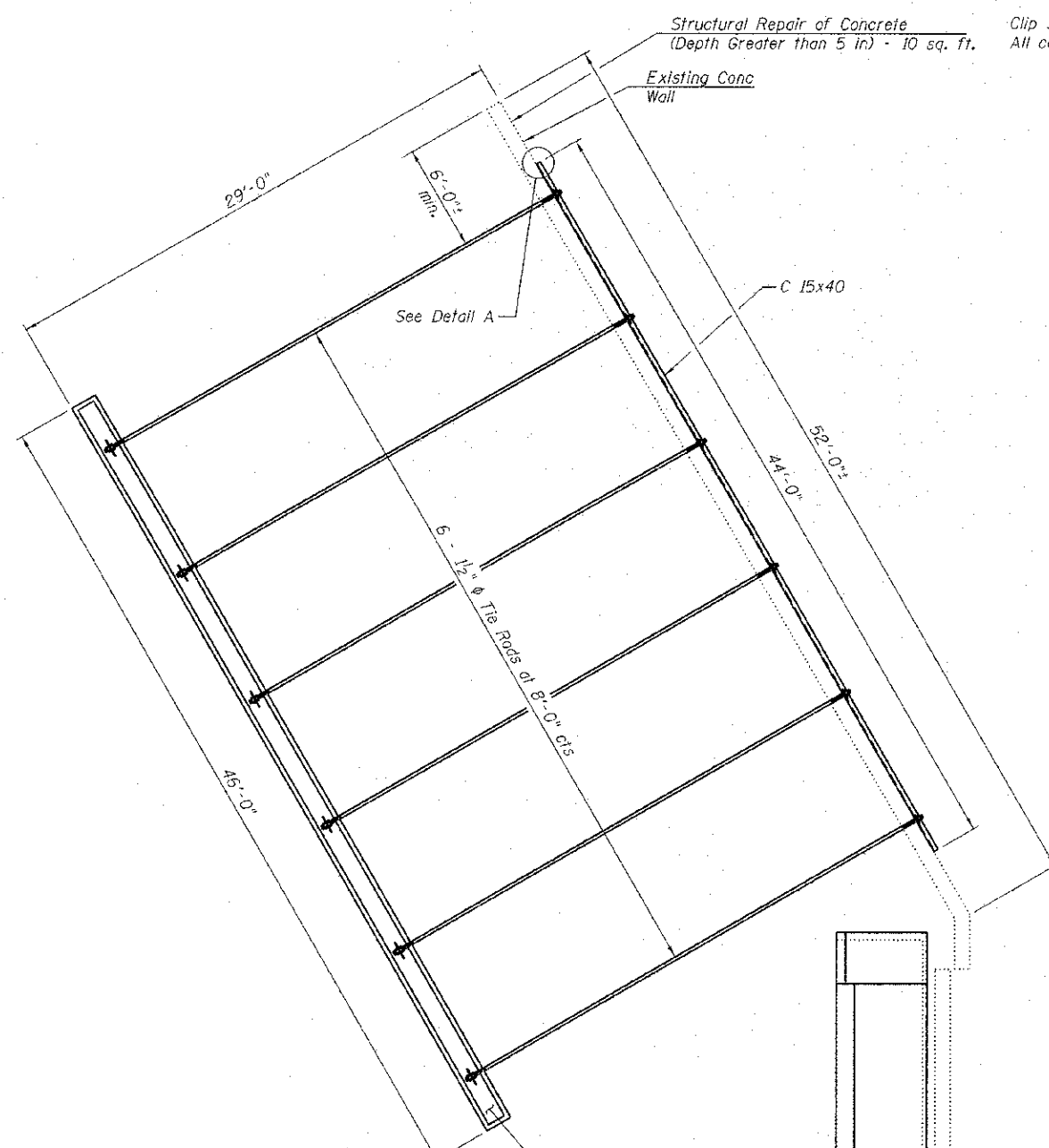


BILL OF MATERIAL

Bar	No.	Size	Length	Shape	
h3(E)	16	#6	24'-6"	—	
s2(E)	47	#4	9'-9"	□	
Furnishing & Erecting Structural Steel				Pound	3,350
Structure Excavation				Cu. Yd.	226
Concrete Structures				Cu. Yd.	10.3
Reinforcement Bars, Epoxy Coated				Pound	900
Structural Repair of Concrete (Depth Greater than 5 in)				Sq. Ft.	10

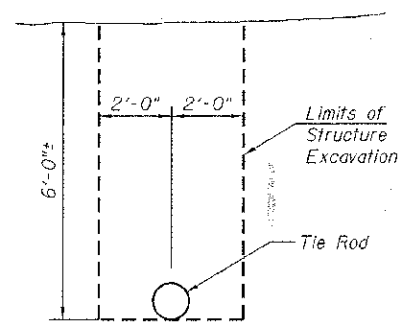


DETAIL A

BAR s(E)

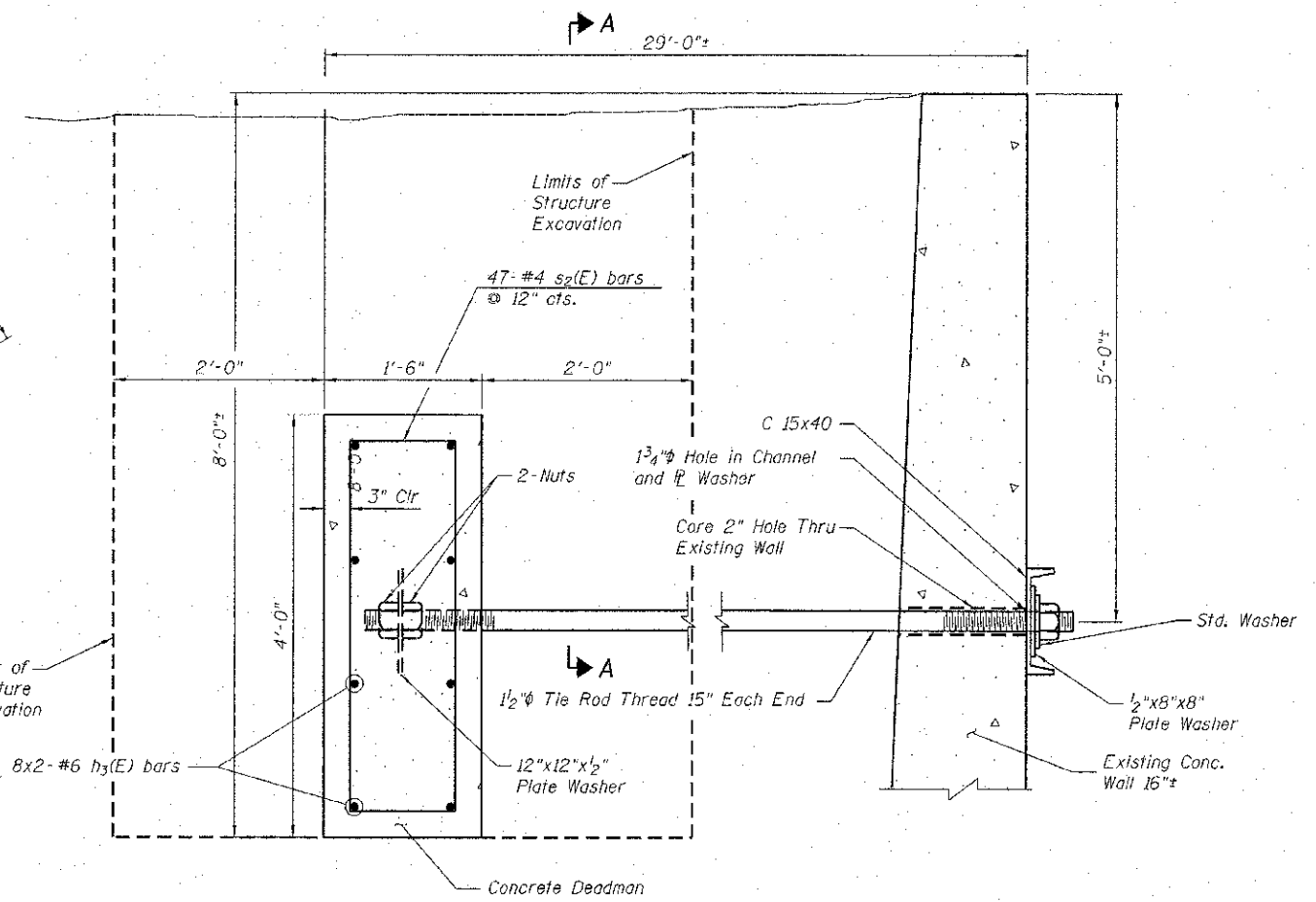
Notes

- Channels, plates, threaded tie-rods, and associated hardware shall conform to AASHTO M270, Grade 36, hot-dip galvanized.
- Excavation required for tie-rod and deadman installation shall be paid for as STRUCTURE EXCAVATION.
- Coring holes in concrete wall will not be paid for separately, but shall be included in the cost of FURNISHING & ERECTING STRUCTURAL STEEL.



SECTION A-A

DEADMAN ANCHOR PLAN VIEW



CONNECTION DETAIL AT DEADMAN

CONNECTION DETAIL AT WALL

FILE NAME = 0403084-xxxx-014-WingwallDetail.dgn
 MODEL = Default
 PLOT DRIVER = PLOT1.DWG_PDF_11x17.plt
 PLOT SCALE = 200.0000



USER NAME = S.Dulekis	DESIGNED -	REVISED
FILE NAME = 0403084-xxxx-014-WingwallDetail.dgn	CHECKED -	REVISED
PLOT SCALE = 200.0000	DRAWN -	REVISED
PLOT DATE = 4/11/2013	CHECKED -	REVISED

**STATE OF ILLINOIS
DEPARTMENT OF TRANSPORTATION**

**SOUTHWEST WINGWALL DETAILS
STRUCTURE NO. 040-3084**

SHEET NO. 14 OF 16 SHEETS

TR	SECTION	COUNTY	TOTAL SHEETS	SHEET NO.
164	10-00045-00-BT	JASPER	46	29
CONTRACT NO.			ILLINOIS FED. AID PROJECT	