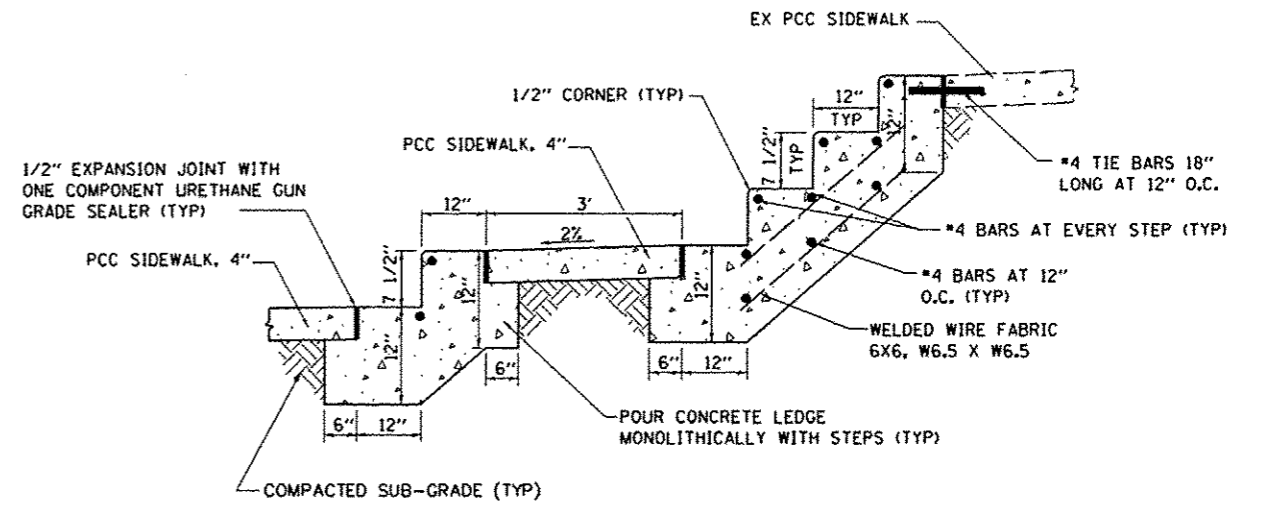


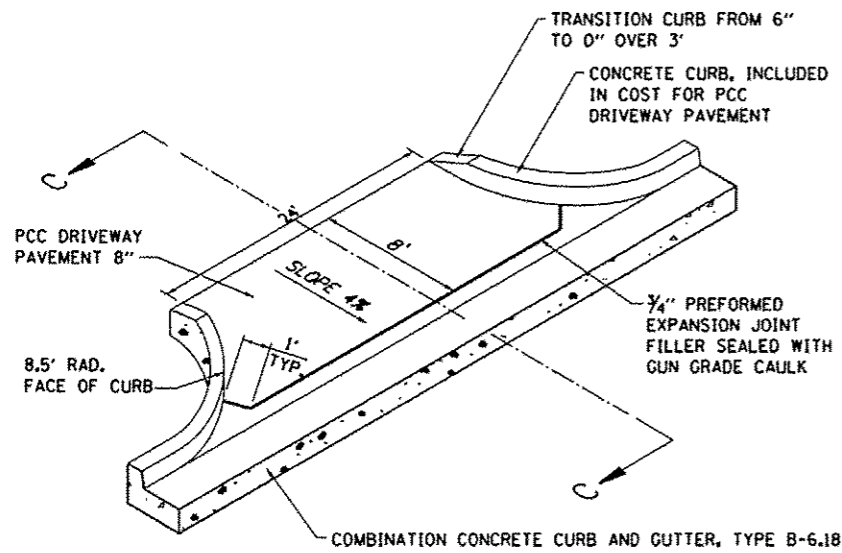
NOTE:
1. PROPOSED STEPS SHALL BE 4" WIDE.

STEP DETAIL
STA. 13+16.00 RT
(NOT TO SCALE)

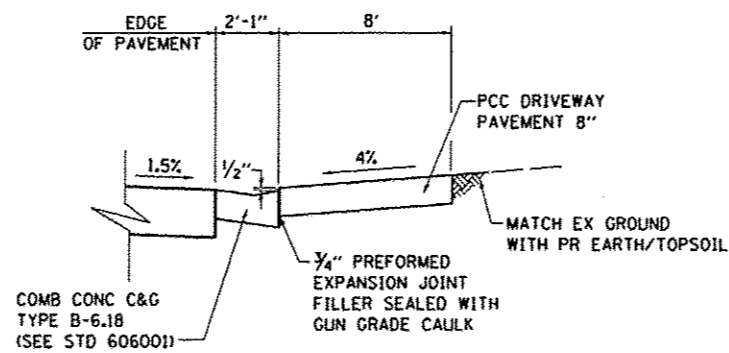


NOTE:
1. PROPOSED STEPS SHALL BE 3' WIDE.

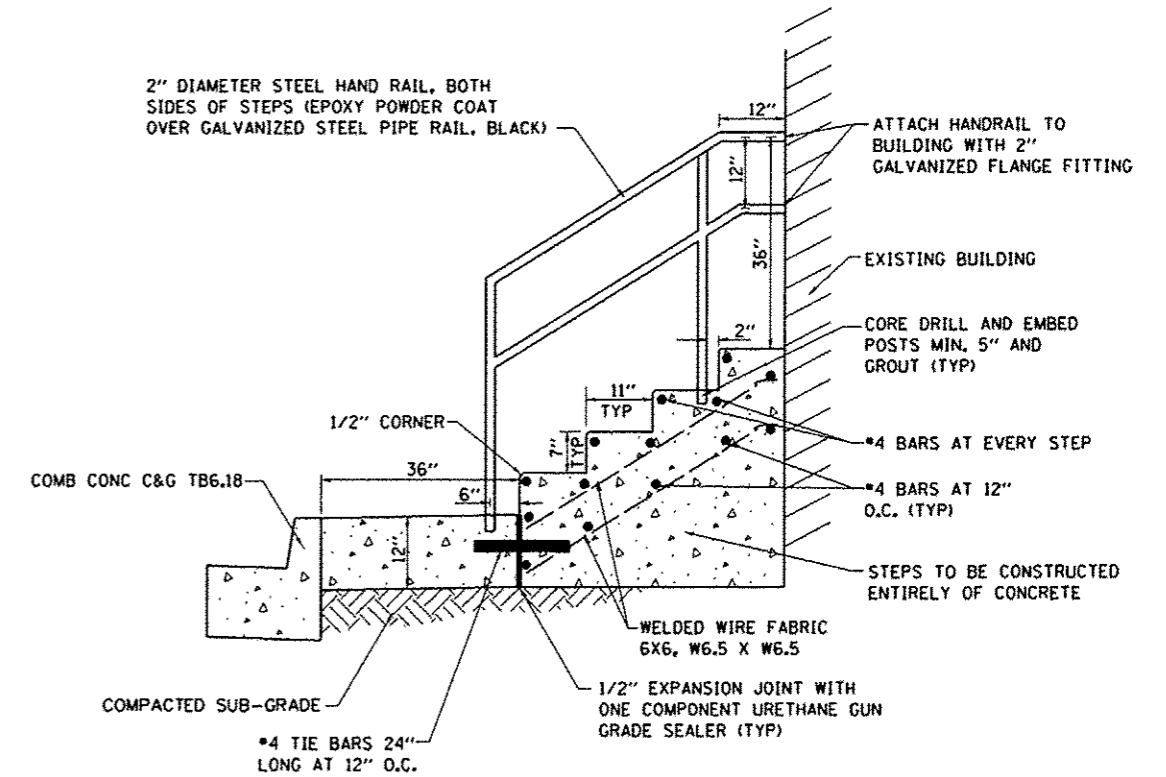
STEP DETAIL
STA. 17+76.50 RT
(NOT TO SCALE)



ENTRANCE DETAIL
(STA. 20+02.00 LT)



ENTRANCE SECTION C-C
(NOT TO SCALE)



NOTE:
1. PROPOSED STEPS SHALL BE 4" WIDE.
2. ALL TREADS AND RISERS SHALL BE UNIFORM IN HEIGHT AND DEPTH. THE TOLERANCE BETWEEN THE LARGEST AND SMALLEST SIZE SHALL NOT EXCEED 3/8".
3. PIPE HANDRAIL IS REQUIRED ON EACH SIDE OF STAIRS.
4. DIMENSIONS FOR HANDRAIL, TREADS, AND RISERS SHALL BE VERIFIED PRIOR TO CONSTRUCTION.

STEP DETAIL
STA. 10+63.66 RT
(NOT TO SCALE)

FILE NAME * 0828012-ahc-details.dgn	USER NAME * default PLOT TIME * 10:18:66 PM PLOT SCALE * 28.0000' / IN. PLOT DATE * 3/20/2013	DESIGNED - DRAWN - CHECKED - DATE -	REVISED - REVISED - REVISED - REVISED -	STATE OF ILLINOIS DEPARTMENT OF TRANSPORTATION	CONSTRUCTION DETAILS	F.A.U. RTE. 9308	SECTION 08-0046-00-PV	COUNTY MONROE	TOTAL SHEETS 37	SHEET NO. 26	CONTRACT NO. 97518	ILLINOIS FED. AID PROJECT
				SCALE: N.T.S.	SHEET 2 OF 7 SHEETS	STA.	TO STA.					