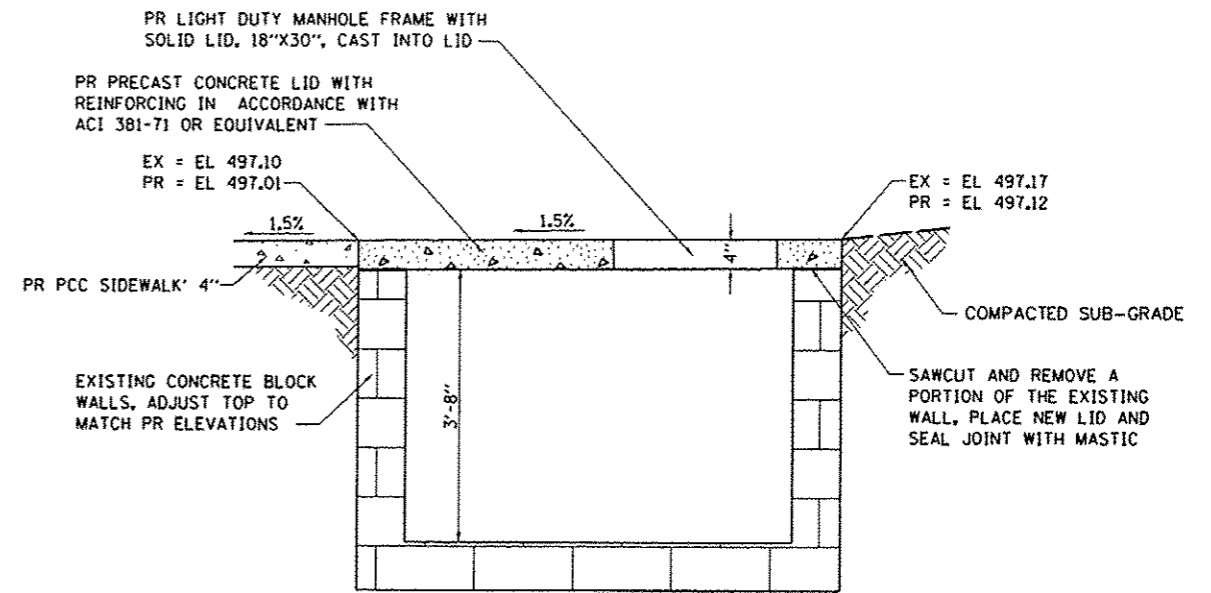


PLAN VIEW
(NOT TO SCALE)

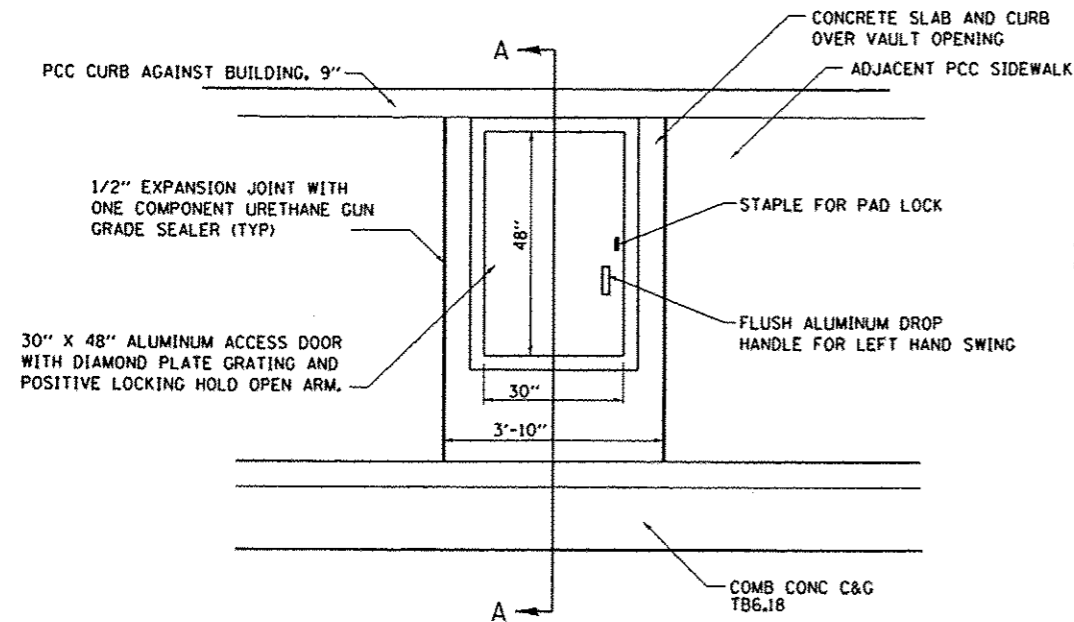
NOTE: CONTRACTOR SHALL VERIFY DIMENSIONS THE FIELD PRIOR TO ORDERING



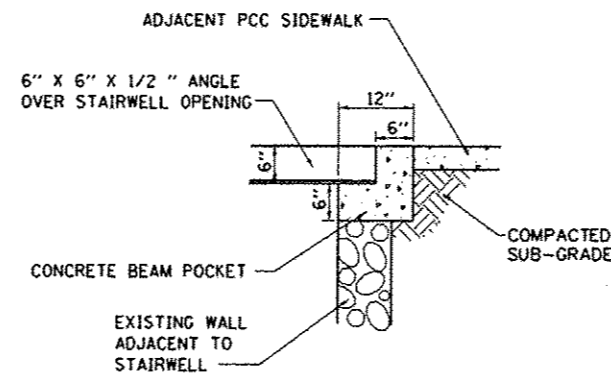
METER VAULT ADJ SECTION A-A
(NOT TO SCALE)

METER VAULT ADJ DETAIL

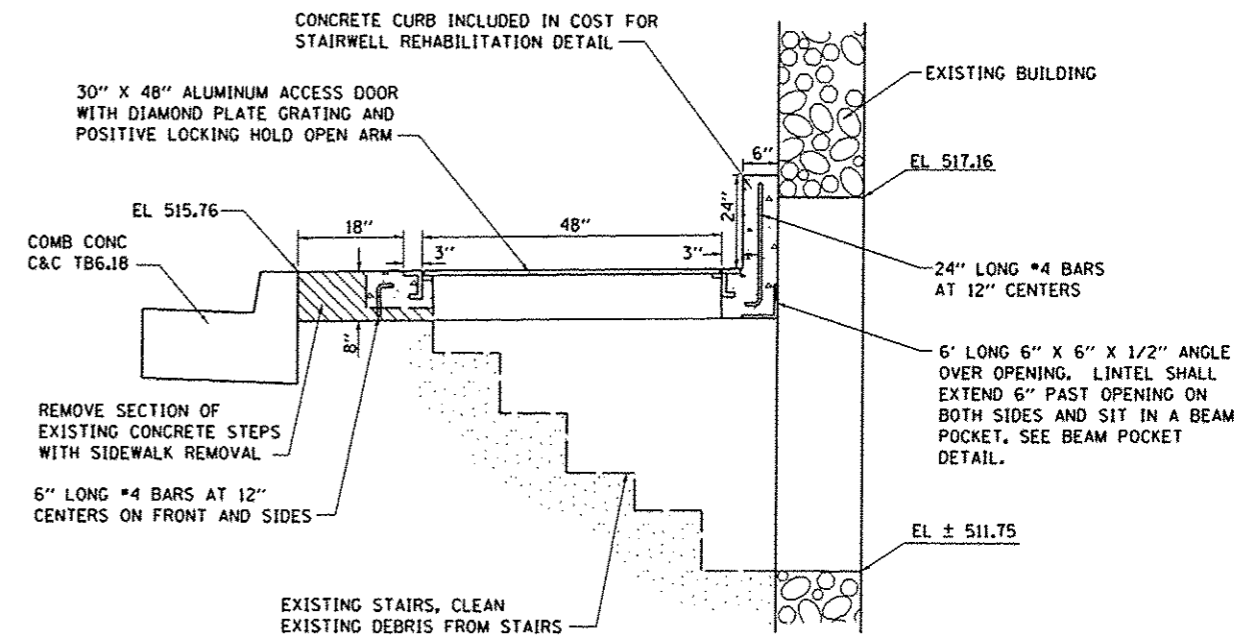
STA. 17+95.00



PLAN VIEW
(NOT TO SCALE)



BEAM POCKET DETAIL
(NOT TO SCALE)



STAIRWELL REHABILITATION SECTION A-A
(NOT TO SCALE)

STAIRWELL REHABILITATION DETAIL

STA. 10+44.32 RO.

FILE NAME * 0828012-shr-details.dgn	USER NAME * default	DESIGNED -	REVISED -	STATE OF ILLINOIS DEPARTMENT OF TRANSPORTATION	CONSTRUCTION DETAILS			F.A.U. RTE. 9308	SECTION 08-00046-00-PV	COUNTY MONROE	TOTAL SHEETS 37	SHEET NO. 27
	PLOT TIME * 9:28:53 AM	DRAWN -	REVISED -		SCALE: N.T.S.	SHEET 3	OF 7 SHEETS	STA.	TO STA.	CONTRACT NO. 97518		
	PLOT SCALE * 20.0000' / IN.	CHECKED -	REVISED -		[ILLINOIS] FED. AID PROJECT							
	PLOT DATE * 3/19/2013	DATE -	REVISED -									