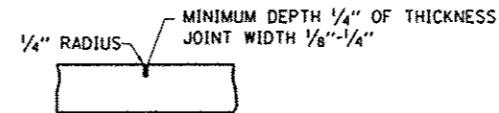
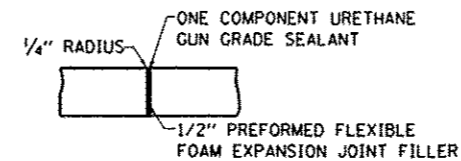


- NOTE:
1. PARKING BLOCKS SHALL BE MADE OF RECYCLED PLASTIC AND FILLED WITH CONCRETE.
 2. PARKING BLOCKS TO BE ANCHORED WITH 5/8" X 24" IRON PINS (2 EACH) DRILLED INTO THE PAVEMENT & FIT SNUG AS TO NOT RACK WHEN SHOVED.
 3. PARKING BLOCKS SHALL BE YELLOW IN COLOR.

PARKING BLOCK DETAILS
(NOT TO SCALE)

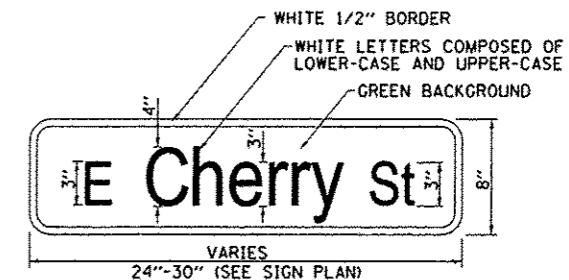


CONTRACTION JOINT

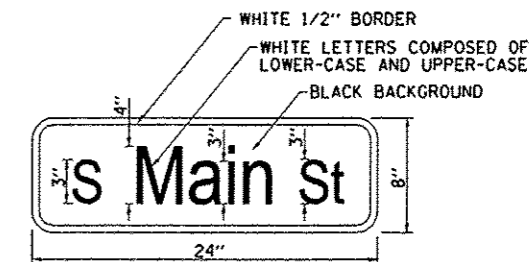


EXPANSION JOINT

TYPICAL SIDEWALK JOINT DETAILS
(NOT TO SCALE)

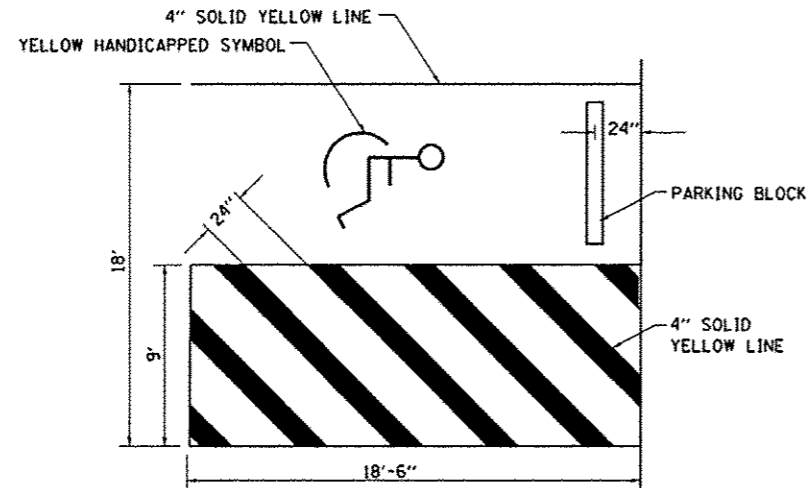


**E CHERRY ST, S METTER ST,
& E LIBERTY ST**

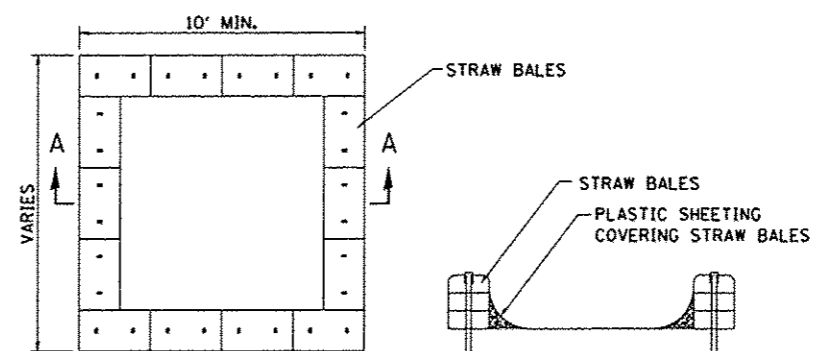


S MAIN ST

TYPICAL STREET SIGN (D3-1) DETAILS
(NOT TO SCALE)



TYPICAL HANDICAP PARKING STALL DETAIL
(NOT TO SCALE)



PLAN VIEW

SECTION A-A

CONCRETE WASHOUT DETAILS
(NOT TO SCALE)

FILE NAME * 0828812-shr-details.dgn	USER NAME * default PLOT TIME * 9:29:02 AM PLOT SCALE * 20.0000' / IN. PLOT DATE * 3/19/2013	DESIGNED - DRAWN - CHECKED - DATE -	REVISED - REVISED - REVISED - REVISED -	STATE OF ILLINOIS DEPARTMENT OF TRANSPORTATION	CONSTRUCTION DETAILS			F.A.U. RTE. 9308	SECTION 08-00046-00-PV	COUNTY MONROE	TOTAL SHEETS 37	SHEET NO. 28
					SCALE: N.T.S.	SHEET 4	OF 7 SHEETS	STA.	TO STA.	CONTRACT NO. 97518 [ILLINOIS] FED. AID PROJECT		